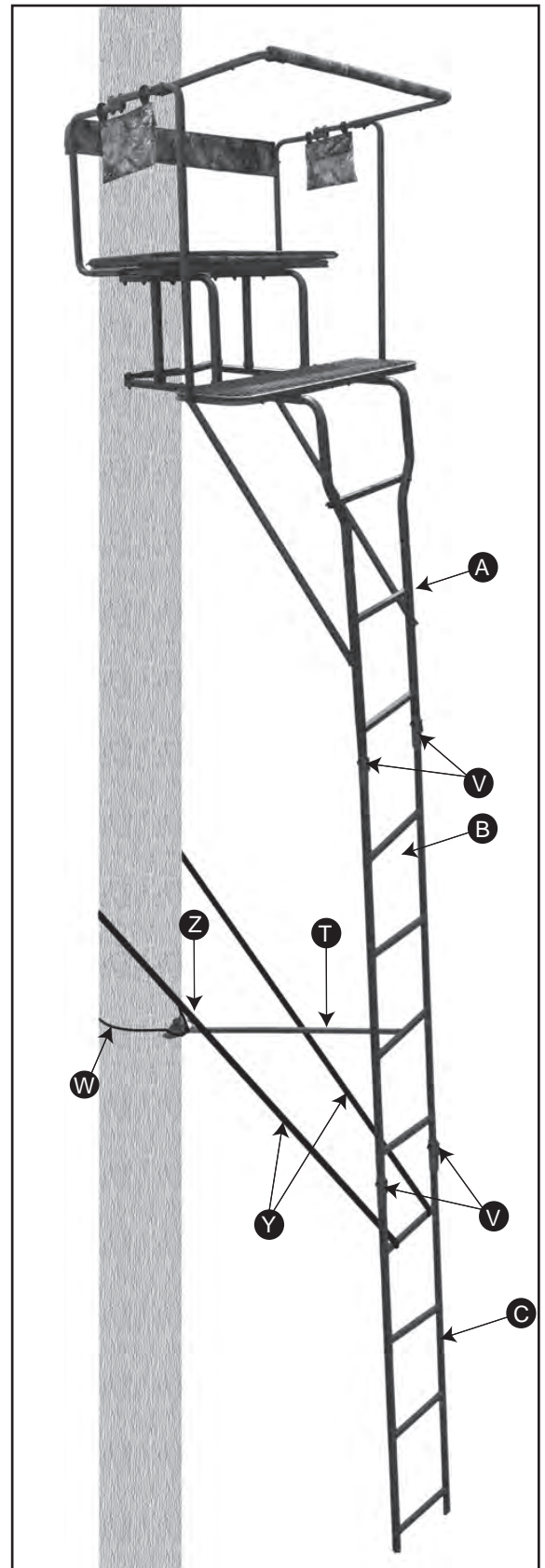
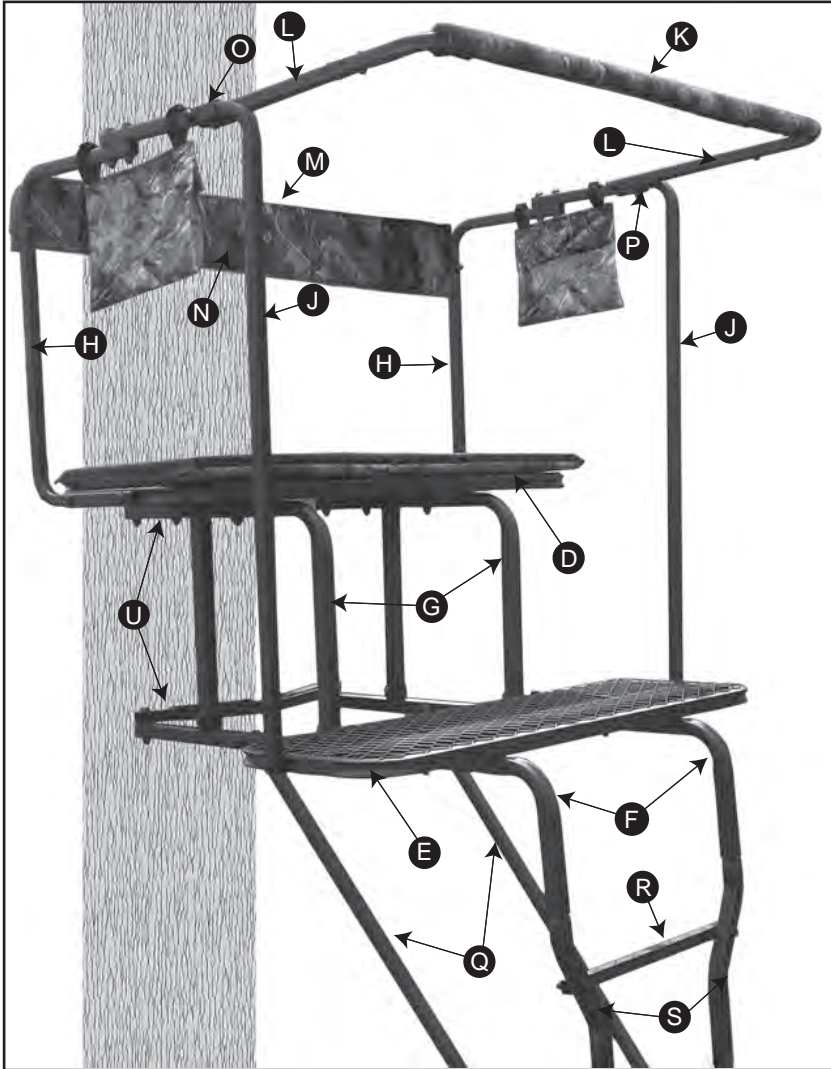


**MODEL: WMLS-500**  
**15ft Two-Man Ladderstand**

- Always Wear a Safety Harness with this Product
- Practice Using at Ground Level
- Weight Limit: 500 lbs.
- Tree Size: 9"-18" diameter

*Remington*®



**THANK YOU!** for purchasing the Remington 15ft Two-Man Ladderstand by Tahsin Industrial Corp USA.

**Warning**

**Every year serious injury and even death occurs from hunting related falls.** To ensure your safety, please **COMPLETELY** read and follow this safety manual and ALL warning labels **BEFORE** assembling, installing or utilizing this product.

DO NOT USE THIS PRODUCT BEFORE FULLY UNDERSTANDING ALL SAFETY WARNINGS AND INSTRUCTIONS. IF YOU HAVE QUESTIONS, ARE UNSURE ABOUT ANY INFORMATION OR NEED ADDITIONAL INFORMATION CONCERNING YOUR PRODUCT, CONTACT OUR CUSTOMER SERVICE DEPARTMENT AT 1-866-972-6168 OR VISIT [WWW.TREESTANDCUSTOMERSERVICE.COM](http://WWW.TREESTANDCUSTOMERSERVICE.COM). KEEP AND MAINTAIN THIS SAFETY AND INSTRUCTION MANUAL IN A SAFE LOCATION FOR FUTURE REFERENCE.

## TREESTAND SAFETY WARNINGS

Please read the following instruction manual and warnings labels completely before utilizing this tree stand. Failure to understand and execute the instructions and warnings may result in serious injury or death. In the event of an accident, have a plan for rescue, including the use of devices that may be easily reached while suspended. **NEVER** hunt without a rescue plan.

**ALWAYS** read all warnings and instructions before each use of this tree stand. Failure to read all warnings and instructions may result in serious injury or death.

**ALWAYS** wear a Full Body Safety Harness after leaving the ground. Failure to wear your Fall Arrest System (Harness) may result in serious injury or death.

**ALWAYS** use a Full Body Safety Harness when using this tree stand. This tree stand includes a TMA Certified Full Body Harness. The TMA Certified Full Body Harness must always be connected to yourself and the tree during ascending, hunting and descending. Single safety belts and chest harnesses are no longer allowed and should **NEVER** be used. If you are not wearing a full body harness properly attached to the tree that is protecting you from a fall, **DO NOT** leave the ground. Falls can occur at anytime after leaving the ground.

**ALWAYS** inspect the tree stand and the **Fall Arrest System (Harness)** for signs of wear or damage **BEFORE** each use. Also inspect to ensure that nuts and bolts are secure. Pay special attention to the harness and straps, guaranteeing that nothing has been frayed or severed. Destroy all products that cannot be repaired by the manufacturer. Contact a Customer Service Representative for replacement parts. The Fall Arrest System **MUST** be discarded and replaced after a fall has occurred.

**DO NOT** use tree stand if any nuts or bolts or parts are loose, bent, or crooked.

**NEVER** exceed total weight limit of **500 lbs.** **DO NOT** use if the total combined weight of one person with all of your hunting gear and any accessories exceeds **300 lbs.** or the combined weight of two people and equipment exceeds **500 lbs.** **DO NOT exceed the weight limit of the safety harness, refer to harness manufacturer's warnings for weight limit of safety harness.** Use of tree stand over the weight limit may result in serious injury or death.

**NEVER** let children play with or use this tree stand without adult supervision. This tree stand is not a toy.

**DO NOT** use this tree stand while under the influence of alcohol, medication or any illegal substances. Use of tree stand while under the influence of any of these substances may result in serious injury or death.

**NEVER** use this tree stand during inclement weather. **DO NOT** use tree stand during thunderstorms, snowstorms, hurricanes, tornadoes or any other weather conditions that include (but not limited to) lightning, icy conditions, or high winds that could create slippery or dangerous situations. End your hunt and return to the ground if inclement weather conditions arise.

**NEVER** use this tree stand if you have a history of health problems such as (but not limited to) heart problems, back problems, high blood pressure, impaired vision, equilibrium impairments, are afraid of heights, have been advised by a doctor or physician not to climb. If you are not physically fit, well rested, and alert, or if you have any other physical or mental condition that would impair your ability to properly use this tree stand.

**NEVER** use tree stand if you are feeling ill, nauseous, dizzy or if you have prior medical conditions that could cause a problem i.e., heart condition, joints that lock-up, spinal fusions, etc. or if you are not well rested and alert. Physical ailments can reduce your ability to safely install, utilize, and remove your tree stand. Please consult a physician prior to use.

**NEVER** wear jewelry or loose fitting clothing, which can cause hazardous conditions. Clothing may be caught in your equipment and cause you to fall. You must always wear non-slip or rubber boots. Shoelaces must be tucked into your boots. Rings and necklaces **MUST NOT** be worn.

**NEVER** use this tree stand on a tree that is dead, leaning, diseased, loose barked or on a utility pole as the tree may fall, break, or uproot and may result in serious injury or death.

**NEVER** transport any of your equipment with yourself while ascending or descending the tree. You will need to have two hands free during ascending and descending for safety. Use a haul line to pull up your firearm (unloaded, chamber opened with safety lock engaged, barrel facing towards the ground), bows, arrows, knives or any other equipment to your tree stand once you have reached your desired hunting height. **ONLY** pull up hunting equipment after the tree stand has been secured to the tree and after you and your harness have been secured to the tree. Prior to descending, lower your equipment on the opposite side of the tree from which you are climbing. Make sure that the unloaded firearm's safety lock is engaged and the gun barrel is pointing towards the ground.

**ALWAYS** hunt with a plan and a buddy. Before you leave home, let others know your exact location, when you plan to return and who is with you.

**ALWAYS** inform someone of the hunting location, where the treestand is located and the expected duration of the hunt.

**ALWAYS** attach your Full Body Harness in the manner and method described by the manufacturer. Beware of hazards associated with Full Body Harnesses and the fact that prolonged suspension in a harness may be fatal. Have in place a plan for rescue, including the use of cell phones, or signal devices that may be easily reached while suspended. If rescue personnel cannot be notified, you must have a plan for recover/escape. If you have to hang suspended for a period of time before help arrives, exercise your legs by pushing against the tree or doing any other form of continuous motion. Failure to recover in a timely manner could result in serious injury or death. If you do not have the ability to recover/escape, hunt from the ground.

**ALWAYS** carry emergency signal devices such as a cell phone, walkie-talkie, whistle, signal flare, PLD (personal location device) and flashlight with you at all times and within reach even while you are suspended in your harness. Watch for changing weather conditions. In the event of an accident, remain calm and seek help immediately.

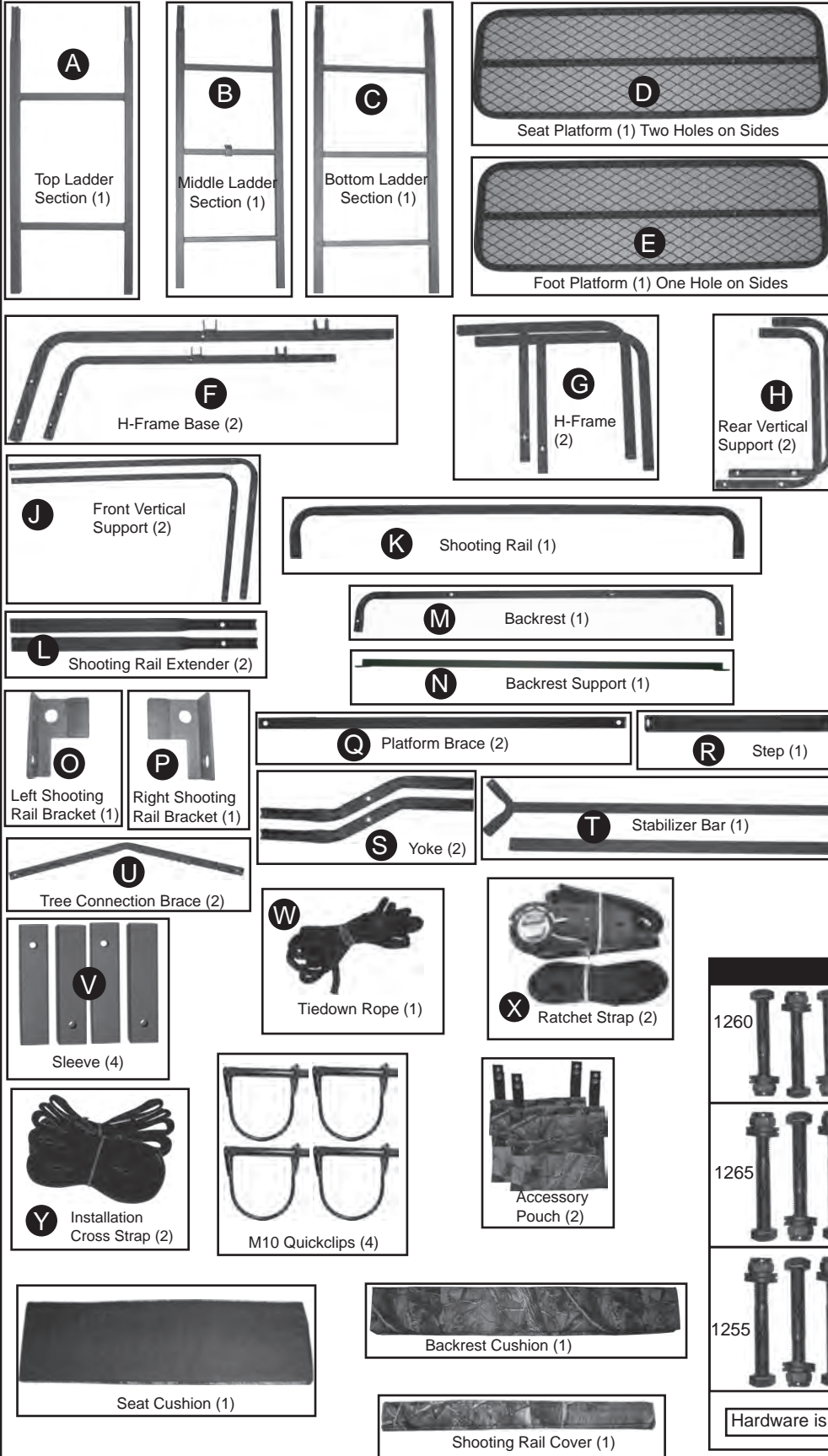
**NEVER** modify or alter your tree stand in anyway by making repairs, replacing parts, or altering, adding or attaching anything to it except if explicitly authorized by the manufacturer. Improper installation or adjustment may cause serious injury or death. Remove all contents from box. Inspect for any damaged or missing parts. If any parts are missing or damaged, you must only use certified replacement parts. Using any other replacement parts will void product warranty. **THERE ARE NO EXTRA PARTS.** All parts **MUST** be used to ensure the safety of you and your stand. If you think parts are missing or damaged, **STOP IMMEDIATELY** and contact our Customer Service Department. Using the tree stand with missing or damaged parts may result in serious injury or death. Contact a Customer Service Representative if you have any missing, damaged or extra parts.



# MODEL: WMLS-500

## 15ft. Two-Man Ladderstand

- Always Wear a Safety Harness with this Product
- Practice Using at Ground Level
- Weight Limit: 500 lbs.
- Tree Size: 9"-18" diameter



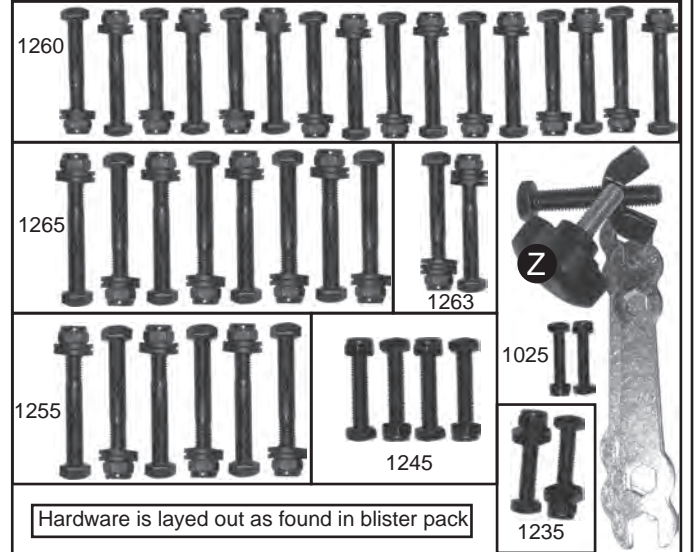
## Parts List

<b>A</b>	1 Top Ladder Section	Part # WL-5360
<b>B</b>	1 Middle Ladder Section	Part # WL-5030
<b>C</b>	1 Bottom Ladder Section	Part # WL-5050
<b>D</b>	1 Seat Platform	Part # WSP-505
<b>E</b>	1 Foot Platform	Part # WFP-505
<b>F</b>	2 H-Frame Base	Part # WHB-535
<b>G</b>	2 H-Frame	Part # WH-535
<b>H</b>	2 Rear Vertical Support	Part # WRVS-535
<b>J</b>	2 Front Vertical Support	Part # WFVS-535
<b>K</b>	1 Shooting Rail	Part # WSR-535
<b>L</b>	2 Shooting Rail Extender	Part # WSX-535
<b>M</b>	1 Backrest	Part # WBR-535
<b>N</b>	1 Backrest Support	Part # WBS-535
<b>O</b>	1 Left Shooting Rail Bracket	Part # WLB-840
<b>P</b>	1 Right Shooting Rail Bracket	Part # WRB-840
<b>Q</b>	2 Platform Brace	Part # WPB-535
<b>R</b>	1 Step	Part # WS-535
<b>S</b>	2 Yoke	Part # WYK-100
<b>T</b>	1 Stabilizer Bar	Part # WSB-500
<b>U</b>	2 Tree Connection Brace	Part # WTB-600
<b>V</b>	4 Sleeve	Part # WS-100
<b>W</b>	1 Tiedown Rope	Part # TR-1000
<b>X</b>	2 Ratchet Strap	Part # WRA-100
<b>Y</b>	2 Installation Cross Strap	Part # IS-1000
<b>Z</b>	1 Adjustment Knob	Part # AK-100
	1 Seat Cushion	Part # WSC-535
	1 Shooting Rail Cover	Part # WPSC-535
	1 Backrest Cushion	Part # WBC-500
	2 Accessory Pouch	Part # DAP-100

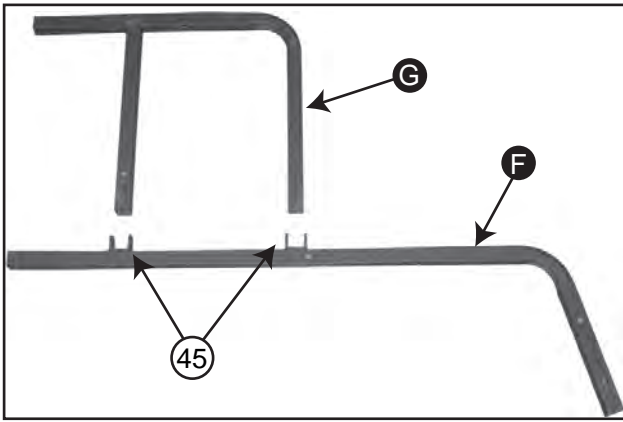
## Hardware

Ⓞ5	8 M12x65mm Bolt	Part # 1265
Ⓞ3	2 M12x60mm Bolt w/3 washers	Part # 1263
Ⓞ0	16 M12x60mm Bolt	Part # 1260
Ⓞ5	6 M12x55mm Bolt	Part # 1255
Ⓞ4	4 M12x45mm Bolt	Part # 1245
Ⓞ3	2 M12x35mm Bolt	Part # 1235
Ⓞ2	2 M10x25mm Bolt	Part # 1025
Ⓞ4w	1 M12x45mm w/wingnut	Part # 1245W
	2 Harness	Part # 2001
	4 M10 Quickclip	Part # 1615

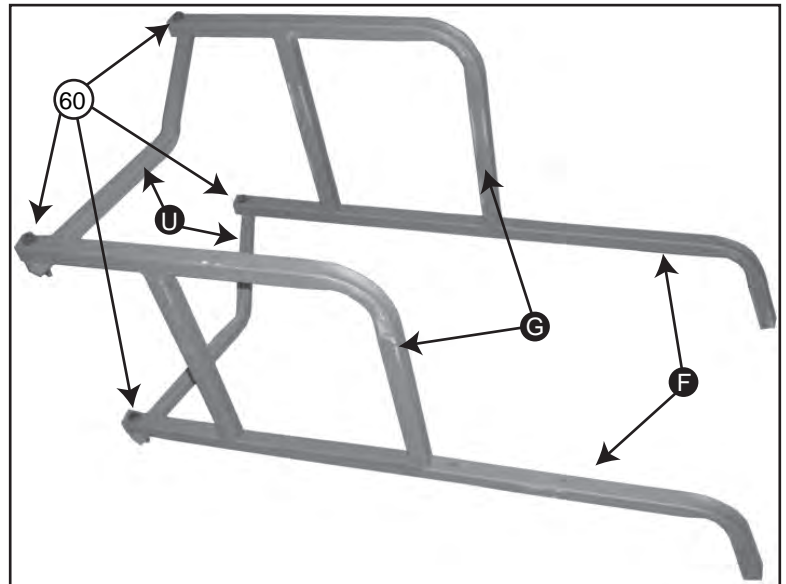
## Hardware Blister Pack



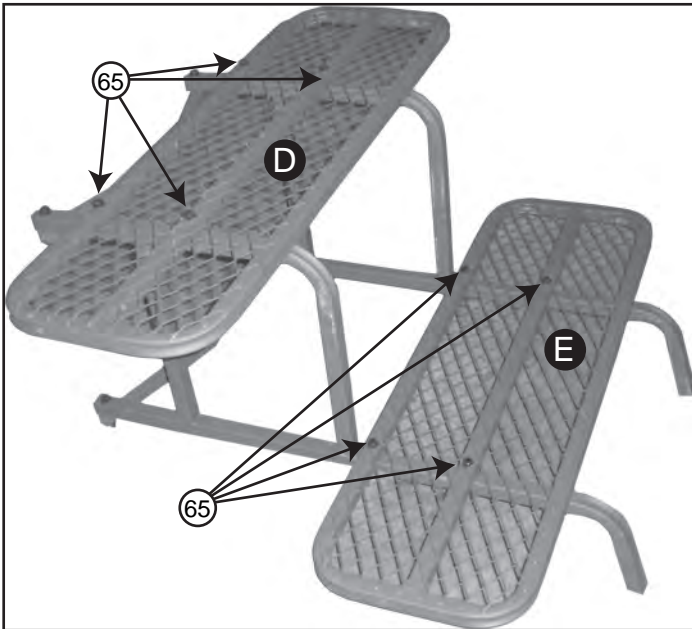
Hardware is layed out as found in blister pack



1. Attach H-Frame **G** to the brackets on H-Frame Base **F** using 2 - **M12x45mm bolts**.

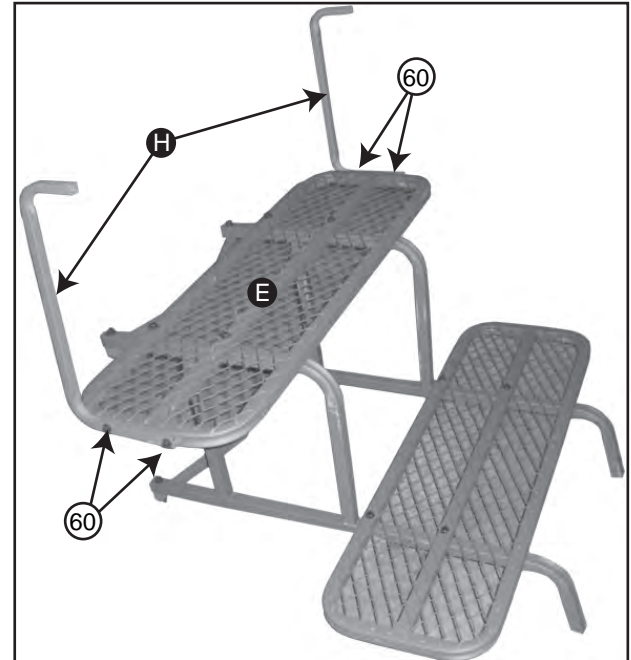


2. Attach one Tree Connection Brace **U** to the bottom of H-Frame **G** using 2 - **M12x60mm bolts** and attach the other Tree Connection Brace **U** to the bottom of H-Frame Base **F** using 2 - **M12x60mm bolts**.

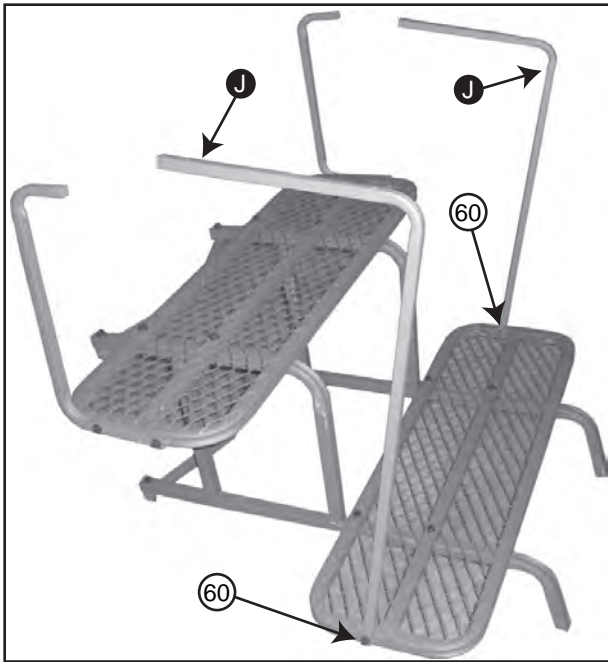


3. Attach Seat Platform **D** to the assembled H-Frames using 4 - **M12x65mm bolts**. The Seat Platform has 2 holes on the sides.

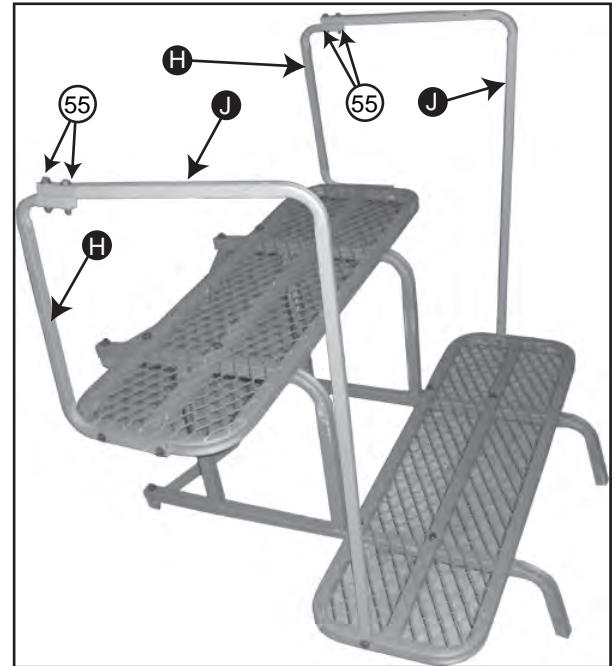
Attach Foot Platform **E** to the assembled H-Frame Bases using 4-**M12x65mm bolts**. The Foot Platform has 1 hole on the sides.



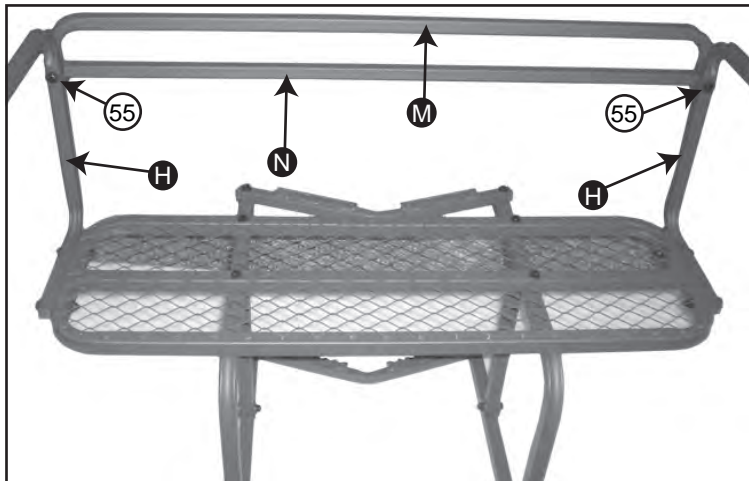
4. Attach both Rear Vertical Supports **G** to the sides of Top Platform **E** using 2-**M12x60mm bolts** for each side.



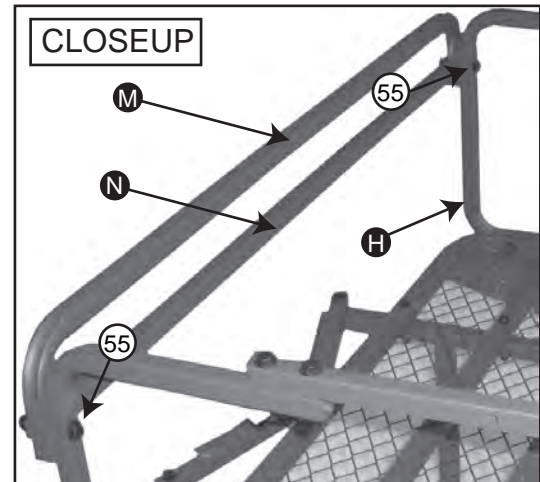
5. Attach both Front Vertical Supports **J** to the side of Foot Platform **E** using **1-M12x60mm bolt** on each side.



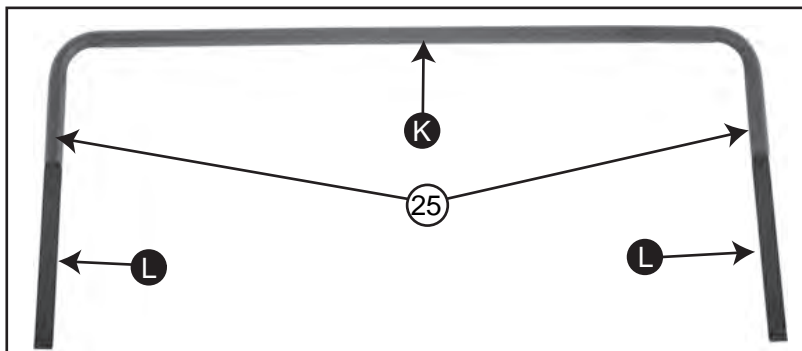
6. Attach Front Vertical Supports **J** to each Rear Vertical Support **H** using **2-M12x55mm bolts** on each side.



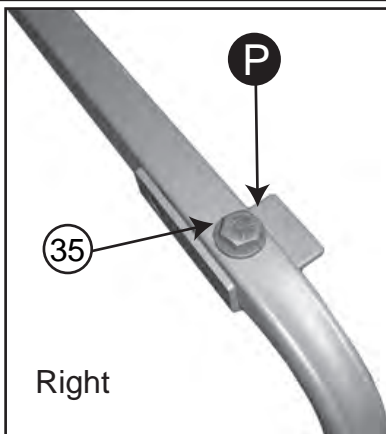
7. Attach Backrest **M** through Backrest Support **N** to each Rear Vertical Support **H** using **1-M12x55mm bolt** on each side.



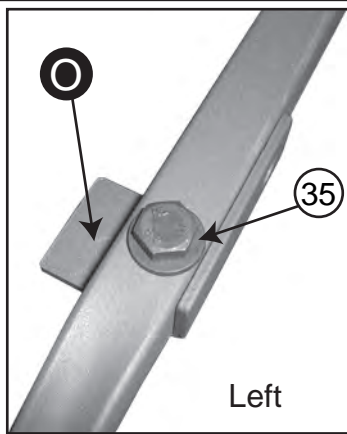
Insert the bolt through the Rear Vertical Support **H**, then through the Backrest **M**, and finally through the Backrest Support **N**. Tighten the nut.



8. Attach each Shooting Rail Extender **L** into Shooting Rail **K** by inserting extender into shooting rail and securing with **1-M10x25mm bolt** on each side.



Right

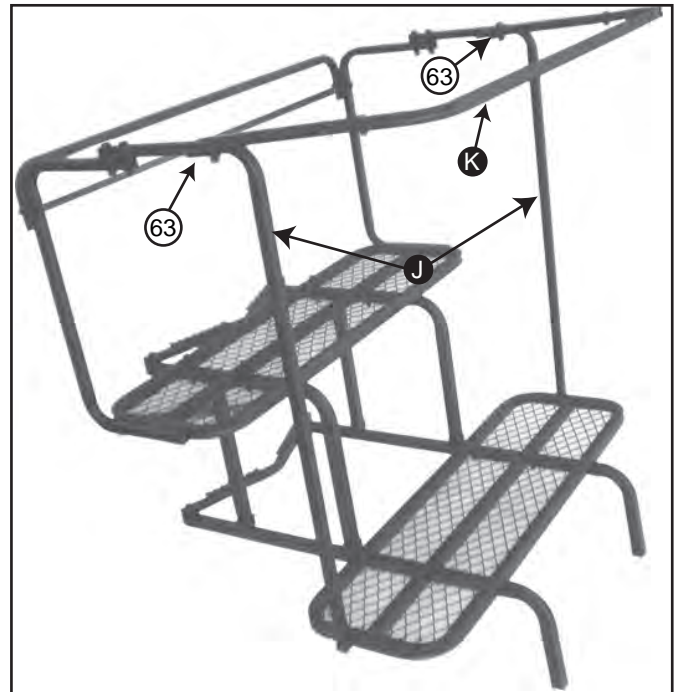


Left

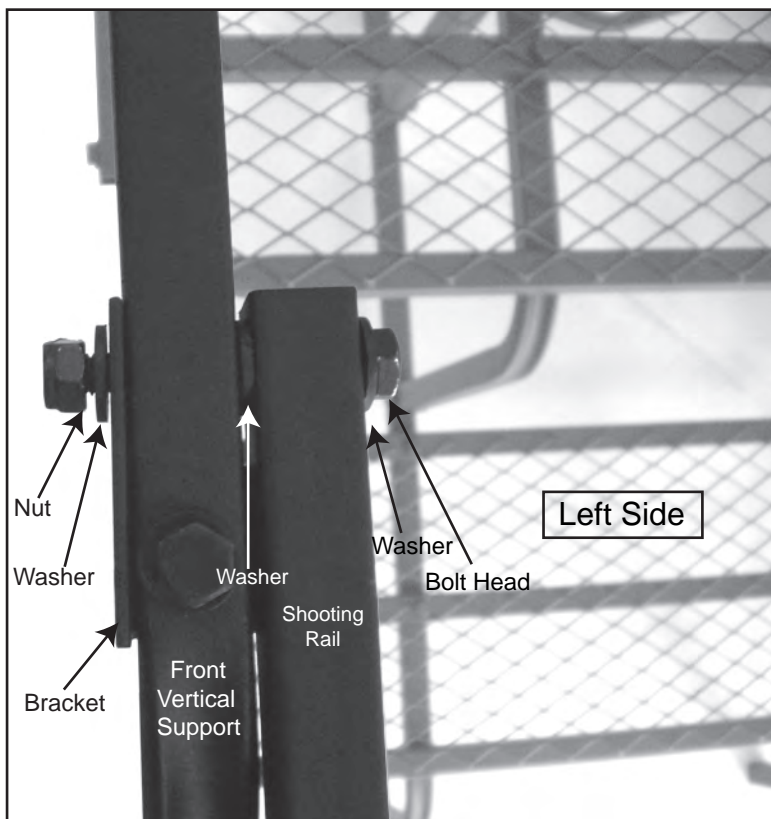
9. Attach Right Shooting Rail Bracket **P** to the Right Side Front Vertical Support **J** using 1 - **M12x35mm bolt**.

10. Attach Left Shooting Rail Bracket **O** to the Left Side Front Vertical Support **J** using 1 - **M12x35mm bolt**.

The pad on the bracket will be on the inside of the stand.



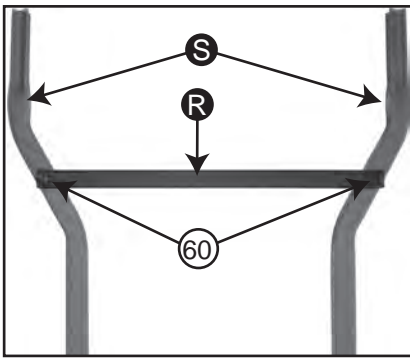
11. Attach assembled Shooting Rail **H** to the Front Vertical Supports **C** through the Shooting Rail Brackets using 1 - **12x60mm bolt w/3 washers** on each side. (See adjacent photo for proper installation order.)



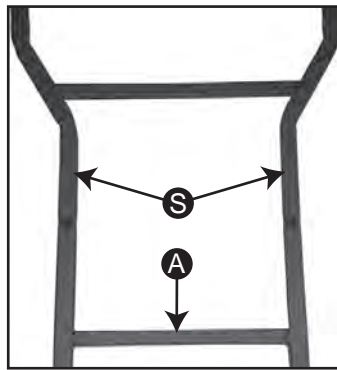
Left Side



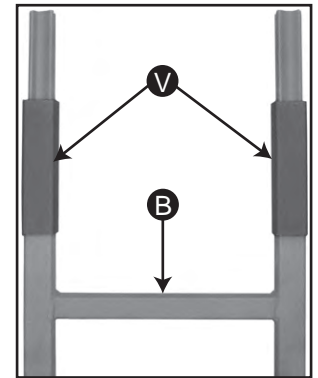
12. Attach Shooting Rail Cover to Shooting Rail.  
Attach Seat Cushion to Seat Platform.  
Attach Backrest Cushion to Backrest.  
Attach Accessory Pouches to Sides.



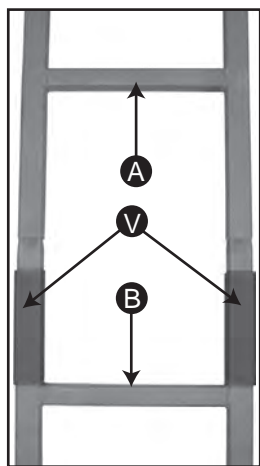
13. Attach Step **R** to both Yokes **S** using **1-M12x60mm bolt** on each side.



14. Slide Top Ladder Section **A** into Yokes **S**.



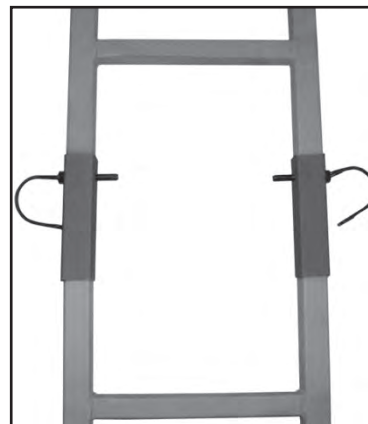
15. Slide Sleeves **V** over the crimps of Ladder Section **B**.



16. Insert Ladder Section **B** into Top Ladder Section **A**.



17. Slide the Sleeves over the joint where ladder sections are connected.



18. Insert **1 - Quickclip** through the hole on the sleeve, and through the ladder sections on each side of the ladder.



19. Close the quickclip to secure the ladder sections together.

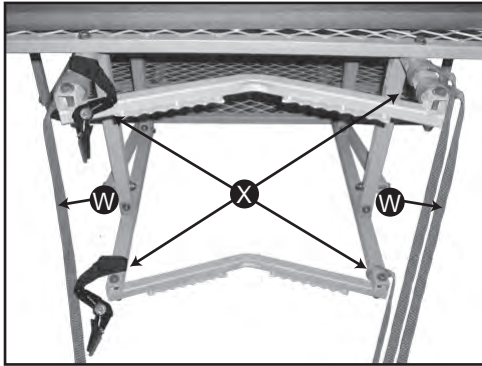
20. Follow **Steps 15-19** to attach the bottom section to the middle section.



21. Attach Platform Brace **Q** to the outside of H-Frame Base **F** using **1-M12x60mm bolt** on each side.

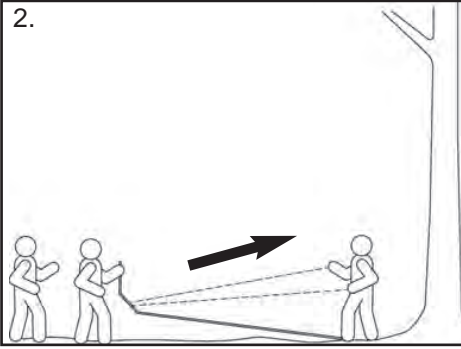
Attach the other end of Platform Brace **Q** to Top Ladder Section **A** underneath the first rung using **1-M12x60mm bolt** on each side.

**NOTE:** NOW THAT TREESTAND IS ASSEMBLED MAKE SURE TO TIGHTEN ALL HARDWARE

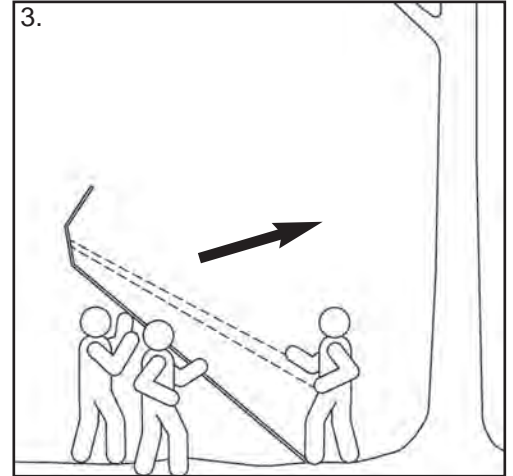


1. Attach Ratchet Strap **X** to the outermost corners of each Tree Connection Brace. (See Ratchet Instructions)

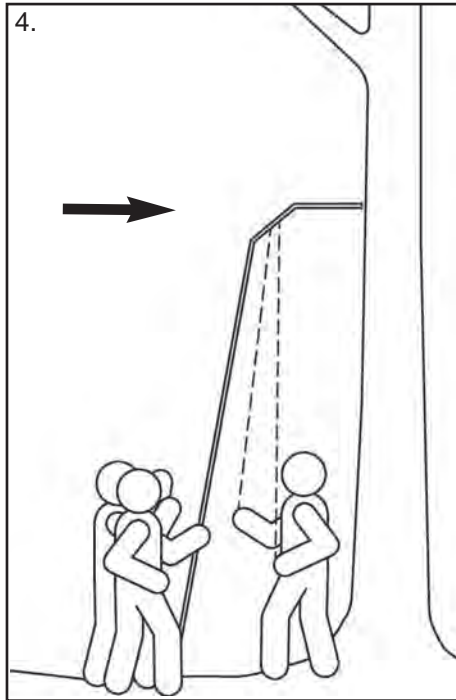
Attach Installation Straps **W** behind the upper tree connection brace. (See Installation Strap Instructions).



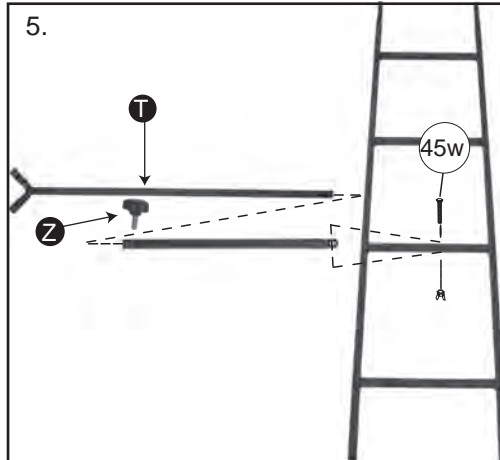
2. Position bottom of stand 4-5 feet from base of tree.



3. One person will stand at the base of ladder with his/her foot on bottom rung while holding installation straps. This will prevent tree stand from sliding. Two people will stand at opposite ends of tree stand, facing Platform and slowly walk tree stand upward using rungs of ladder.

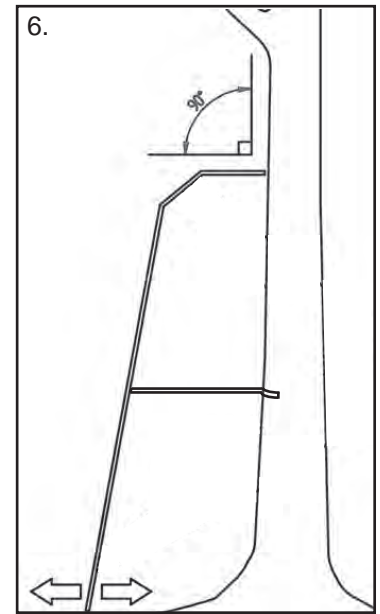


4. As tree stand is being raised, the person holding Installation Straps will pull toward himself to take up slack. It will steady and ease the weight of stand on the other two people. Continue walking stand upward, until Tree Contact is resting against the tree.



5. Slide the inner part of the Stabilizer Bar into the outer part. Attach Stabilizer Bar **T** to the second rung of the Middle Ladder Section with 1 - **M12x45w bolt and 1 wingnut**.

Insert the Adjustment Knob **Z** in the Stabilizer bar at the proper adjustment point to the tree.

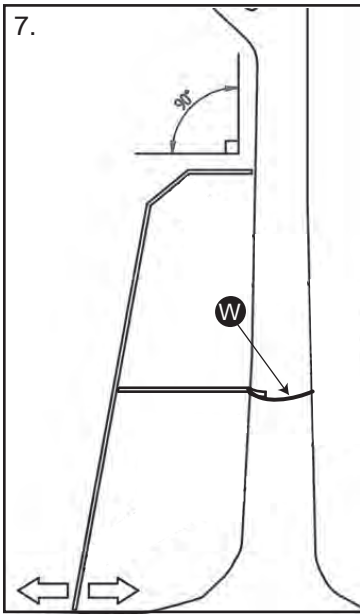


6. Move base of ladder toward or away from tree slightly in order to make Platform as parallel to the ground as possible.

Apply your full weight to the first step so it settles into the ground.

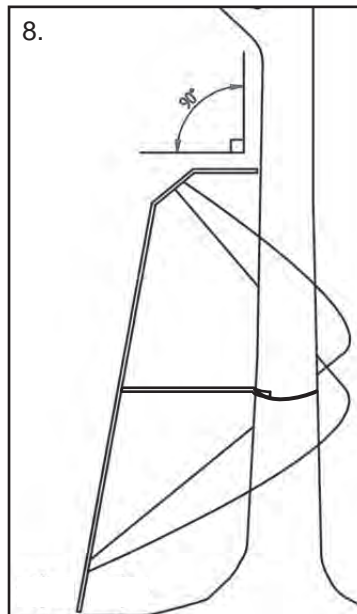
**NOTE:** Drawings are for illustration purposes only and may not depict actual product.

**WARNING** Installation Straps and Stabilizer Bar **MUST** be secured prior to climbing the tree stand.



7. Attach Tiedown Rope **W** just behind the brace of the inner part of Stabilizer Bar **T**.

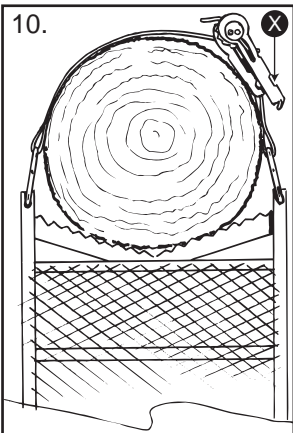
Position the Stabilizer Bar against the tree and secure it by wrapping the rope around the back of the tree once and tie it to itself.



8. Cross Installation Straps behind tree. Attach to bottom ladder section by following the **Installation Strap Instructions**.



9. After the ladder stand has been secured to the tree with the installation straps, and the stabilizer bar has been securely attached to the tree, continue to have two people hold the ladder, climb cautiously up to the platform. Once you reach the top, **IMMEDIATELY ATTACH YOUR SAFETY HARNESS TO THE TREE**. Keep the tether strap above your head.



10. Cautiously climb to the top of the treestand. Wrap the strap of the ratchet around the back of the tree and thread it through the ratchet. (See Detailed Ratchet Instructions Below).

### **! WARNING**

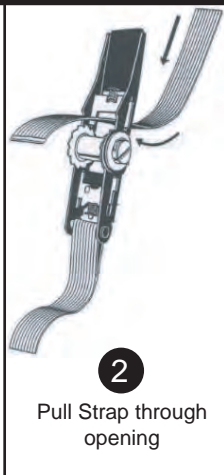
Installation Straps and Stabilizer Bar **MUST** be secured prior to climbing the tree stand.

## Detailed Ratchet Strap Instructions



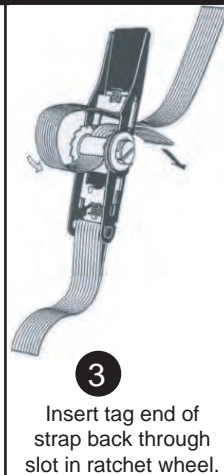
**1**

Open ratchet handle flat and insert end of strap through opening.



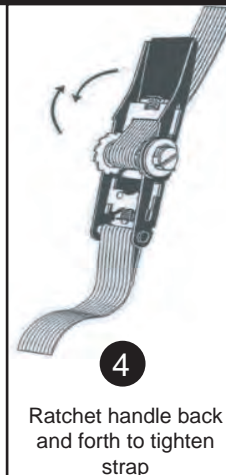
**2**

Pull Strap through opening



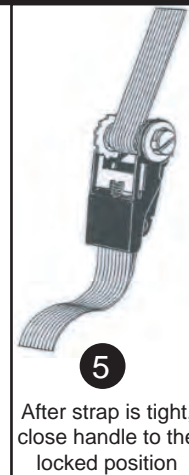
**3**

Insert tag end of strap back through slot in ratchet wheel.



**4**

Ratchet handle back and forth to tighten strap



**5**

After strap is tight, close handle to the locked position



**6**

To release tension, push spring loaded retaining lock and simultaneously pull on strap.

**! WARNING** DO NOT sit on seat platform until the ratchet has been secured.

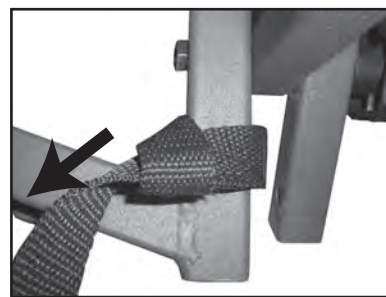
# Installation Strap Instructions



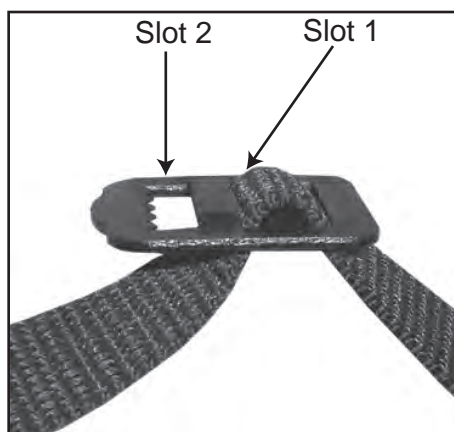
1. Place looped end of strap under platform.



2. Insert loose end of strap through the loop.



3. Pull to tighten. Continue with these steps to install the other strap on the other side of the platform.



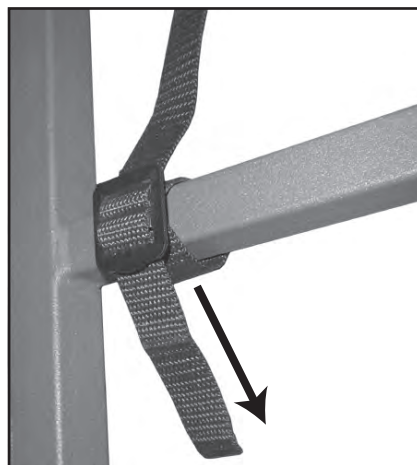
4. Place loose end of strap with clip, under the top rung of the bottom ladder section.



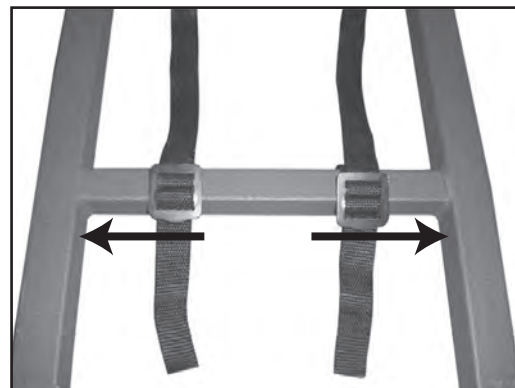
5. Insert the strap through Slot 1 on the clip.



6. Insert the strap through the Slot 2 with the teeth.



7. Pull strap to tighten.

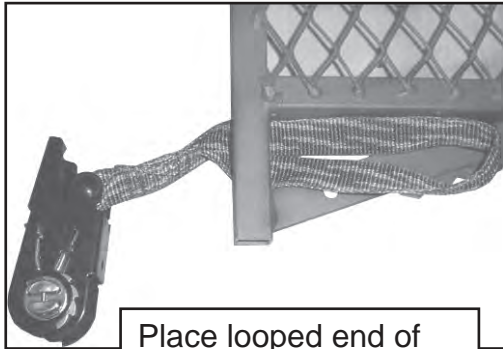


8. Slide the buckles out to the sides to create tension on the straps.

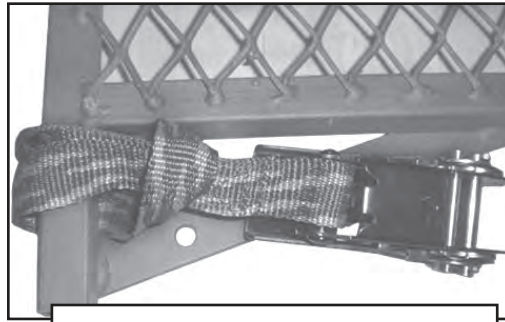
**⚠ WARNING** DO NOT sit on seat platform until the ratchet and installation straps have been secured.

# Ratchet Strap Instructions

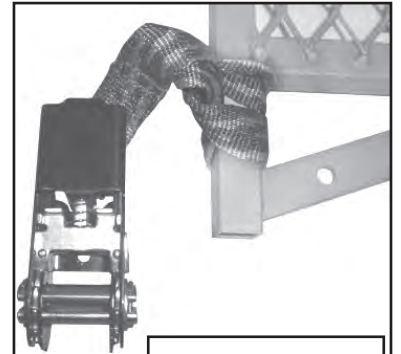
You **MUST** follow these instructions prior to installation



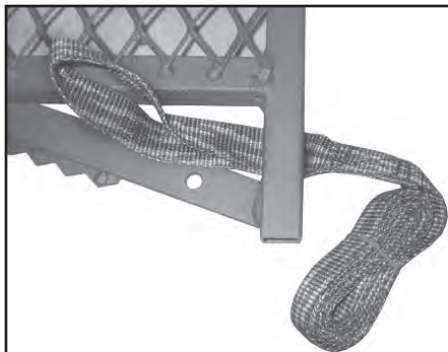
Place looped end of Ratchet under platform



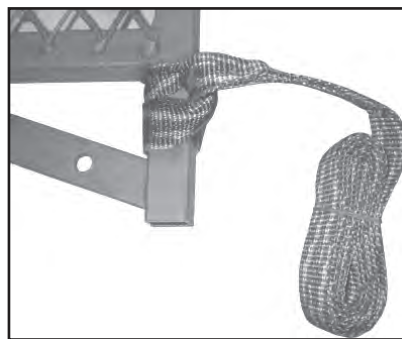
Insert ratchet through loop



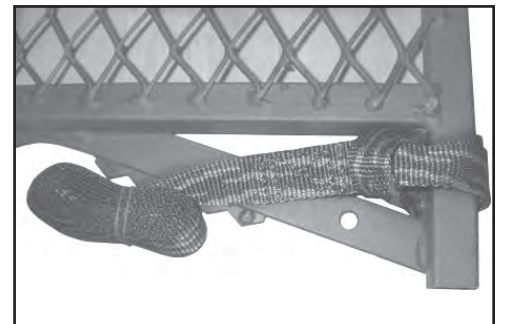
Pull to tighten



Place looped end of strap under platform

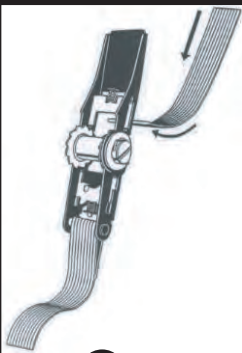


Insert strap through loop



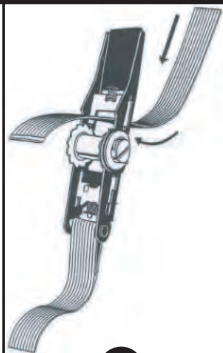
Pull to tighten

## Detailed Ratchet Strap Instructions



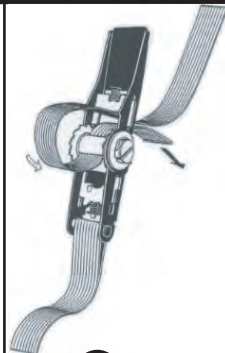
1

Open ratchet handle flat and insert end of strap through opening.



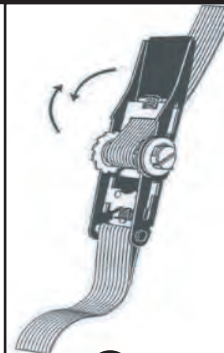
2

Pull Strap through opening



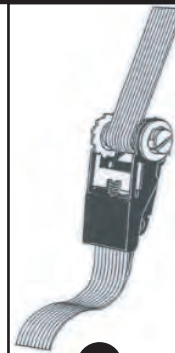
3

Insert end of strap through slot in ratchet wheel.



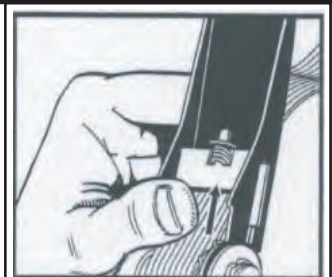
4

Ratchet handle back and forth to tighten strap



5

After strap is tight, close handle to the locked position



6

To release tension, push spring loaded retaining lock and simultaneously pull on strap.



# WARNING

**ALWAYS** read and understand all warnings and instructions before each use of this product. Failure to read and understand all warnings and instructions may result in serious injury or death.

**ALWAYS** inspect the tree stand for signs of wear or damage **BEFORE** each use. Also inspect to ensure that nuts and bolts are secure and straps are not frayed, worn, or broken.

**DO NOT** use treestand if combined weight of one person and equipment exceeds **300 lbs.** or combined weight of two people and equipment exceed **500 lbs. DO NOT exceed the weight limit of safety harness, refer to harness manufacturers warnings for weight limit of safety harness.**

**ALWAYS** wear a Fall Arrest System (FAS) that meets TMA standards after leaving the ground. If you are not wearing an FAS, **DO NOT leave the ground.** Failure to wear an FAS may result in serious injury or death.

**DO NOT** use this tree stand while under the influence of alcohol, medication, or illegal substances. Use of tree stand while under the influence of any of these substances may result in serious injury or death.

**NEVER** use this tree stand if you have a history of health problems such as (*but not limited to*) heart problems, back problems, impaired vision, equilibrium impairments are afraid of heights or have been advised by a doctor not to do any strenuous activity. If you are feeling ill, nauseous, or dizzy **DO NOT** use this tree stand or If you are not physically fit, well rested and alert. Physical ailments can reduce your ability to safely install, utilize and remove your tree stand.

**NEVER** use this tree stand during inclement weather such as (but not limited to) thunderstorms, snowstorms, hurricanes, icy conditions, or high winds that could create slippery or dangerous situations.

**DO NOT** modify or alter your tree stand.

**NEVER** use this tree stand on a dead, leaning, loose barked tree or on a utility pole as the tree may fall, break, or uproot and may result in serious injury or death.

**NEVER** leave the ground without checking every ladder section connection to ensure they are firmly connected. If ladder sections are separating, with the help of at least two other people, remove the tree stand from the tree, tighten all connections and reinstall on the tree.

**NEVER** step up to the platform. Climbing aids such as stick ladders, **MUST** extend above the platform of the hang-on to allow the user to step down on the platform. The Full Body Harness **MUST always** be attached to the tree even when stepping down into the tree stand.

**NEVER** remove or deface warning labels.