

# ALL SEASON DELUXE 17' LADDER TREESTAND

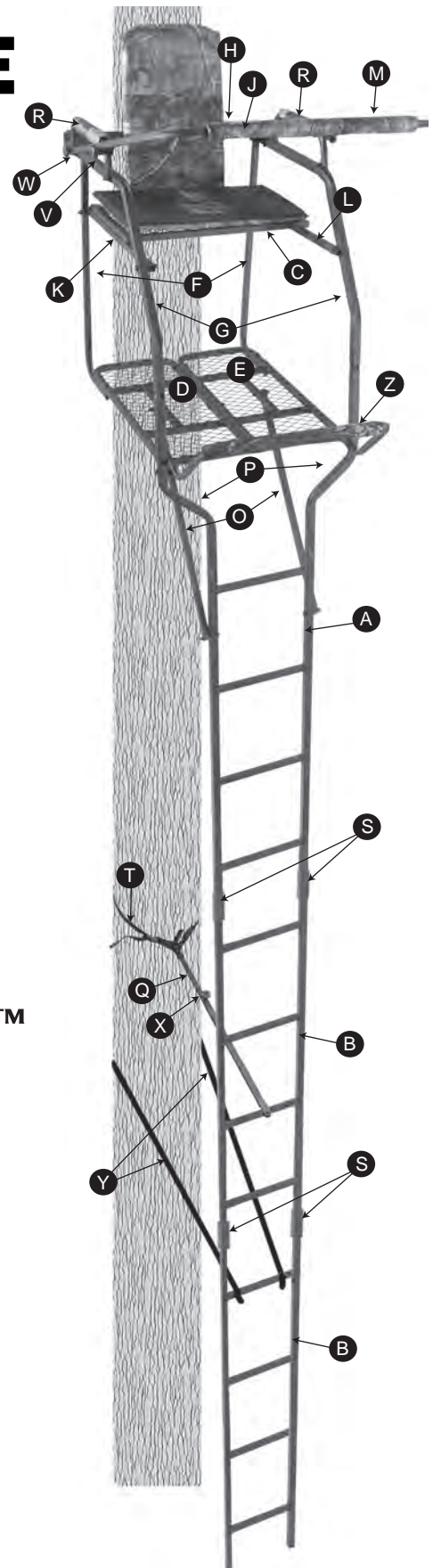
MODEL: HEH00533

- Always Wear a Safety Harness with this Product
- Practice Using at Ground Level
- Weight Limit: 300 lbs.
- Tree Size: 9"-18" diameter

*Instruction and Safety Manual*



**FIELD & STREAM™**  
1871



**THANK YOU!** for purchasing the All Season Deluxe  
17' Ladderstand by Primal Vantage Company Inc.

**⚠ Warning**

**Every year serious injury and even death occurs from hunting related falls.** To ensure your safety, please **COMPLETELY** read and follow this safety manual and ALL warning labels **BEFORE** assembling, installing or utilizing this product.

DO NOT USE THIS PRODUCT BEFORE FULLY UNDERSTANDING ALL SAFETY WARNINGS AND INSTRUCTIONS. IF YOU HAVE QUESTIONS, ARE UNSURE ABOUT ANY INFORMATION OR NEED ADDITIONAL INFORMATION CONCERNING YOUR PRODUCT, CONTACT OUR CUSTOMER SERVICE DEPARTMENT AT 1-866-972-6168 OR VISIT [WWW.TREESTANDCUSTOMERSERVICE.COM](http://WWW.TREESTANDCUSTOMERSERVICE.COM). KEEP AND MAINTAIN THIS SAFETY AND INSTRUCTION MANUAL IN A SAFE LOCATION FOR FUTURE REFERENCE.

## TREESTAND SAFETY WARNINGS

Please read the following instruction manual and warnings labels completely before utilizing this tree stand. Failure to understand and execute the instructions and warnings may result in serious injury or death. In the event of an accident, have a plan for rescue, including the use of devices that may be easily reached while suspended. **NEVER** hunt without a rescue plan.

**ALWAYS** read all warnings and instructions before each use of this tree stand. Failure to read all warnings and instructions may result in serious injury or death.

**ALWAYS** wear a Full Body Safety Harness after leaving the ground. Failure to wear your Fall Arrest System (Harness) may result in serious injury or death.

**ALWAYS** use a Full Body Safety Harness when using this tree stand. This tree stand includes a TMA Certified Full Body Harness. The TMA Certified Full Body Harness must always be connected to yourself and the tree during ascending, hunting and descending. Single safety belts and chest harnesses are no longer allowed and should **NEVER** be used. If you are not wearing a full body harness properly attached to the tree that is protecting you from a fall, **DO NOT** leave the ground. Falls can occur at anytime after leaving the ground.

**ALWAYS** inspect the tree stand and the **Fall Arrest System** (Harness) for signs of wear or damage **BEFORE** each use. Also inspect to ensure that nuts and bolts are secure. Pay special attention to the harness and straps, guaranteeing that nothing has been frayed or severed. Destroy all products that cannot be repaired by the manufacturer. Contact a Customer Service Representative for replacement parts. The Fall Arrest System **MUST** be discarded and replaced after a fall has occurred.

**DO NOT** use tree stand if any nuts or bolts or parts are loose, bent, or crooked.

**NEVER** exceed total weight limit of **300 lbs.** **DO NOT** use if your combined weight with all of your hunting gear and any accessories exceeds **300 lbs.** Use of tree stand over the weight limit may result in serious injury or death.

**NEVER** let children play with or use this tree stand without adult supervision. This tree stand is not a toy.

**DO NOT** use this tree stand while under the influence of alcohol, medication or any illegal substances. Use of tree stand while under the influence of any of these substances may result in serious injury or death.

**NEVER** use this tree stand during inclement weather. **DO NOT** use tree stand during thunderstorms, snowstorms, hurricanes, tornadoes or any other weather conditions that include (but not limited to) lightning, icy conditions, or high winds that could create slippery or dangerous situations. End your hunt and return to the ground if inclement weather conditions arise.

**NEVER** use this tree stand if you have a history of health problems such as (but not limited to) heart problems, back problems, high blood pressure, impaired vision, equilibrium impairments, are afraid of heights, have been advised by a doctor or physician not to climb. If you are not physically fit, well rested, and alert, or if you have any other physical or mental condition that would impair your ability to properly use this tree stand.

**NEVER** use tree stand if you are feeling ill, nauseous, dizzy or if you have prior medical conditions that could cause a problem i.e., heart condition, joints that lock-up, spinal fusions, etc. or if you are not well rested and alert. Physical ailments can reduce your ability to safely install, utilize, and remove your tree stand. Please consult a physician prior to use.

**NEVER** wear jewelry or loose fitting clothing, which can cause hazardous conditions. Clothing may be caught in your equipment and cause you to fall. You must always wear non-slip or rubber boots. Shoelaces must be tucked into your boots. Rings and necklaces **MUST NOT** be worn.

**NEVER** use this tree stand on a tree that is dead, leaning, diseased, loose barked or on a utility pole as the tree may fall, break, or uproot and may result in serious injury or death.

**NEVER** transport any of your equipment with yourself while ascending or descending the tree. You will need to have two hands free during ascending and descending for safety. Use a haul line to pull up your firearm (unloaded, chamber opened with safety lock engaged, barrel facing towards the ground), bows, arrows, knives or any other equipment to your tree stand once you have reached your desired hunting height. **ONLY** pull up hunting equipment after the tree stand has been secured to the tree and after you and your harness have been secured to the tree. Prior to descending, lower your equipment on the opposite side of the tree from which you are climbing. Make sure that the unloaded firearm's safety lock is engaged and the gun barrel is pointing towards the ground.

**ALWAYS** hunt with a plan and a buddy. Before you leave home, let others know your exact location, when you plan to return and who is with you.

**ALWAYS** inform someone of the hunting location, where the treestand is located and the expected duration of the hunt.

**ALWAYS** attach your Full Body Harness in the manner and method described by the manufacturer. Beware of hazards associated with Full Body Harnesses and the fact that prolonged suspension in a harness may be fatal. Have in place a plan for rescue, including the use of cell phones, or signal devices that may be easily reached while suspended. If rescue personnel cannot be notified, you must have a plan for recover/escape. If you have to hang suspended for a period of time before help arrives, exercise your legs by pushing against the tree or doing any other form of continuous motion. Failure to recover in a timely manner could result in serious injury or death. If you do not have the ability to recover/escape, hunt from the ground.

**ALWAYS** carry emergency signal devices such as a cell phone, walkie-talkie, whistle, signal flare, PLD (personal location device) and flashlight with you at all times and within reach even while you are suspended in your harness. Watch for changing weather conditions. In the event of an accident, remain calm and seek help immediately.

**NEVER** modify or alter your tree stand in anyway by making repairs, replacing parts, or altering, adding or attaching anything to it except if explicitly authorized by the manufacturer. Improper installation or adjustment may cause serious injury or death. Remove all contents from box. Inspect for any damaged or missing parts. If any parts are missing or damaged, you must only use certified replacement parts. Using any other replacement parts will void product warranty. **THERE ARE NO EXTRA PARTS.** All parts **MUST** be used to ensure the safety of you and your stand. If you think parts are missing or damaged, **STOP IMMEDIATELY** and contact our Customer Service Department. Using the tree stand with missing or damaged parts may result in serious injury or death. Contact a Customer Service Representative if you have any missing, damaged or extra parts.

## TREESTAND SAFETY WARNINGS

**PRACTICE** installing, adjusting and using your tree stand at ground level prior to using it at an elevated position.

**ALWAYS** step firmly on the first rung of the bottom ladder section to set the ladder into the ground before proceeding to climb the ladder.

**NEVER** use homemade or permanently elevated stands or make modifications to a purchased tree stand.

**ALWAYS** have a minimum of three people present when installing or removing this tree stand.

**ALWAYS** know your physical limitations. Don't take chances. If you start thinking about how high you are, don't go any higher. Instead, choose a minimum height that will allow for safe, effective and comfortable hunting.

**NEVER** use this tree stand for any use other than hunting. Our tree stands are designed for hunters to wear a Full Body Harness. If you are not completely comfortable and confident with your ability to safely install, ascend, hunt and descend using this treestand and a Full Body Safety Harness, **DO NOT PROCEED.**

**ALWAYS** lean **forward towards the tree** as you climb and attach your harness to the tree before securing the platform to the tree and stepping onto the platform.

**NEVER** lean out from the tree stand for any reason.

**NEVER** use this treestand for trimming trees.

**NEVER** rely on a branch for support.

**NEVER** jump or bounce on the tree stand's platforms or ladder sections to seat it to the tree.

**NEVER** fall asleep in your tree stand as you may fall out resulting in serious injury or death.

**NEVER** adjust your tree stand while in use. **ALWAYS** ensure that you and your tree stand are safely secured to a healthy tree. Your tree stand **MUST** be attached tightly to the tree and secured in place. If the stand is not secure, it may shift while in use, resulting in serious injury or death.

**ALWAYS** maintain three points of contact when climbing the tree stand. (Two feet, one hand **or** one foot, two hands)

Instructions should be kept in a safe place and reviewed before each use. It is the responsibility of the treestand owner to furnish the complete instructions to anyone who borrows or purchases the tree stand from you.

**ALWAYS** be sure to retighten all bolts **BEFORE** each new use of tree stand.

**DO NOT** leave your tree stand outside. It must be stored inside when not in use.

The Installation Cross Straps and Stabilizer Bar **MUST** be properly installed before each use of treestand.

**ALWAYS** inspect every ladder section connection every time you use the tree stand before leaving the ground. If the ladder sections are separating, with the help of three other people remove the tree stand from the tree and reinstall.

**ALWAYS** check the ground under the tree stand to make sure it is firm and level. Sloping ground or uneven surfaces (one side of a rock or root) can cause your tree stand to tilt or shift off the tree.

**ALWAYS** read and understand all warnings and instructions before each use of tree stand. Failure to read and understand all warnings and instructions may result in serious injury or death.

**NEVER** use this tree stand with a second person. The product is designed for use by **ONE** person **ONLY.**

Read and understand manufacturer's warnings, expiration date (if applicable) and instructions on how to properly adjust the harness.

**PRACTICE** using the Full Body Safety Harness at ground level in the presence of a responsible adult to experience the feeling of hanging suspended before using in a hunting environment.

There is time to make a correct decision on what action to take if a fall occurs while wearing a Full Body Harness. It is important to remember do not panic. Remain calm and implement your practiced rescue, relief and recovery plan.

## ! WARNING

**DO NOT** use this ladderstand without reading and following all warnings and instructions before each use. Failure to do so may result in serious injury or death.

**ALWAYS** inspect your ladderstand before each use. **DO NOT** use if parts are missing, worn, or damaged.

**ALWAYS** wear a Full Body Harness while using this ladderstand. Failure to wear a full body harness while using this ladderstand may result in serious injury or death.

**DO NOT** exceed the ladderstand's 300 lbs. weight limit which includes your body weight as well as the weight of your clothes and gear. Exceeding the ladderstand's weight limit may cause the treestand to break or fail resulting in serious injury or death.

**NEVER** stand on treestand seat or arms. Lifting or dropping of these parts may cause the treestand to break or fail resulting in serious injury or death.

**NEVER** alter, modify, or damage the ladderstand. **NEVER** use on wet, uneven, or sloping ground. The tree may fall, break, or root may be exposed resulting in serious injury or death.

**NEVER** use ladderstand if you have dizzy spells, a heart problem, are afraid of heights, have been advised by a doctor or other health care provider not to climb, or have any condition that would impair your ability to climb up or down or use treestand as it could result in serious injury or death.

**NEVER** use ladderstand during inclement weather. **DO NOT** use treestand during thunderstorms or any other weather conditions including (but not limited to) lightning, freezing rain, high wind that could create slippery or dangerous conditions.

**DO NOT** use ladderstand under the influence of alcohol, drugs, or medication. Using ladderstand under the influence of alcohol, drugs, or medication may result in serious injury or death.

**NEVER** use ladderstand if you have dizzy spells, a heart problem, are afraid of heights, have been advised by a doctor or other health care provider not to climb, or have any condition that would impair your ability to climb up or down or use treestand as it could result in serious injury or death. **NEVER** remove or deface ladderstand warning labels. Replacement labels can be obtained from the address below.

**NEVER** remove any safety warning stickers from this product.

**Safety must be your first priority during the use of this product.**

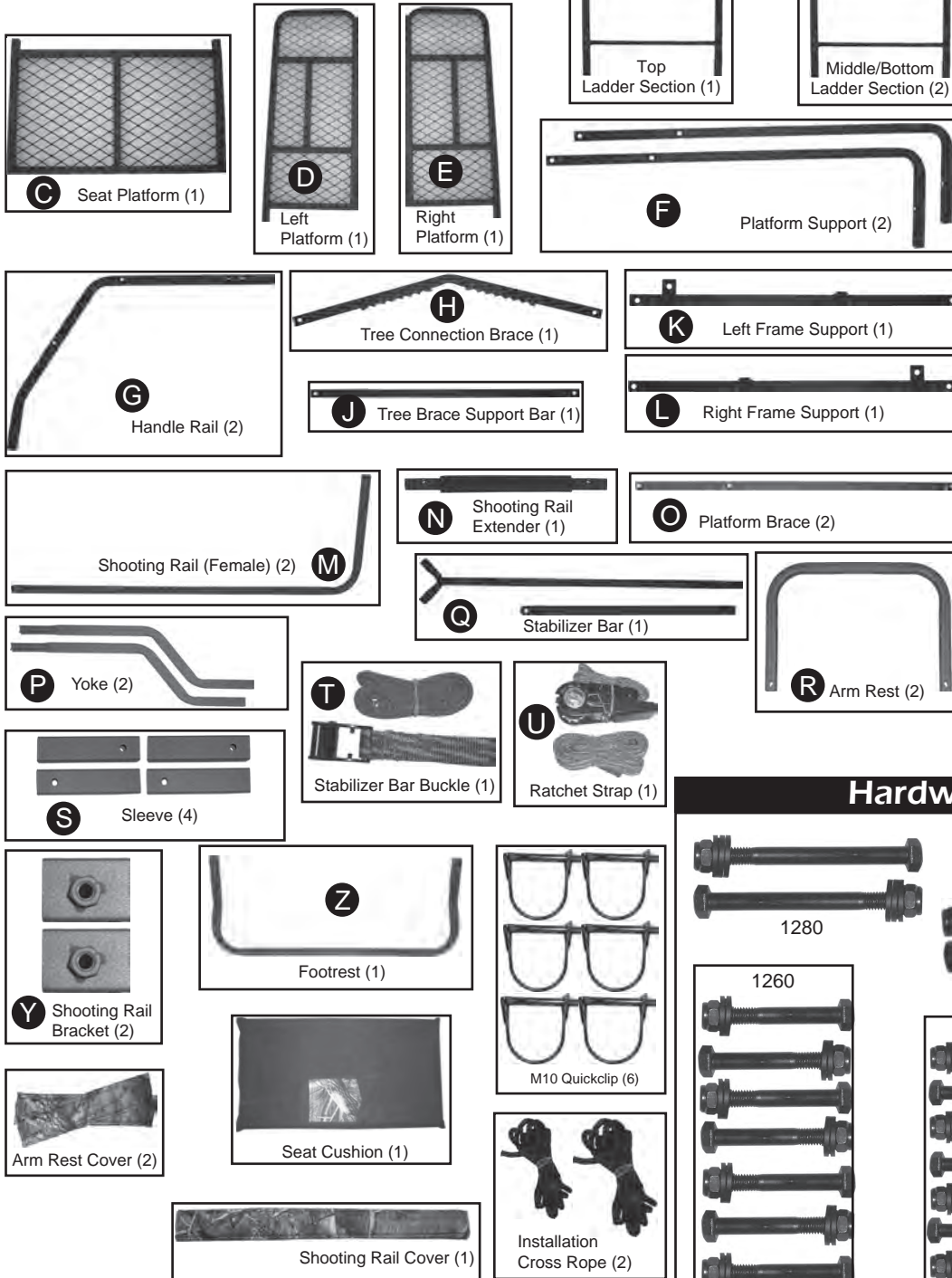
©2010 (rev 12/09)

# ALL SEASON DELUXE

## 17' Ladder Treestand

MODEL: HEH00533

- Always Wear a Safety Harness with this Product
- Practice Using at Ground Level
- Weight Limit: 300 lbs.
- Tree Size: 9"-18" diameter



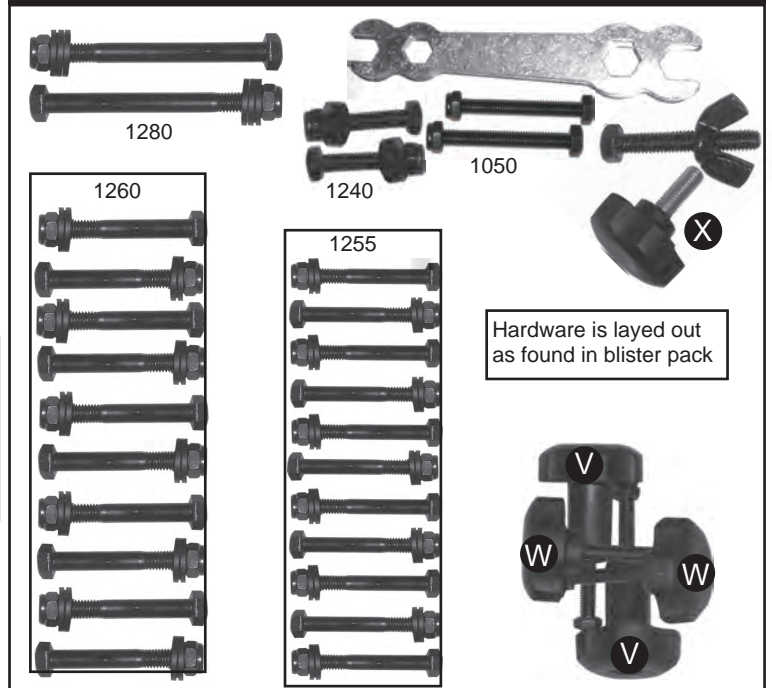
### Parts List

A	1	Top Ladder	Part # DL-5340
B	1	Middle/Bottom Ladder	Part # DL-5030
C	1	Seat Platform	Part # DSP-650
D	1	Left Foot Platform	Part # DLP-534
E	1	Right Foot Platform	Part # DRP-534
F	2	Platform Support	Part # DPS-502
G	2	Handle Rail	Part # DHR-534
H	1	Tree Connection Brace	Part # DVB-502
I	1	Tree Connection Support	Part # DVSB-502
K	1	Left Frame Support	Part # DLS-502
L	1	Right Frame Support	Part # DRS-502
M	2	Shooting Rail	Part # DSR-534
N	1	Shooting Rail Extender	Part # DSX-534
O	2	Platform Brace	Part # DPB-534
P	2	Yoke	Part # DYK-534
Q	1	Stabilizer Bar	Part # DSB-500
R	2	Armrest	Part # DAR-533
S	4	Sleeve	Part # DS-100
T	1	Buckle Strap	Part # DBA-100
U	1	Ratchet Strap	Part # DRA-100
V	2	Shooting Rail Knob	Part # DSRK-100
W	2	Short Knob	Part # DSK-502
X	1	Adjustment Knob	Part # AK-100
Y	2	Shooting Rail Bracket	Part # SRB-100
Z	1	Footrest	Part # DFR-533
	1	Seat Cushion	Part # DSC-534
	2	Armrest Cushion	Part # DPAC-660
	1	Shooting Rail Cover	Part # DPSC-670
	2	Installation Cross Rope	Part # ICR-1000

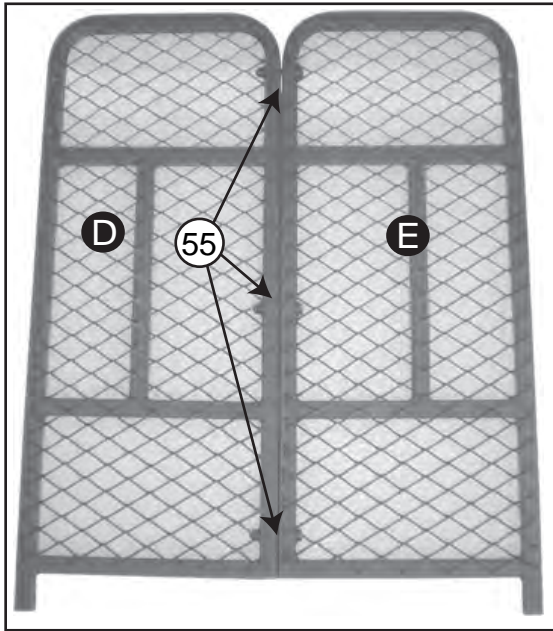
### Hardware

⓪	10	M12x80mm Bolt	Part # 1283
⓪	10	M12x60mm Bolt	Part # 1260
⓪	11	M12x55mm Bolt	Part # 1255
⓪	2	M12x40mm Bolt	Part # 1240
⓪	2	M10x50mm Bolt	Part # 1050
⓪	1	M12x45mm w/wingnut	Part # 1245W
	1	Harness	Part # 2001
	6	M10 Quickclip	Part # 1615

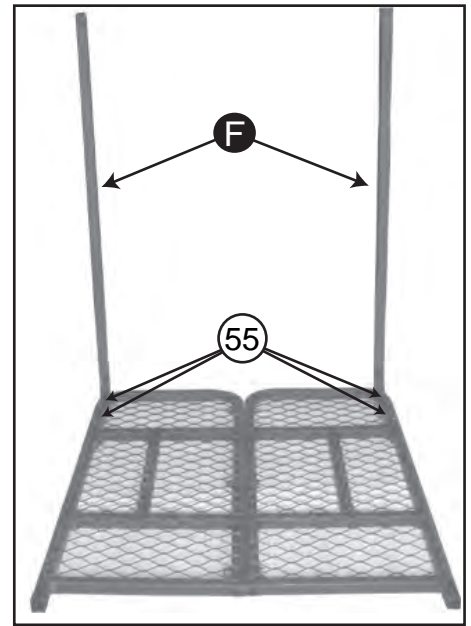
### Hardware Blister Pack



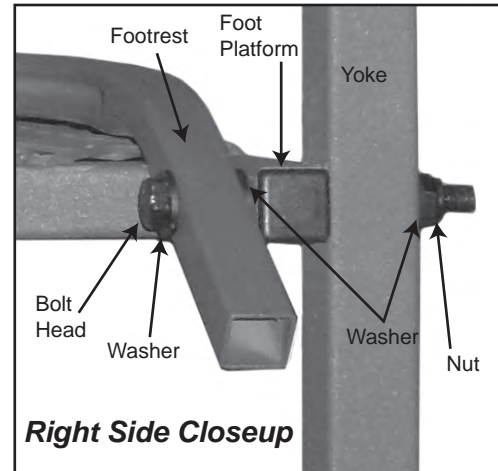
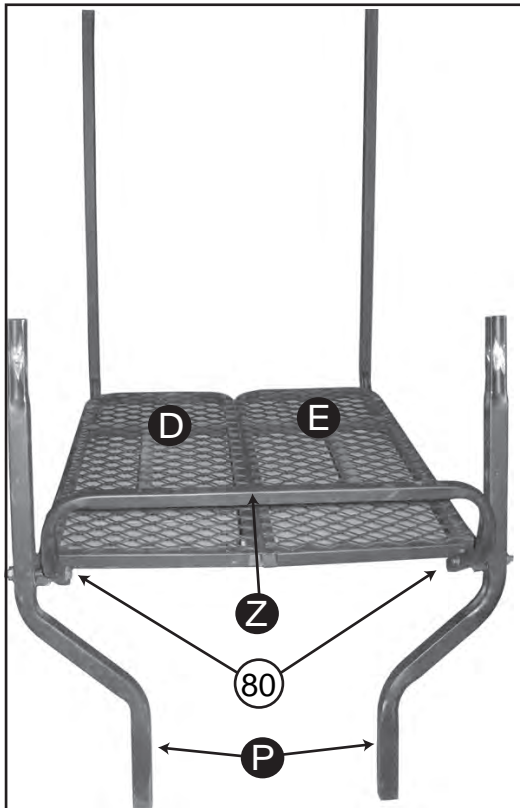
# FIELD & STREAM™



1. Attach Left Platform **D** to Right Platform **E** together using **3-M12x55mm bolts**.

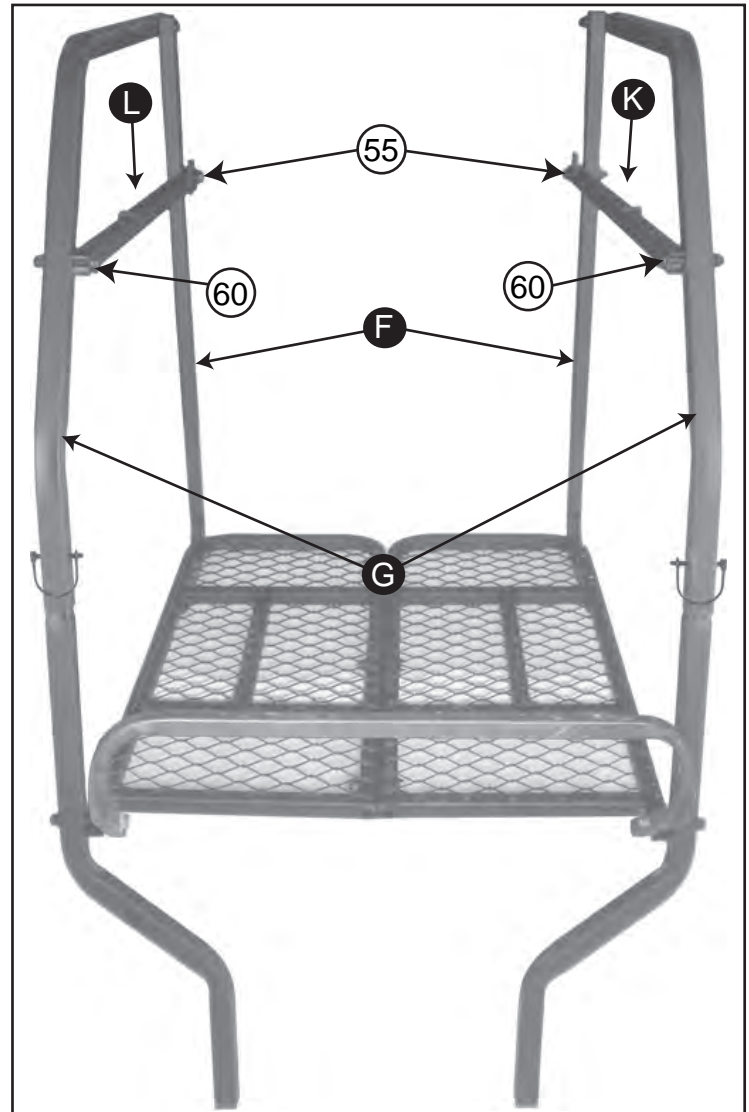
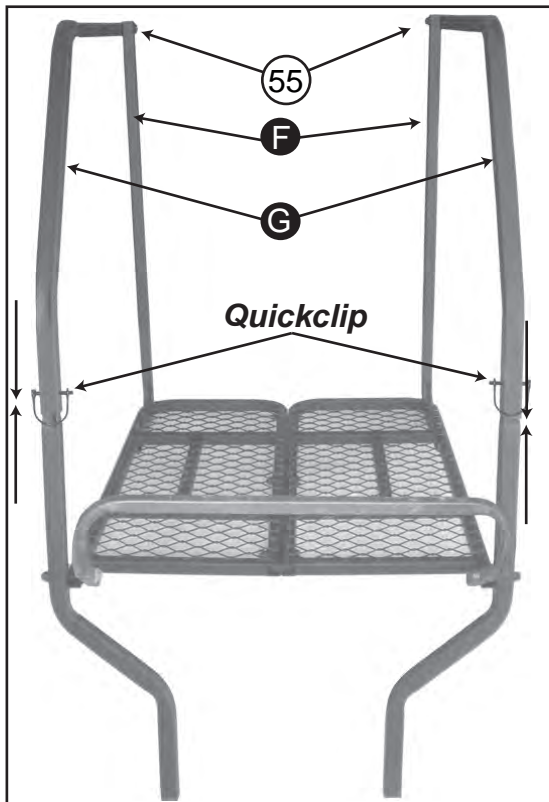


2. Attach each Platform Support **F** to the rear and under side of the assembled platforms using **2-M12x55mm bolts** on each side.



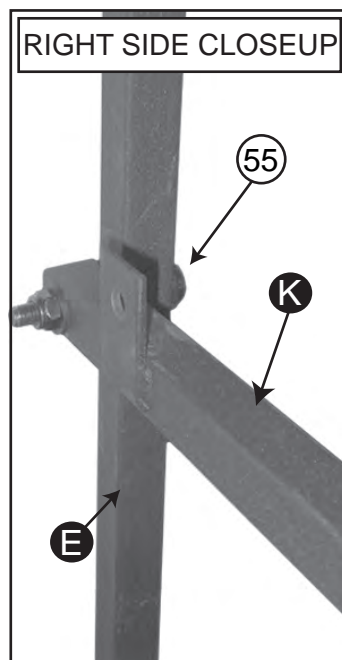
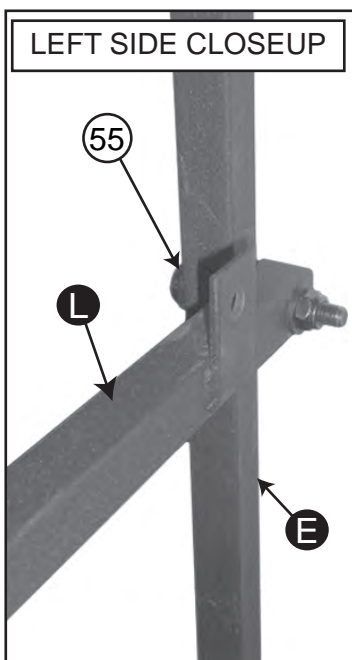
Insert the bolt and one washer through the footrest, insert another washer onto the bolt, then insert the bolt through the foot platform, then through the yoke. Insert the last washer onto the bolt and secure with the nut.

3. Attach Footrest **Z** to the inside of the assembled foot platform and each Yoke **P** to the outside of the assembled foot platform using **1-M12x80mm bolt** on each side. (See Closeup for proper installation order).



4. Slide Handle Rail **G** into Yoke **P** attach together by using **1-M10 Quickclip** on each side.

Attach each Handle Rail **G** to the outside of each Platform Support **F** using **1-M12x55mm bolt**.



5. Facing the front of the stand as shown, Attach the rear of Right Frame Support **L** to Platform Support **F** using **1-M12x55mm bolt**. (The rear has the bracket and **MUST** be on the inside of the frame).  
**(See Right Side Closeup).**

Attach the front of Right Frame Support **L** to the inside of Handle Rail **G** using **1-M12x60mm bolt**.

6. Attach the rear of Left Frame Support **K** to Platform Support **F** using **1-M12x55mm bolt**. (The rear has the bracket and **MUST** be on the inside of the frame).  
**(See Left Side Closeup).**

Attach the front of Left Frame Support **K** to the inside of Handle Rail **G** using **1-M12x60mm bolt**.

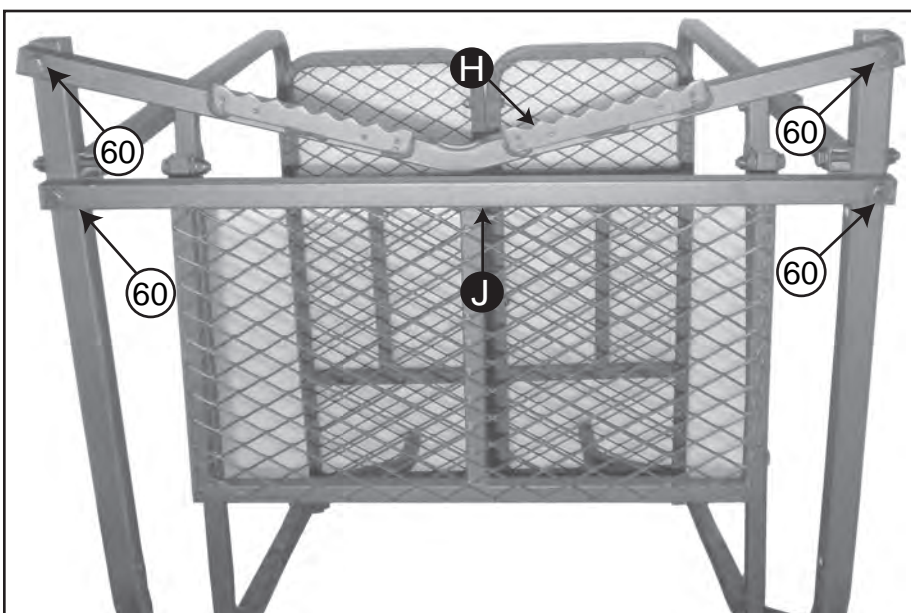
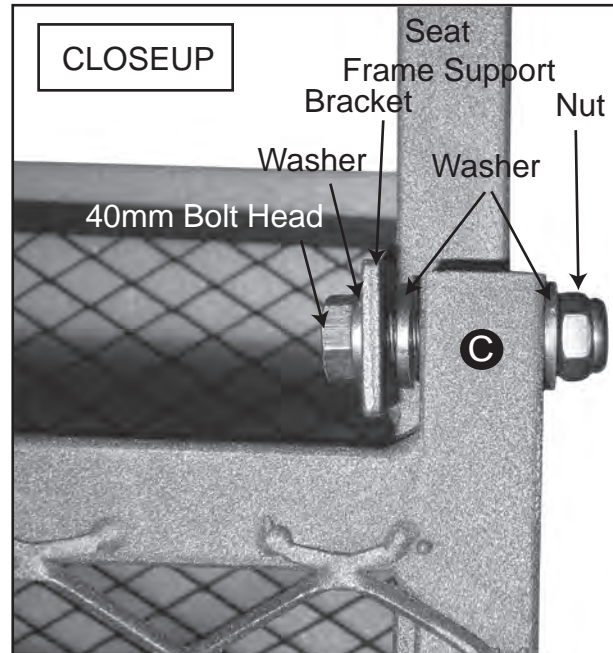


7. Attach Seat Platform **C** to the brackets on both Frame Supports **L** and **K** using **1-M12x40mm bolt** on each side.

The brackets go on the inside of the seat platform and the Seat Platform will rest on top of the Frame Supports.

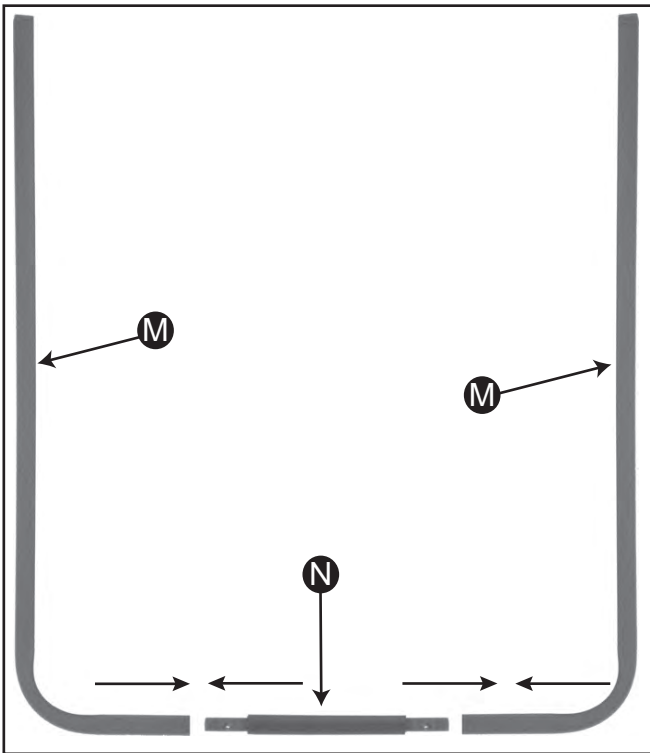
Insert the bolt through a washer, then insert the bolt through the bracket on the seat frame support. Insert another washer on the bolt, finally insert the last washer on the bolt and attach the nut.

(See closeup below)

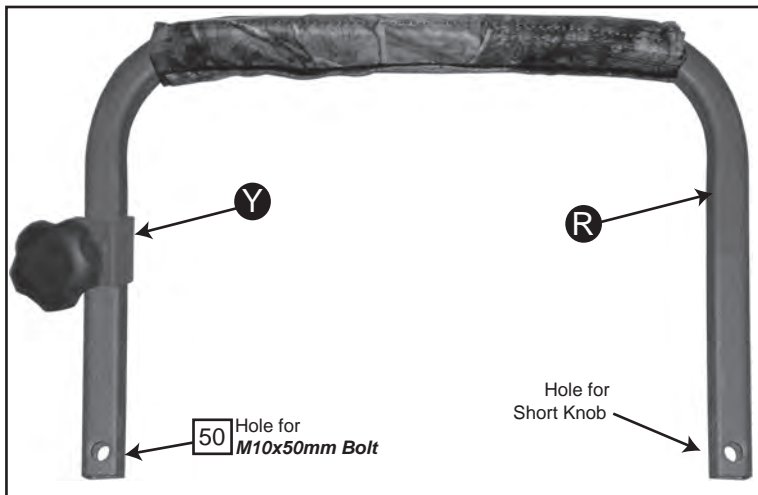


8. Attach Tree Connection Brace **H** to the rear most hole on the top of Handle Rails **G** using **1-M12x60mm bolt** on each side.

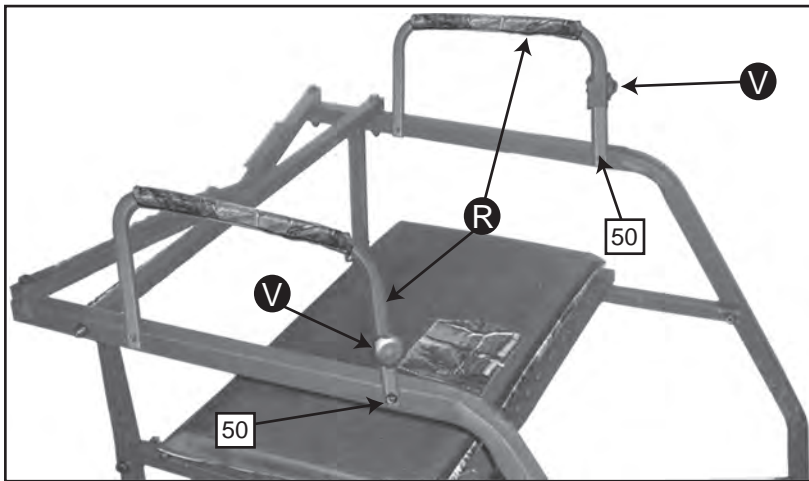
9. Attach Tree Connection Support Bar **J** to Handle Rails **G** in front of the attached Tree Connection Brace **H** using **1-M12x60mm bolt** on each side.



10. Slide Shooting Rail Extender **N** into each half of Shooting Rail **M** .  
Attach Shooting Rail Cover to assembled Shooting Rail.

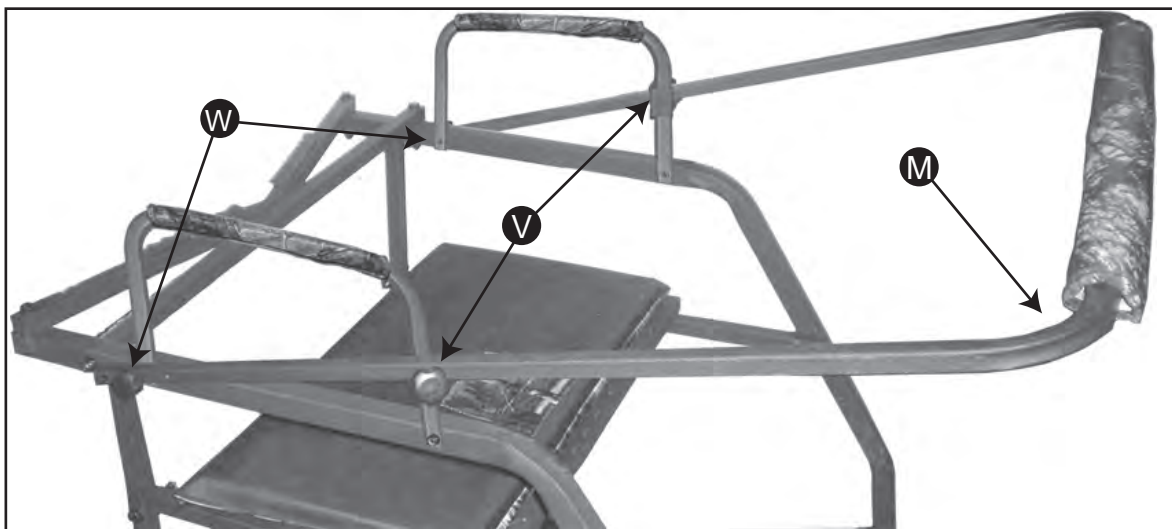


11. Attach Arm Rest Cover to each Armrest **R** .  
Note where the holes are located on the armrests.  
Slide Shooting Rail Bracket **Y** onto each armrest.  
Attach Shooting Rail Knob **V** to Shooting Rail Bracket **Y** .

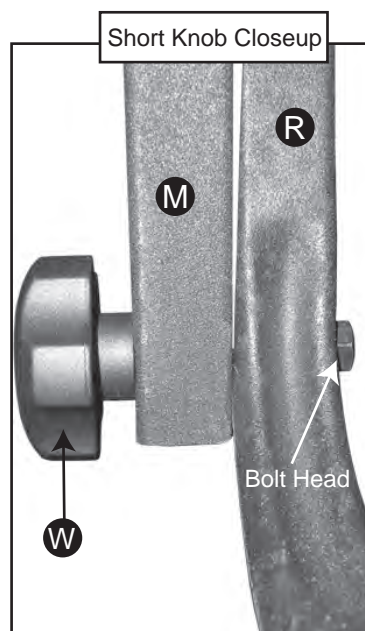


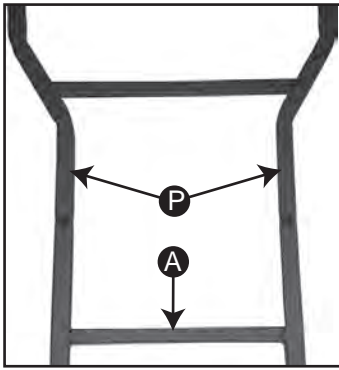
12. Insert **1-M10x50mm Bolt** through the small hole in the front of Handle Rail **G** then through Armrest **R**.

Repeat this step for the other armrest.

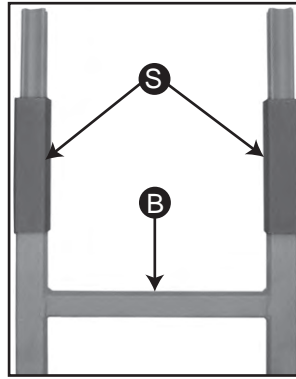


13. Insert bolt from Short Knob **W** through Armrest **R** then through Shooting Rail **M**.  
(See Short Knob Closeup). Repeat for other side.

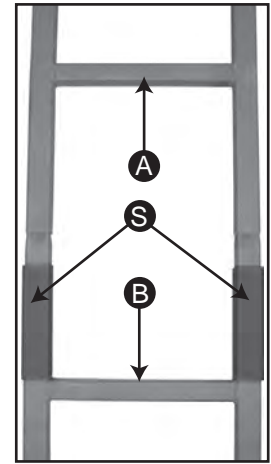




14. Slide Top Ladder Section **A** into Yokes **P**.



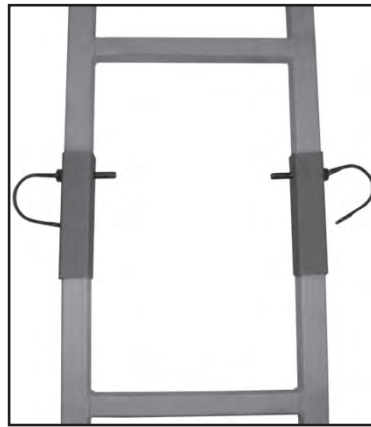
15. Slide Sleeves **S** over the crimps of Ladder Section **B**.



16. Insert Ladder Section **B** into Top Ladder Section **A**.



17. Slide the Sleeves over the joint where ladder sections are connected.

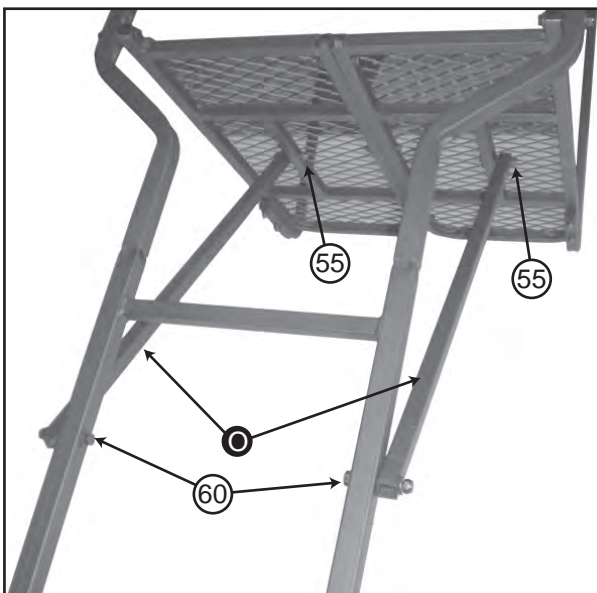


18. Insert **1 - Quickclip** through the hole on the sleeve, and through the ladder sections on each side of the ladder.



19. Close the quickclip to secure the ladder sections together.

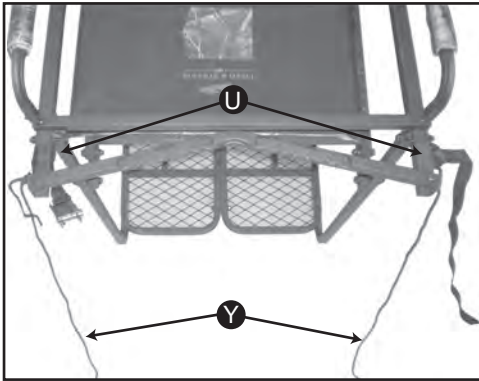
20. Follow **Steps 15-19** to attach the bottom section to the middle section.



21. Attach Platform Brace **C** underneath each platform using **1-M12x55mm bolt** on each side.

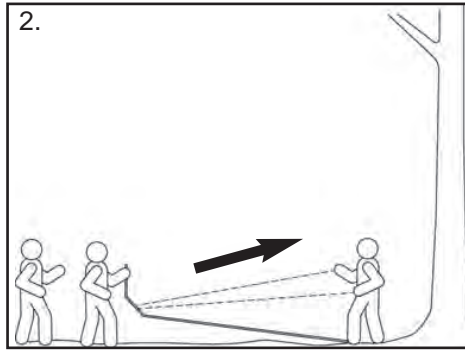
Attach the other end of Platform Brace **C** to Top Ladder Section **A** underneath the first rung using **1-M12x60mm bolt** on each side.

**NOTE:** NOW THAT TREESTAND IS ASSEMBLED MAKE SURE TO TIGHTEN ALL HARDWARE

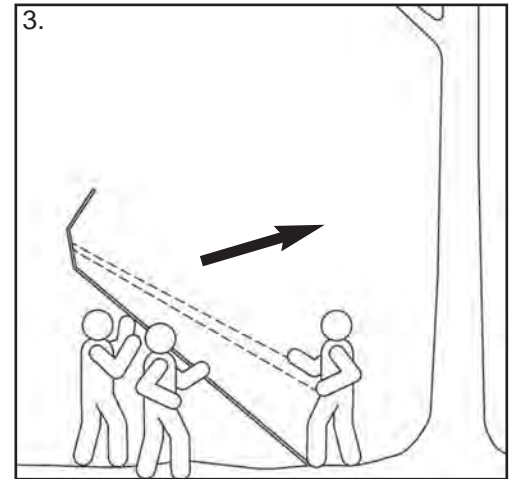


1. Attach Ratchet Strap Assembly **U** to the outermost corners of each Tree Connection Brace.

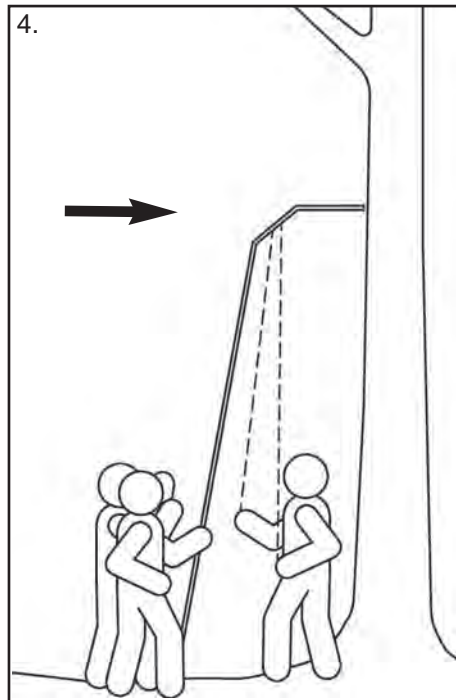
Attach Installation Ropes **Y** behind the upper tree connection brace. (See Ratchet Instructions).



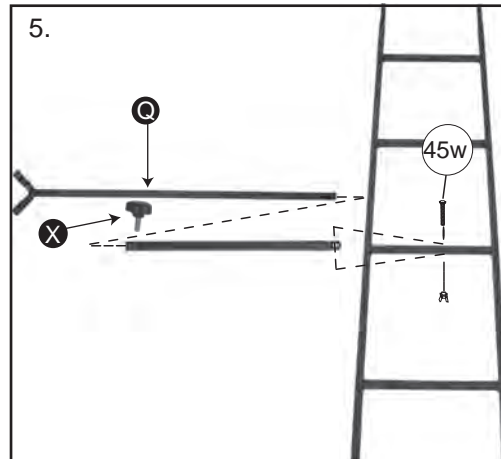
2. Position bottom of stand 4-5 feet from base of tree.



3. One person will stand at the base of ladder with his/her foot on bottom rung while holding installation straps. This will prevent tree stand from sliding. Two people will stand at opposite ends of tree stand, facing Platform and slowly walk tree stand upward using rungs of ladder.

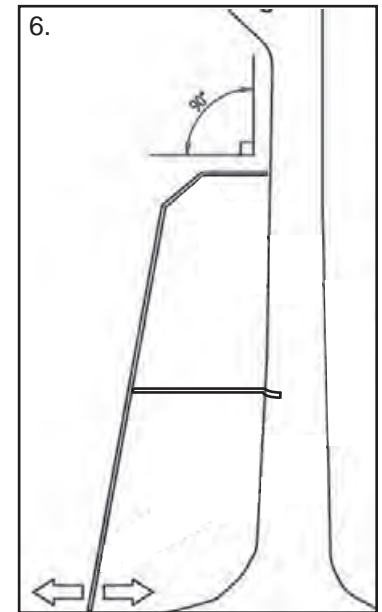


4. As tree stand is being raised, the person holding Installation Straps will pull toward themselves to take up slack. It will steady and ease the weight of stand on the other two people. Continue walking stand upward, until Tree Contact is resting against the tree.



5. Slide the inner part of the Stabilizer Bar into the outer part. Attach Stabilizer Bar **Q** to the second rung of the Middle Ladder Section with 1 - *M12x45w* bolt and 1 wingnut.

Insert the Adjustment Knob **X** in the Stabilizer bar at the proper adjustment point to the tree.

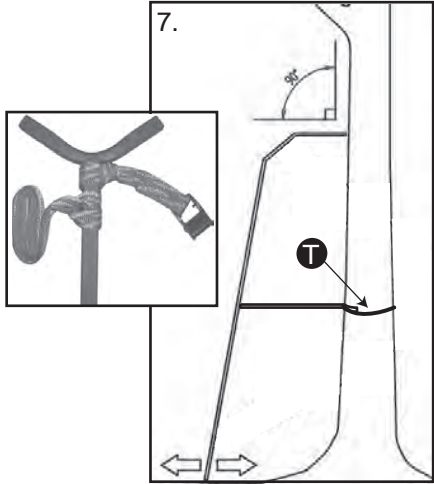


6. Move base of ladder toward or away from tree slightly in order to make Platform as parallel to the ground as possible.

Apply your full weight to the first step so it settles into the ground.

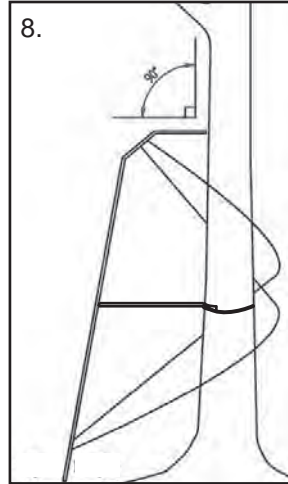
**NOTE:** Drawings are for illustration purposes only and may not depict actual product.

**! WARNING** Installation Straps and Stabilizer Bar **MUST** be secured prior to climbing the tree stand.



7. Attach Buckle Strap **T** just behind the brace of the inner part of Stabilizer Bar **C** by following the Strap Installation below. (See Photo Inset)

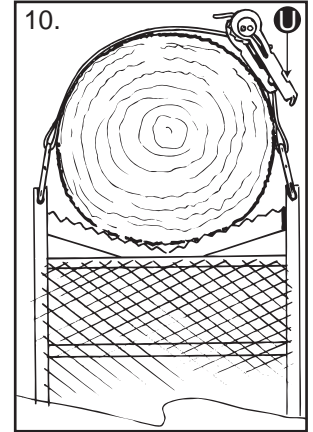
Position the Stabilizer Bar against the tree and secure it by wrapping the strap around the back of the tree once and insert the strap into the buckle. (See Buckle Instructions Below)



8. Cross Installation Ropes behind tree. Tie to the top rung of the bottom ladder section.



9. After the ladder stand has been secured to the tree with the installation straps, and the stabilizer bar has been securely attached to the tree, continue to have two people hold the ladder, climb cautiously up to the platform. Once you reach the top, **IMMEDIATELY ATTACH YOUR SAFETY HARNESS TO THE TREE**. Keep the tether strap above your head.

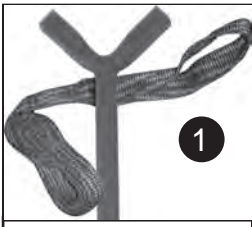


10. Cautiously climb to the top of the treestand. Wrap the strap of the ratchet around the back of the tree and thread it through the ratchet. (See Ratchet Instructions).

**WARNING**  
Installation Straps and Stabilizer Bar **MUST** be secured prior to climbing the tree stand.

**WARNING**  
**DO NOT** sit on seat platform until the ratchet has been secured.

## Strap Installation



Hold Strap as shown



Insert Strap through looped end

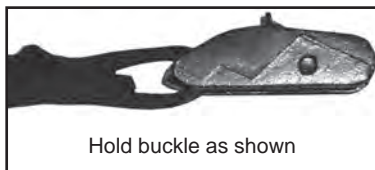


Pull Strap to tighten

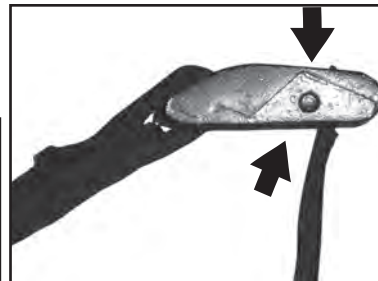


Use these same instructions to attach the buckle

## Buckle Instructions



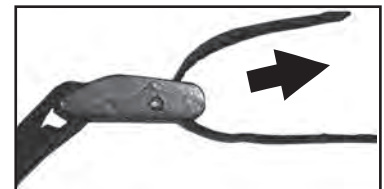
Hold buckle as shown



Press down on latch and insert strap underneath teeth as shown.



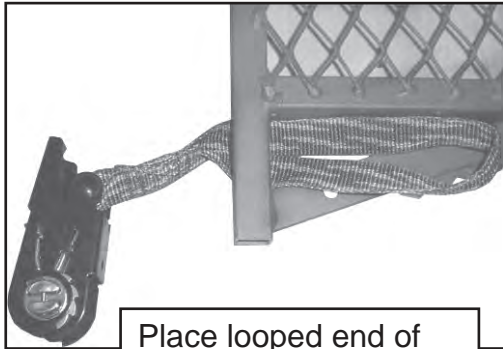
Pull strap to desired length.



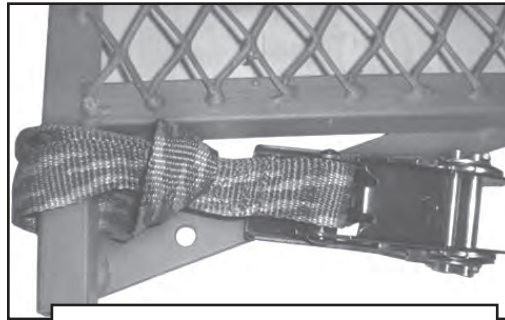
Pull slack to tighten.

# Ratchet Strap Instructions

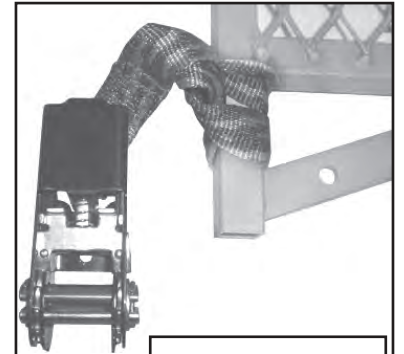
You **MUST** follow these instructions prior to installation



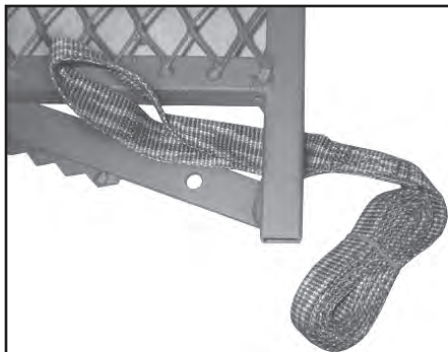
Place looped end of Ratchet under platform



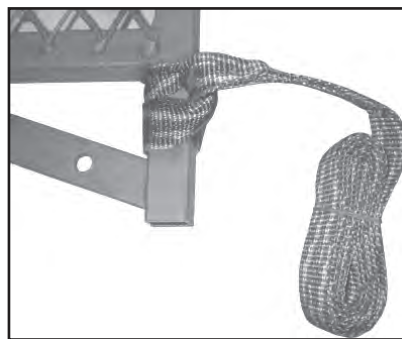
Insert ratchet through loop



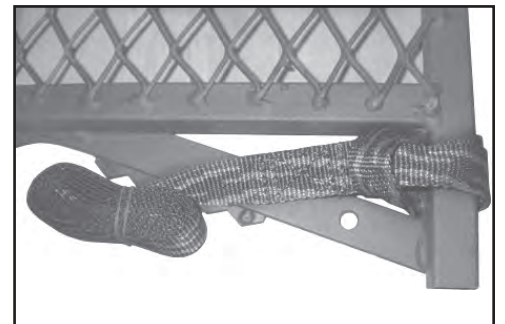
Pull to tighten



Place looped end of strap under platform

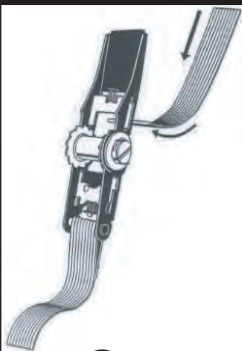


Insert strap through loop



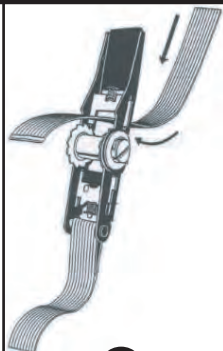
Pull to tighten

## Detailed Ratchet Strap Instructions



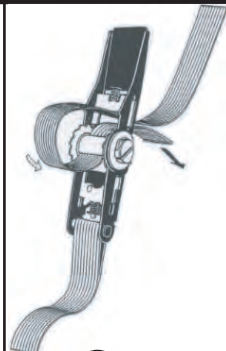
1

Open ratchet handle flat and insert end of strap through opening.



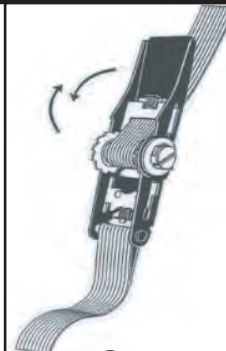
2

Pull Strap through opening



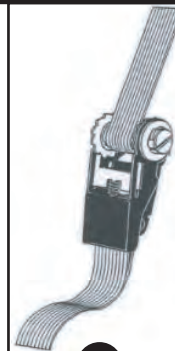
3

Insert end of strap through slot in ratchet wheel.



4

Ratchet handle back and forth to tighten strap



5

After strap is tight, close handle to the locked position



6

To release tension, push spring loaded retaining lock and simultaneously pull on strap.