

DEER CART

Model: 51018/9800/51019

- Weight Capacity: 300 lbs.



THANK YOU! for purchasing Ameristep's Deer Cart

Warning

THINK SAFETY!

- **READ ALL INSTRUCTIONS PRIOR TO ASSEMBLING DEER CART**
- **DO NOT** assemble Deer Cart if any parts are missing or damaged
- **DO NOT** sit in or ride on Deer Cart. Sitting or riding on Deer Cart may result in serious injury or death
- **DO NOT** stand on Deer Cart. Standing on Deer Cart may result in serious injury or death.
- Weight limit of this Deer Cart is **300 lbs.**

DO NOT USE THIS PRODUCT BEFORE FULLY UNDERSTANDING ALL SAFETY WARNINGS AND INSTRUCTIONS. IF YOU HAVE QUESTIONS, ARE UNSURE ABOUT ANY INFORMATION OR NEED ADDITIONAL INFORMATION CONCERNING YOUR PRODUCT, CONTACT OUR CUSTOMER SERVICE DEPARTMENT AT 1-866-972-6168 OR VISIT WWW.TREESTANDCUSTOMERSERVICE.COM. KEEP AND MAINTAIN THIS SAFETY AND INSTRUCTION MANUAL IN A SAFE LOCATION FOR FUTURE REFERENCE.

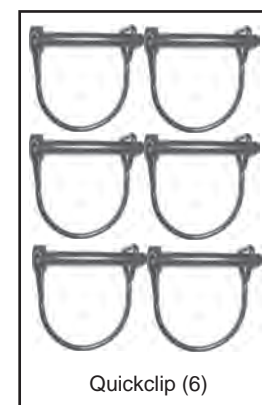
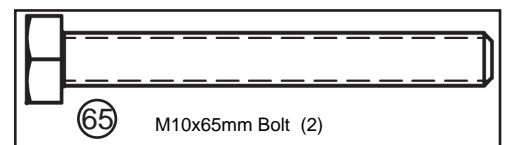
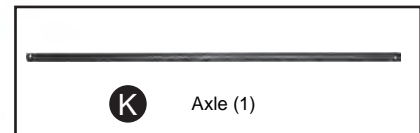
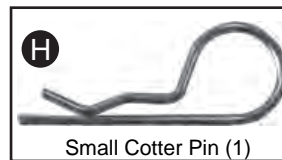
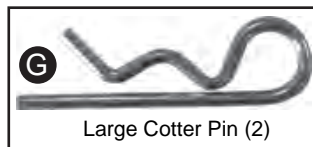
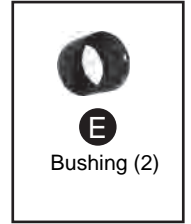
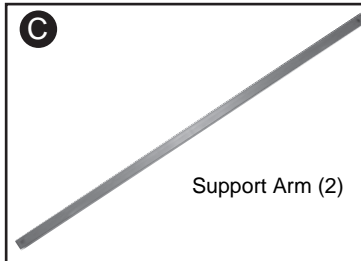
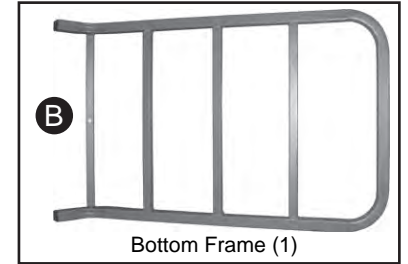
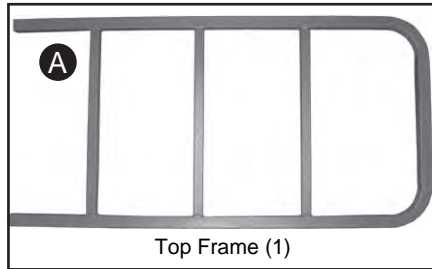
DEER CART

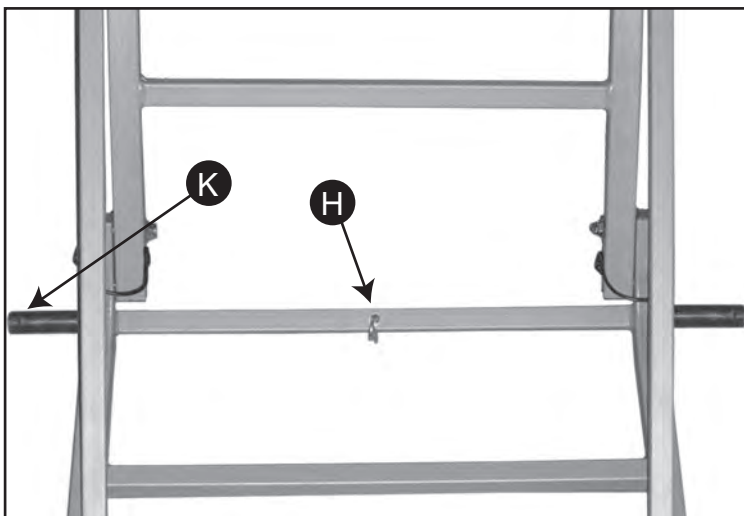
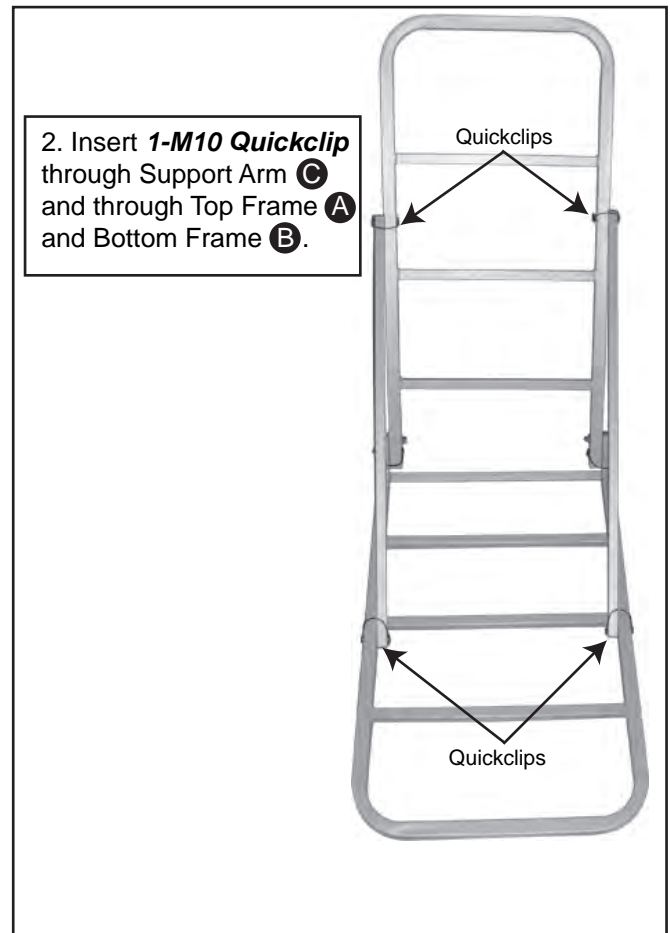
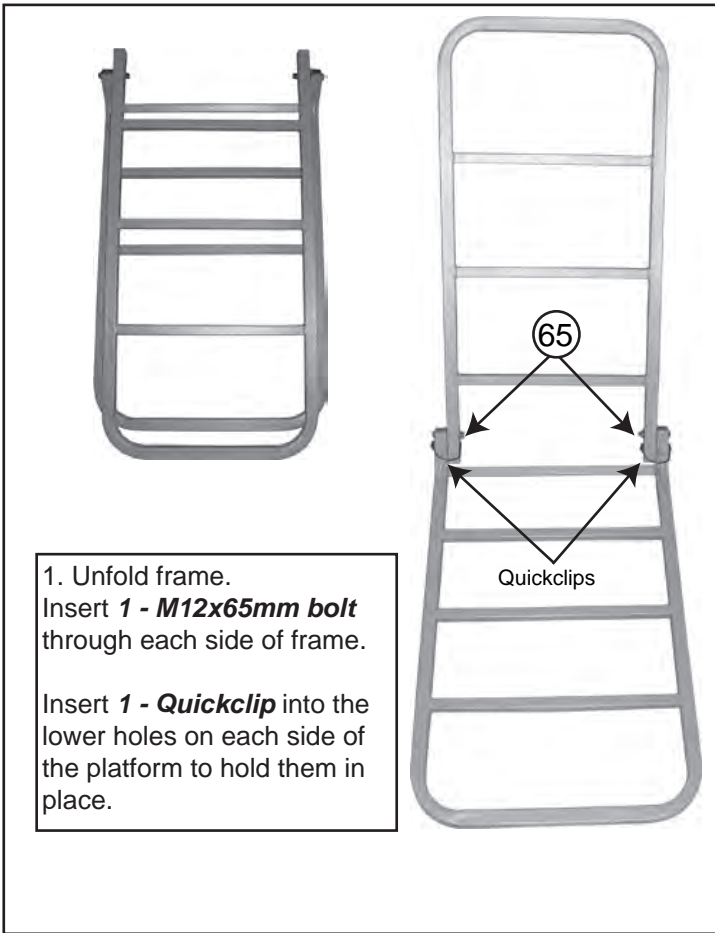
Model: 51018/9800/51019

• Weight Capacity: 300 lbs.

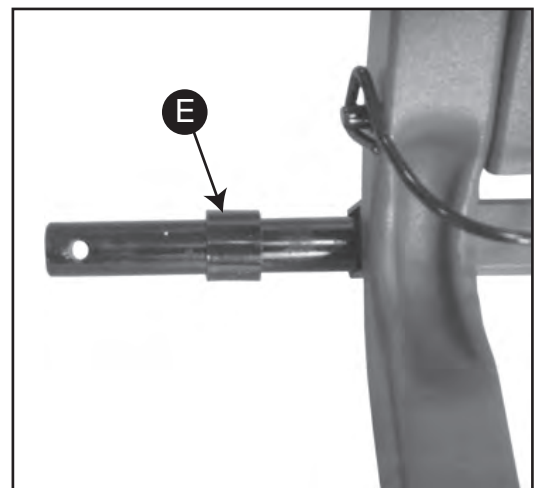
Parts List

A	1 Top Frame	Part # OTF-518
B	1 Bottom Frame	Part # OBF-518
C	2 Support Arm	Part # OSA-518
D	2 Wheel	Part # DW-224
E	2 Bushing	Part # DB-224
F	2 Large Washer	Part # DLW-224
G	2 Large Cotter Pin	Part # DCP-224
H	1 Small Cotter Pin	Part # OCP-224
J	3 Tie-Down Strap	Part # DS-224
K	1 Axle	Part # DA-518
65	2 M10x65mm Bolt	Part # 1065
	4 M10 Quickclip	Part # 1615





3. Insert Axle **K** through Bottom Frame **B**. Line the holes up on the axle and the center of the bottom frame. Insert Small Cotter Pin **H** to secure in place.



4. Slide Bushing **E** over each side of Axle **K**.

