

GRIZZLY 13' TRIPOD

Instruction and Safety Manual

MODEL: 5413D/51016

- Weight Limit: 300 lbs.
- Do Not Over Tighten Fasteners

AMERISTEP®
Grizzly Series



THANK YOU! for purchasing Ameristep's Grizzly 13' Tripod

⚠ Warning

Every year serious injury and even death occurs from hunting related falls. To ensure your safety, please **COMPLETELY** read and follow this safety manual and **ALL** warning labels **BEFORE** assembling, installing or utilizing this product.

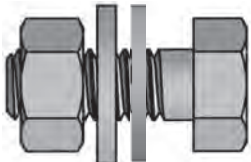
DO NOT USE THIS PRODUCT BEFORE FULLY UNDERSTANDING ALL SAFETY WARNINGS AND INSTRUCTIONS. IF YOU HAVE QUESTIONS, ARE UNSURE ABOUT ANY INFORMATION OR NEED ADDITIONAL INFORMATION CONCERNING YOUR PRODUCT, CONTACT OUR CUSTOMER SERVICE DEPARTMENT AT 1-866-972-6168 OR VISIT WWW.TREESTANDCUSTOMERSERVICE.COM. KEEP AND MAINTAIN THIS SAFETY AND INSTRUCTION MANUAL IN A SAFE LOCATION FOR FUTURE REFERENCE.

TREE/LADDER STAND SAFETY INSTRUCTIONS/WARNINGS

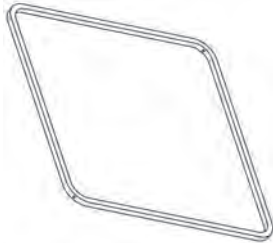
Please read the following instruction manual and warning labels completely before utilizing this product. Failure to understand and execute these instructions and warnings may result in serious injury or death. KEEP THIS INSTRUCTION MANUAL IN A SAFE PLACE AND REVIEW ANNUALLY.

- **ALWAYS** read and understand these WARNINGS & INSTRUCTIONS before using this product each season. Practice at ground level prior to using at elevated positions. Maintain the WARNINGS & INSTRUCTIONS for later review as needed, for instructions on usage to anyone borrowing your stand. Use all safety devices provided with this product. Never exceed weight limit specified by Manufacturer. If you have any questions after reviewing the WARNINGS & INSTRUCTIONS, please contact Ameristep®. **DO NOT** lend this product to anyone unless they have read this manual and fully understand the Instructions and warnings provided.
- **ALWAYS** inspect for any damaged or missing pieces after removing all contents from box and cardboard from products. If you think parts are missing or damaged, contact Ameristep's Customer Service Department. Do Not begin to assemble if any parts are missing or damaged.
- **DO NOT** modify or alter your Tree/Ladder Stand. Improper installation or adjustment may cause serious injury or death. You must only use Ameristep® certified replacement parts. Using any other replacement parts will void product warranty. **DO NOT** use homemade or permanently elevated stands or make modifications to a purchased TREE/LADDER STAND.
- **ALWAYS** inspect THIS PRODUCT and SAFETY HARNESS (TMA Certified Full Body Harness - FAS) for signs of wear or damage BEFORE each use. Pay special attention to hardware and webbing guaranteeing that nothing is frayed or severed. Destroy all products that cannot be repaired by Manufacturer and/or exceed recommended expiration date. The FAS should be discarded and replaced after **3 YEARS OR** after a fall has occurred.
- **ALWAYS** use a full body safety harness when using this product. This product may include a TMA Certified Full Body Harness (FAS). The FAS must always be connected to yourself and tree during ascending, hunting and descending. For proper and safe use of Ameristep® Tree stands, Ladder stands, Rapid Rails, Strap on Seats and Climbing Sticks attachment straps MUST be replaced every three years. All attachment straps and Ameristep® Harnesses comes with a date of production **OR** expiration date on actual product. This product is intended for hunting ONLY.
- **DO NOT** use this product under the influence of alcohol, medication (prescription or non-prescription), or any illegal substance. Using this product while under influence of any of these substances may result in serious injury or death.
- **DO NOT** use this product if you have a history of heart problems, back problems, high blood pressure, impaired vision, equilibrium impairments, dizzy, if you are not physically fit, or ill in any way; If have been advised by a doctor or other healthcare provider not to climb, or have any condition that would impair your ability to use climber. Physical ailments can reduce your ability to safely install, utilize, and remove your product. Please consult a physician prior to use. Be sure you are well rested and alert and **NEVER** fall asleep in your stand as you may fall out resulting in serious injury or death.
- **NEVER** transport any equipment with yourself while ascending or descending the tree. Always transport your gun unloaded (with safety lock engaged), bows with or without arrows, knives or any other equipment with a Haul Line (such as our Hoist Rope). After securing yourself to tree, freeing your hands during ascending and descending for safety to pull up gear, unloaded firearm or bow to TREE/LADDER STAND once you have reached your desired hunting height. Prior to descending, lower equipment on opposite side of tree you are climbing. Make sure that the unloaded firearm's safety lock is engaged and gun barrel is pointed toward ground.
- **ALWAYS** know your physical limitations. Falls can occur anytime after leaving the ground. Don't take chances. If you start thinking about how high you are, don't go any higher. Instead, choose a minimum height that will allow for safe, effective, and comfortable hunting.
- **ALWAYS** attach your Full Body Harness in the manner and method described by the Manufacturer. Failure to do so may result in suspension without the ability to recover into your TREE/LADDER STAND. Beware of hazards associated with Full Body Harnesses and the fact that prolonged suspension in a harness may be fatal. Failure to recover in a timely manner could result in serious injury or death. Have in place a plan for rescue, including the use of cell phones or signal devices that may be easily reached while suspended. If rescue personnel cannot be notified, you must have a plan for recover/escape. If you have to hang suspended for a period of time before help arrives, exercise your legs by pushing against the tree or doing any other form of continuous motion. If you do not have the ability to recover/escape, hunt from the ground. Ameristep's Tree/Ladder Stands are designed for hunters to wear a Full Body Harness (FAS). If you are not completely comfortable and confident with your ability to safely install, ascend, descend and hunt using a Full Body Safety Harness and this product, **DO NOT PROCEED**.
- **ALWAYS** have a minimum of three people present when installing or removing this product **AND** hunt with a plan and a buddy. Before you leave home, let others know your exact hunting location, when you plan to return & who is with you.
- **ALWAYS** have a communication device on your person and easily accessible. Immediate access to another person may save your life. In the event of an accident, a rescue plan must be in place and able to be incorporated immediately. **ALWAYS** carry emergency signal devices such as a cell phone, walkie-talkie, whistle, signal flare, PLD (personal locator device) and flashlight on your person at all times and within reach even while you are suspended in your FAS. In the event of an accident, remain calm and seek help immediately. **DON'T PANIC!**
- **NEVER** adjust your stand while in use. Always ensure that you and your ladder stand are safely secured to a healthy tree. A checklist for selecting a safe tree is also included in the instructions. Your TREE/LADDER STAND must be attached tightly to the tree and secured in place. ALL contact points must be in contact with tree BEFORE you step onto your TREE/LADDER STAND. If the stand is not secure, it may shift while in use, and may result in serious injury.
- **NEVER** jump on the platform OR stand on the seat OR lean out from the ladder stand for any reason.
- **NEVER** use this product for trimming trees OR as a house-hold ladder.
- **NEVER** leave stand unattended. Always fully inspect this product before each use. **DO NOT** use if any bolts or nuts are loose, bent or crooked.
- **NEVER** let children play or use this product without adult supervision. This product is not a toy.
- **NEVER** use during inclement weather. DO NOT use during thunderstorms or any other weather conditions that include (but not limited to) lightning, high wind, freezing rain. Your product must always be free from moisture, mud, frost, snow, ice or any other slippery surface that may compromise your safety and could potentially create dangerous conditions. **ALWAYS** watch for changing weather conditions.

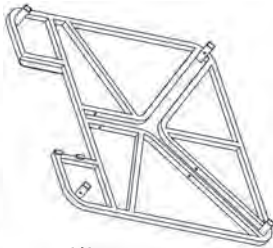




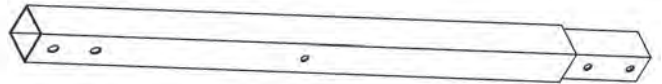
(4) M8 x 20mm HEX BOLT
(2 Washers, 1 Lock-Nut)



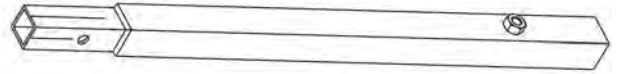
(1) Shooting Rail



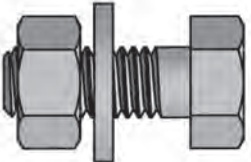
(1) Platform



(3) Upper Tripod Leg



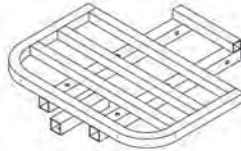
(4) Lower Shooting Rail Supports



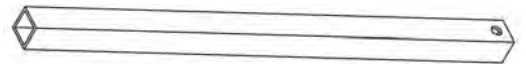
(4) M8 x 20mm HEX BOLT
(1 Washer, 1 Lock-Nut)



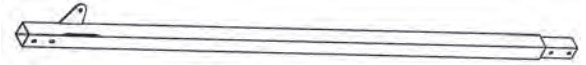
(1) Seat Back



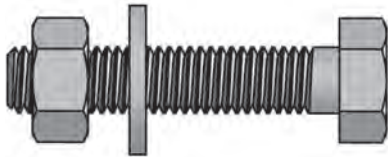
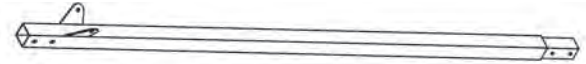
(1) Seat Frame



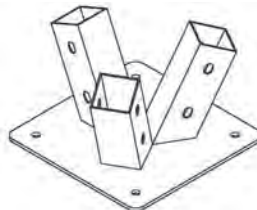
(4) Upper Shooting Rail Supports



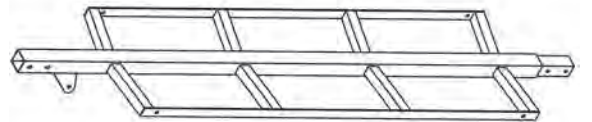
(2) Right & Left Middle Legs



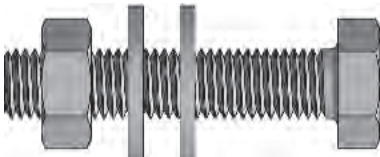
(4) M8 x 40mm HEX BOLT
(1 Washer, 1 Lock-Nut)



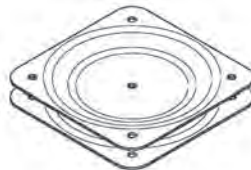
(1) Seat Base



(1) Middle Ladder Leg



(10) M8 x 40mm HEX BOLT
(2 Washers, 1 Lock-Nut)



(1) Swivel



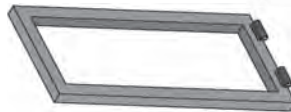
(1) Short Tripod Brace



(2) Long Tripod Brace



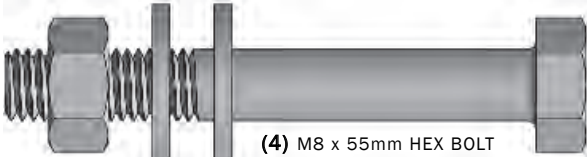
(21) M8 x 50mm HEX BOLT
(2 Washers, 1 Lock-Nut)



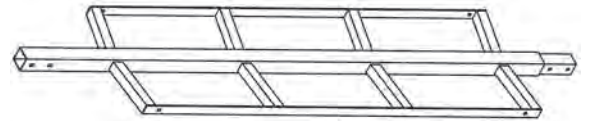
(1) Trap Door



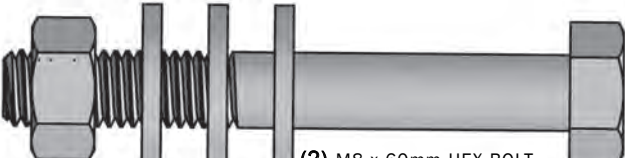
(2) Lower Leg



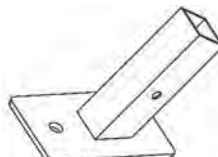
(4) M8 x 55mm HEX BOLT
(2 Washers, 1 Lock-Nut)



(1) Lower Ladder Leg



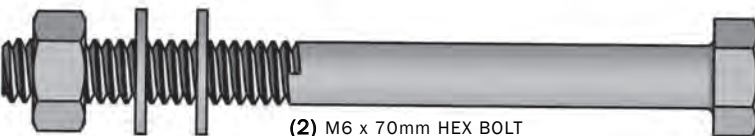
(2) M8 x 60mm HEX BOLT
(3 Washers, 1 Lock-Nut)



(3) Tripod Feet



(2) Outer Ladder Brace



(2) M6 x 70mm HEX BOLT
(2 Washers, 1 Lock-Nut)

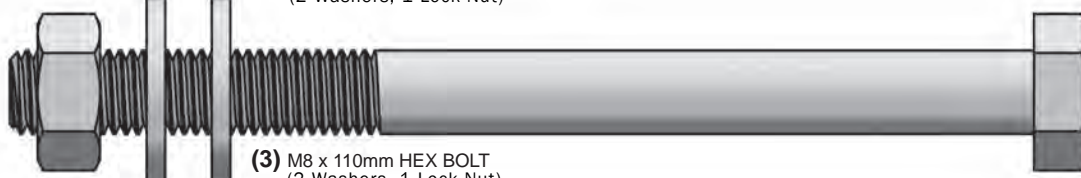


(1) Seat Back Cushion

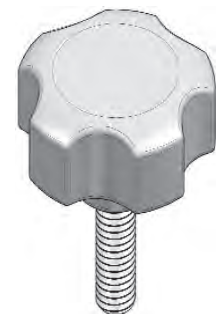
(1) Seat Cushion



WRENCH (2)

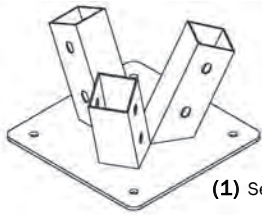


(3) M8 x 110mm HEX BOLT
(2 Washers, 1 Lock-Nut)

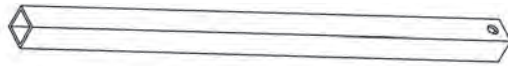


(4) Adjustment Knobs

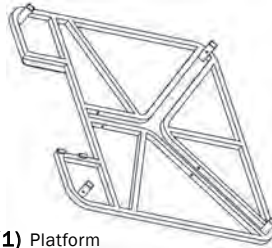
! NOTE: You will need:



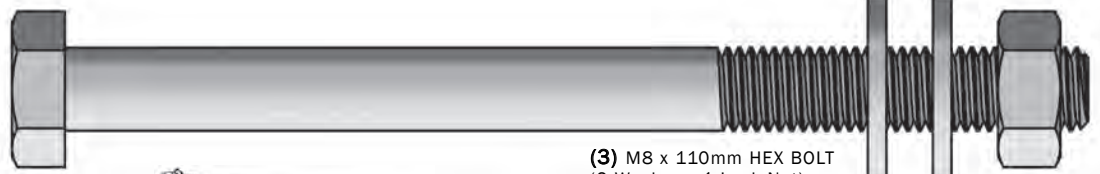
(1) Seat Base



(3) Upper Leg



(1) Platform



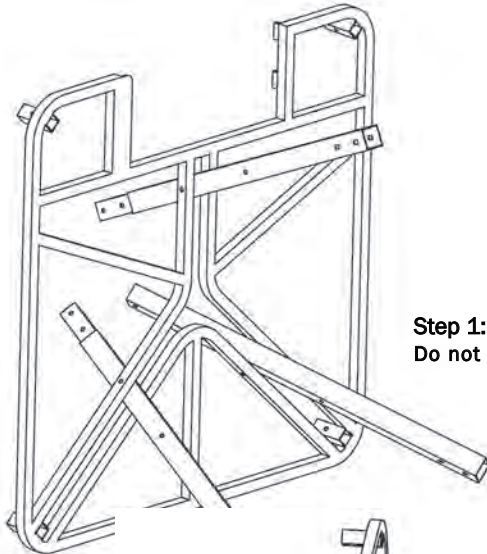
(3) M8 x 110mm HEX BOLT
(2 Washers, 1 Lock-Nut)



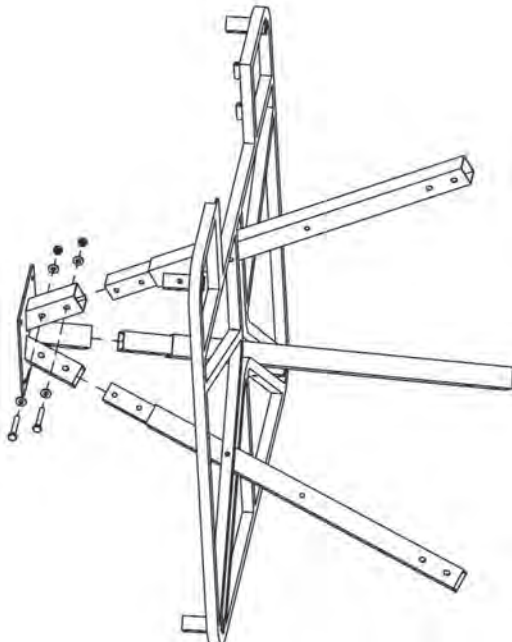
(6) M8 x 50mm HEX BOLT
(2 Washers, 1 Lock-Nut)

! IMPORTANT: Practice with your new product, wearing your entire hunting gear, FULL BODY SAFETY HARNESS at ground level before ascending to any height.

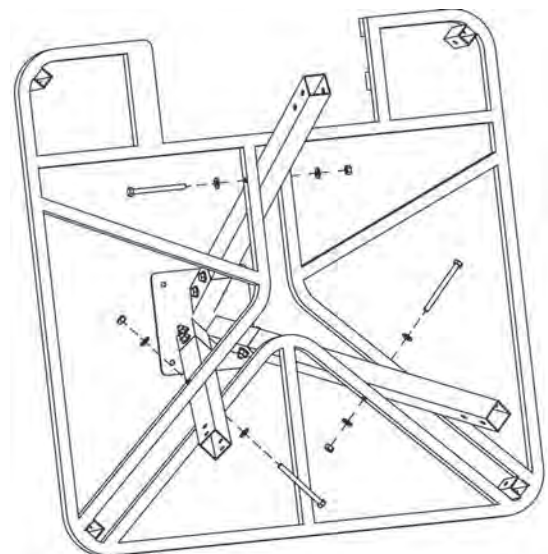
! IMPORTANT: Assemble YOUR LADDER STAND on Ground.



Step 1: Slide **SHORT UPPER LEGS** through **PLATFORM**.
Do not insert bolts yet.

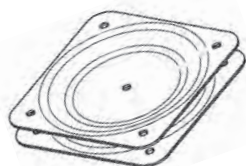


Step 2: Insert top of **UPPER LEGS** into **SEAT BASE**.
Secure using (6) M8 x 50mm bolts, (2 bolts per leg).

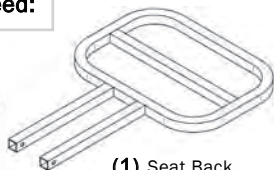


Step 3: Bolt **UPPER LEGS** to **PLATFORM**
using (3) M8 x 110mm bolts.

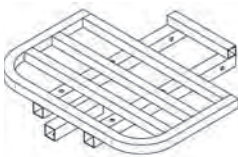
! NOTE: You will need:



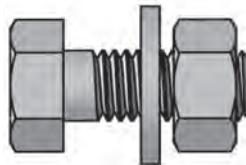
(1) Swivel



(1) Seat Back



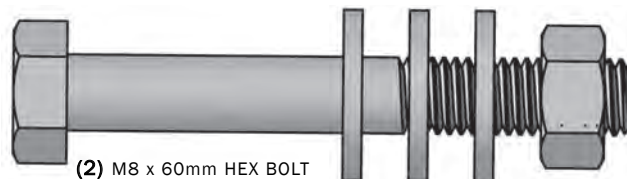
(1) Seat Frame



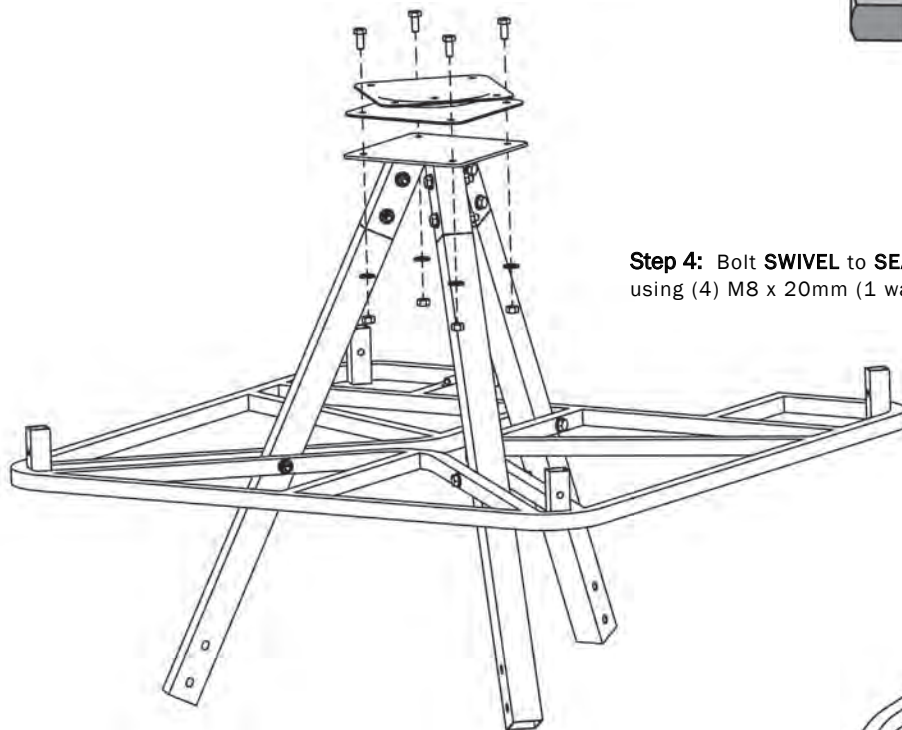
(4) M8 x 20mm HEX BOLT
(1 Washer, 1 Lock-Nut)



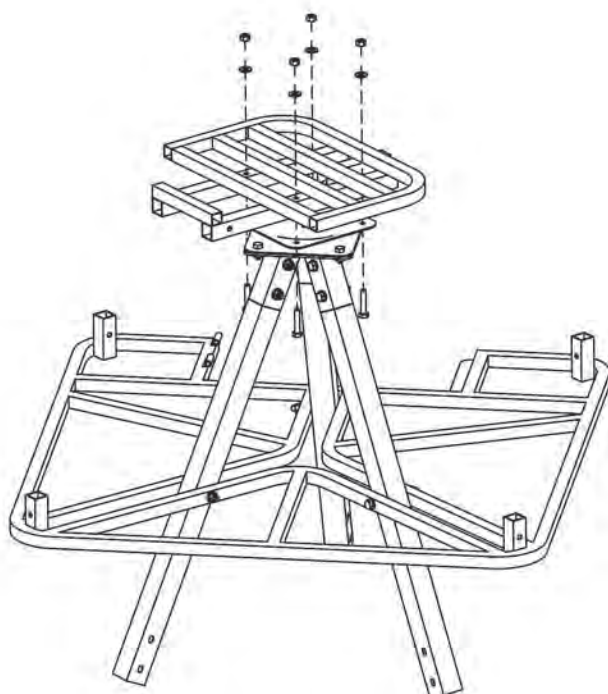
(4) M8 x 40mm HEX BOLT
(2 Washers, 1 Lock-Nut)



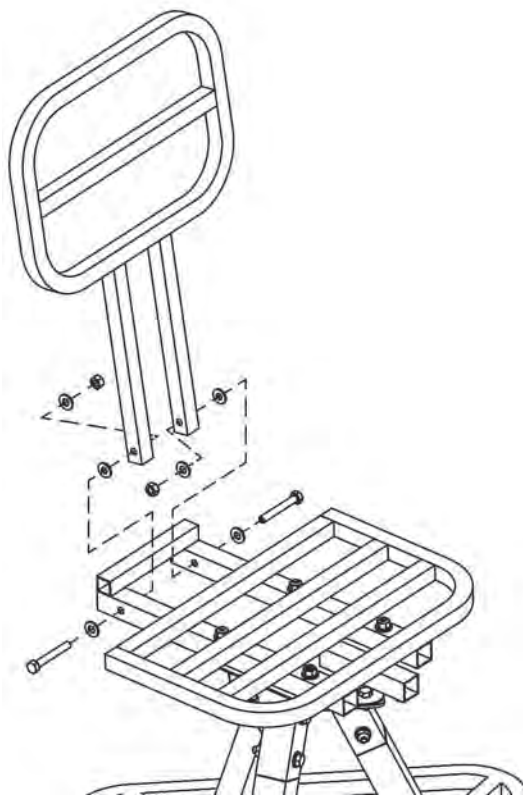
(2) M8 x 60mm HEX BOLT
(3 Washers, 1 Lock-Nut)



Step 4: Bolt **SWIVEL** to **SEAT BASE**
using (4) M8 x 20mm (1 washer) bolts.

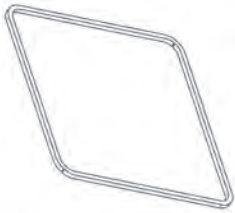


Step 5: Attach **SEAT FRAME** on top **SWIVEL**
using (4) M8 x 40mm (1 washer) bolts.



Step 6: Install **SEAT BACK** to **SEAT FRAME**
using (2) M8 x 60mm bolts.

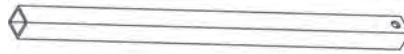
! NOTE: You will need:



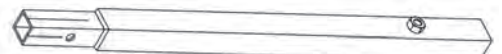
(1) Shooting Rail



(1) Seat Back Cushion
(1) Seat Cushion



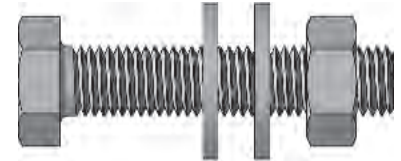
(3) Upper Legs



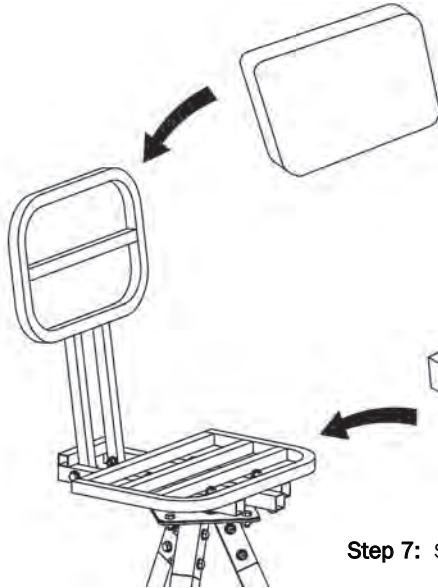
(4) Lower Shooting Rail Supports



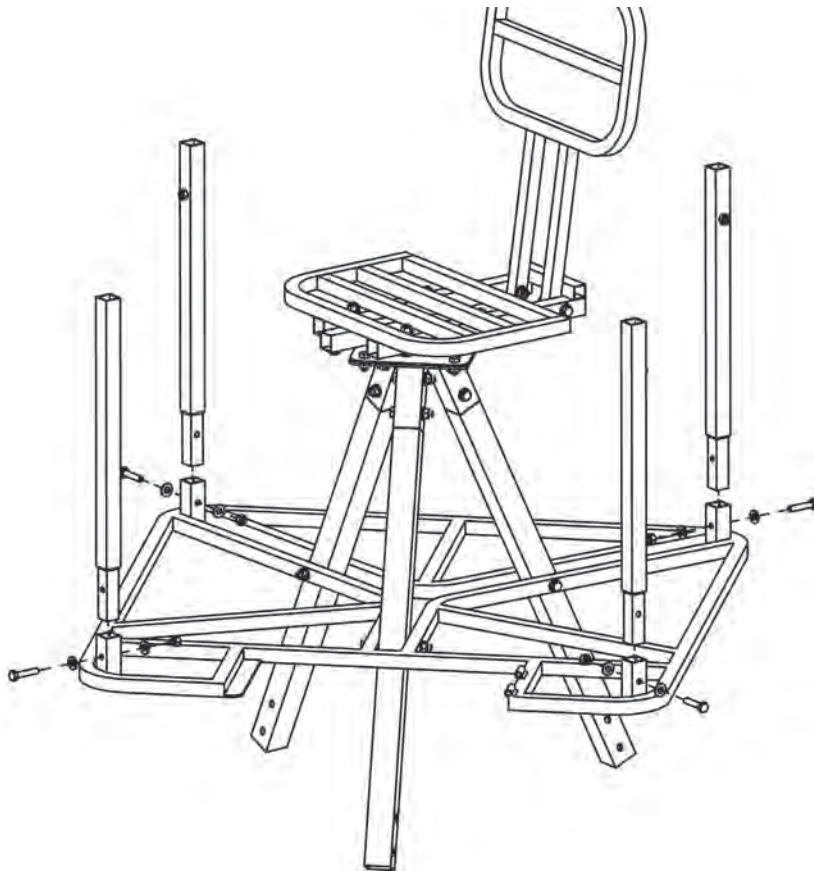
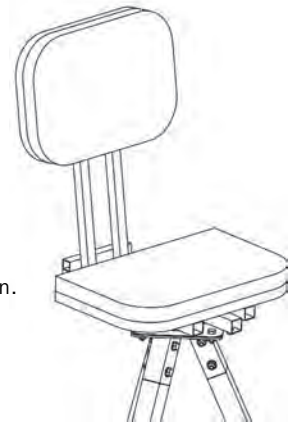
(4) M8 x 55mm HEX BOLT
(2 Washers, 1 Lock-Nut)



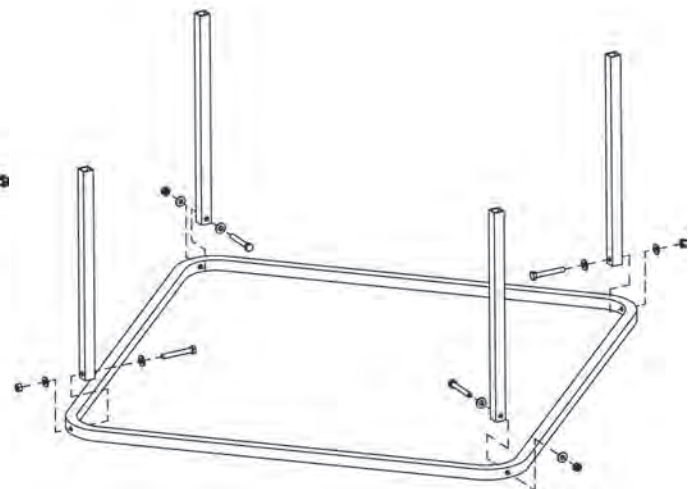
(4) M8 x 40mm HEX BOLT
(2 Washers, 1 Lock-Nut)



Step 7: Slide **SEAT** and **SEAT BACK CUSHION** on.

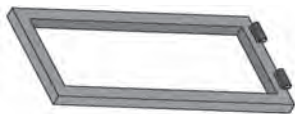


Step 8: Assemble **SHOOTING RAIL** by inserting **LOWER SHOOTING RAIL SUPPORTS** into ports on corners of **PLATFORM** and secure using (4) M8 x 40mm bolts.

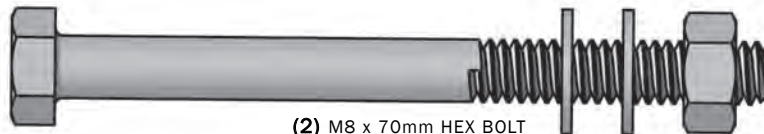


Step 9: Lie **SHOOTING RAIL** on ground and install **UPPER SHOOTING RAIL SUPPORTS** using (4) M8 x 55mm bolts.

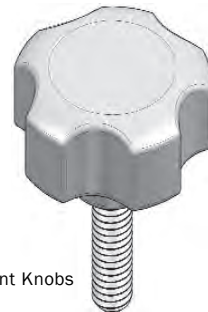
! NOTE: You will need:



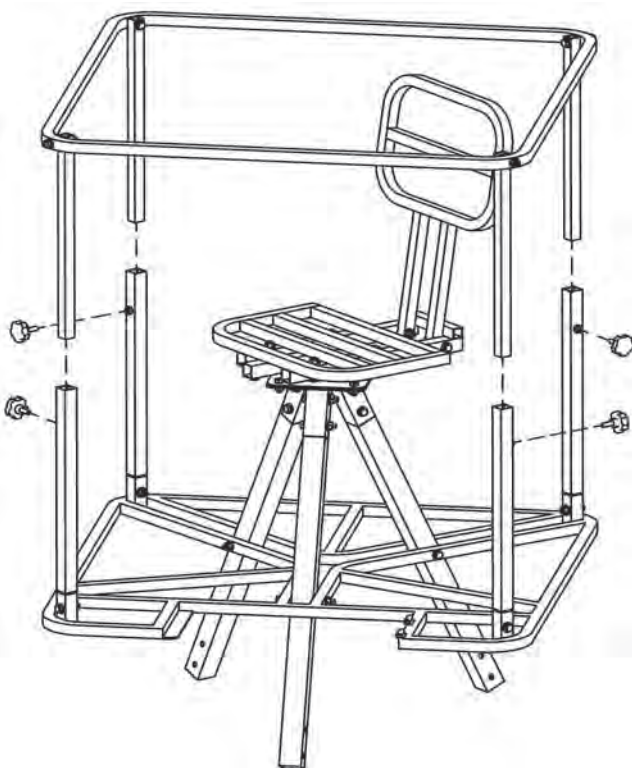
(1) Trap Door



(2) M8 x 70mm HEX BOLT
(2 Washers, 1 Lock-Nut)



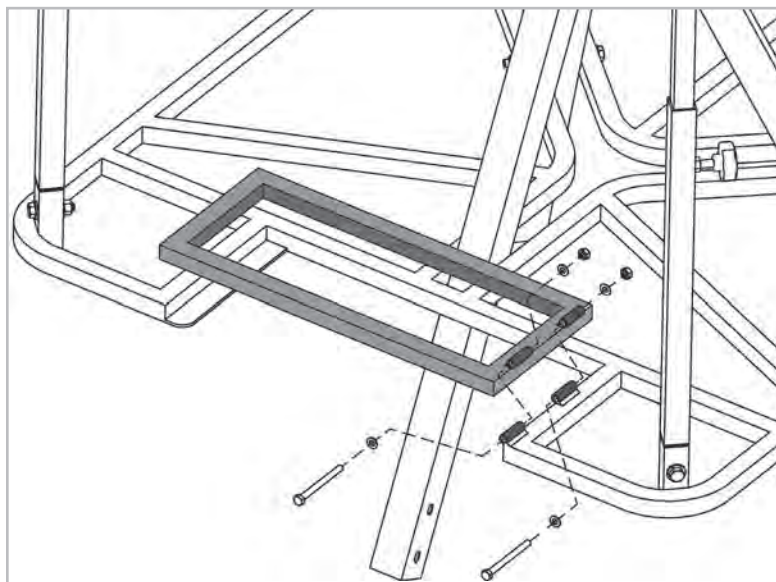
(4) Adjustment Knobs



Step 10: Insert **SHOOTING RAIL** and **UPPER SHOOTING RAIL SUPPORTS** into **LOWER SHOOTING RAIL SUPPORTS**. Use (4) **ADJUSTMENT KNOBS** to connect both halves together.

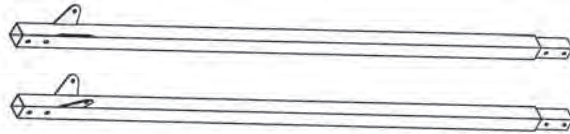


Loosen all four knobs to adjust Shooting Rail to a comfortable height.

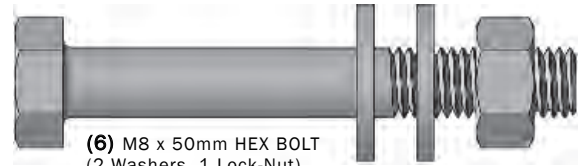


Step 11: Install **TRAP DOOR** to **PLATFORM** using (2) M6 x 70mm Bolts.

! NOTE: You will need:



(2) Right & Left Middle Legs



(6) M8 x 50mm HEX BOLT
(2 Washers, 1 Lock-Nut)

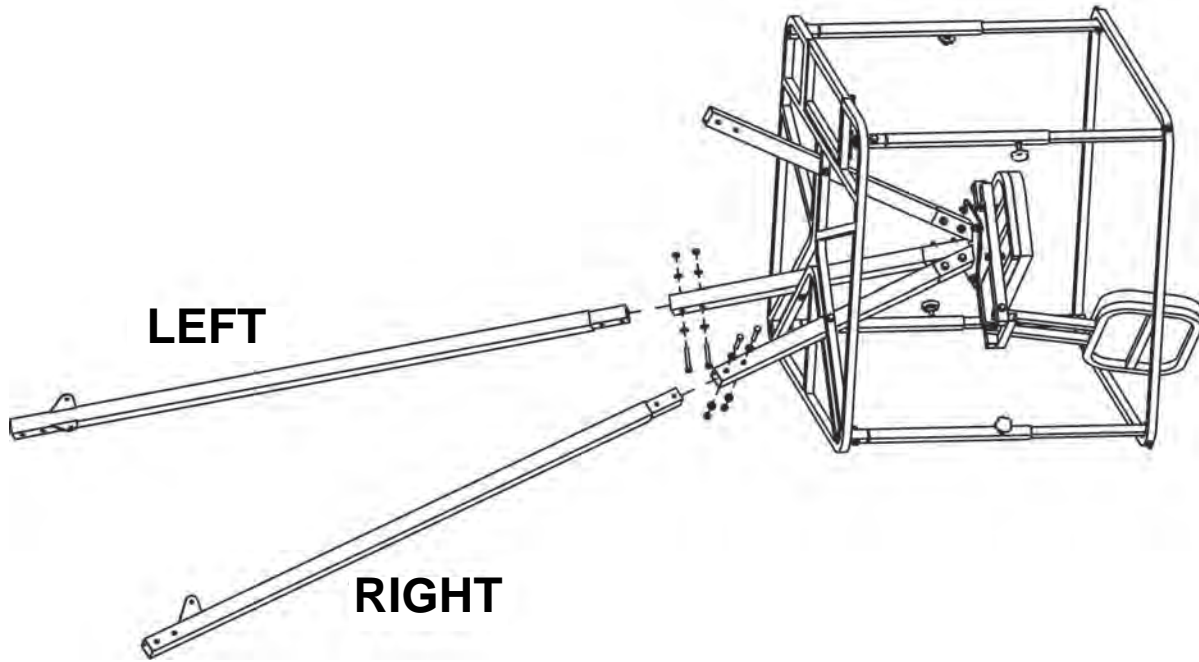
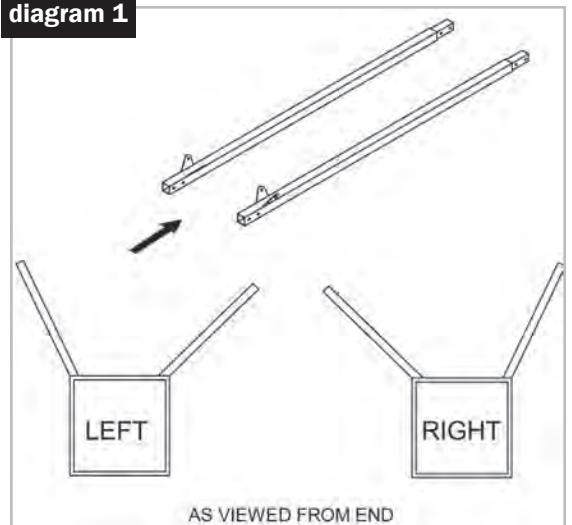


diagram 1



Step 12: Lay TRIPOD on its back as shown. Insert **RIGHT** and **LEFT MIDDLE LEGS** into **BOTTOM** of **UPPER LEGS** and secure with (4) M8 x 50mm bolts (2 bolts per leg).

Check tabs at bottom of each **MIDDLE LEG** to make sure legs are in proper holes. Tabs should appear as shown (**diagram 1**).

Insert (1) **MIDDLE LADDER LEG** into remaining Upper Leg and secure using (2) M8 x 50mm bolts per leg.

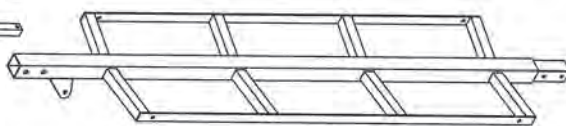
! NOTE: You will need:



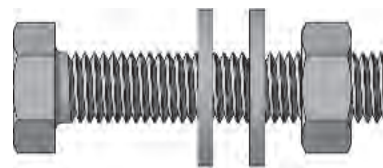
(2) Long Tripod Brace



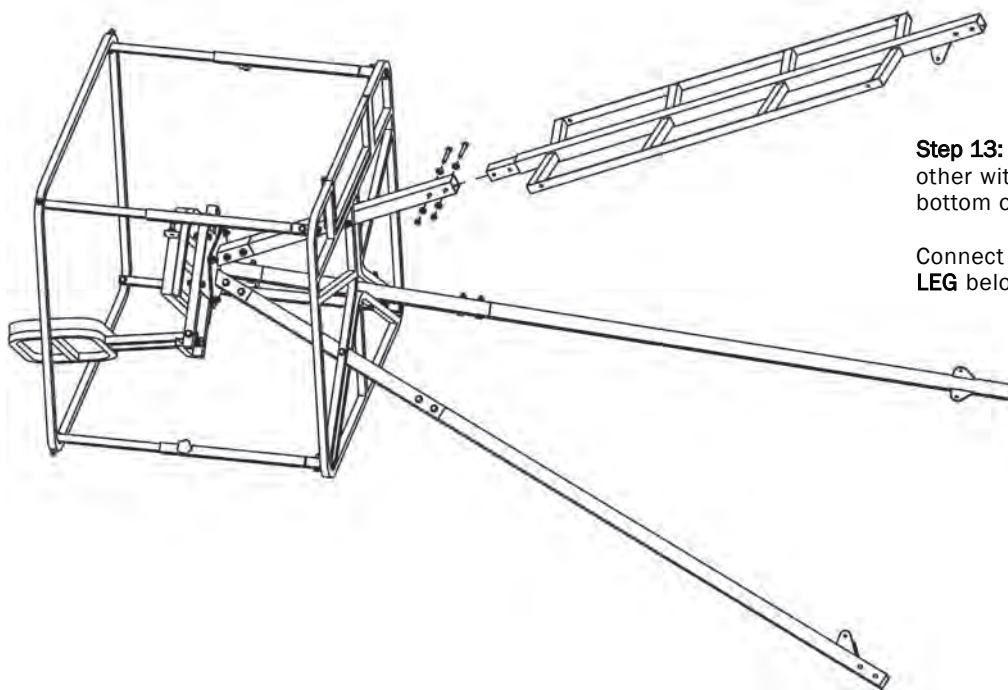
(1) Short Tripod Brace



(1) Middle Ladder Leg

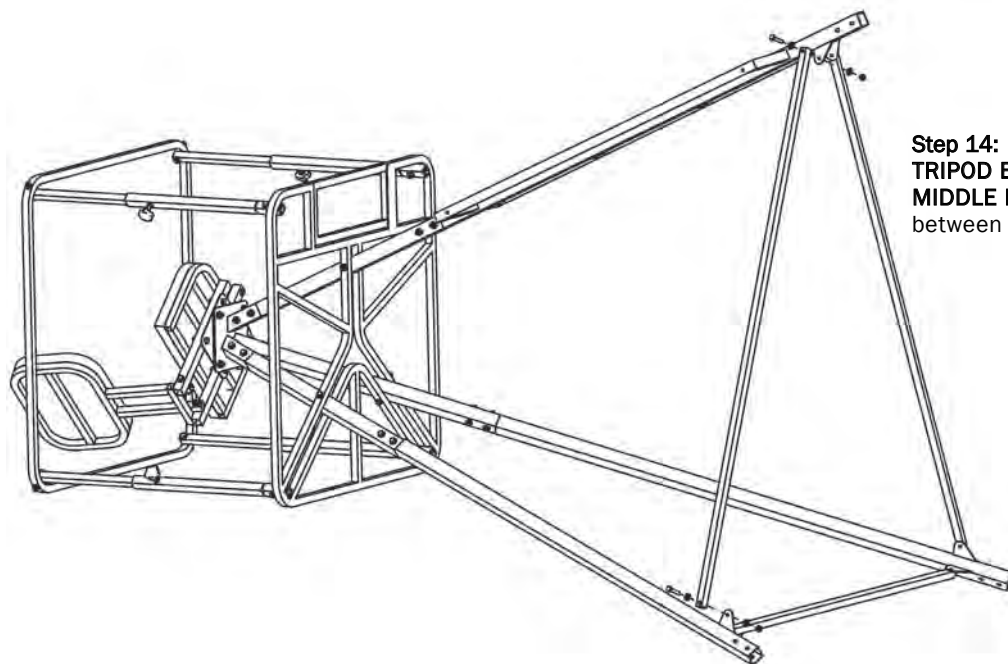


(10) M8 x 40mm HEX BOLT
(2 Washers, 1 Lock-Nut)



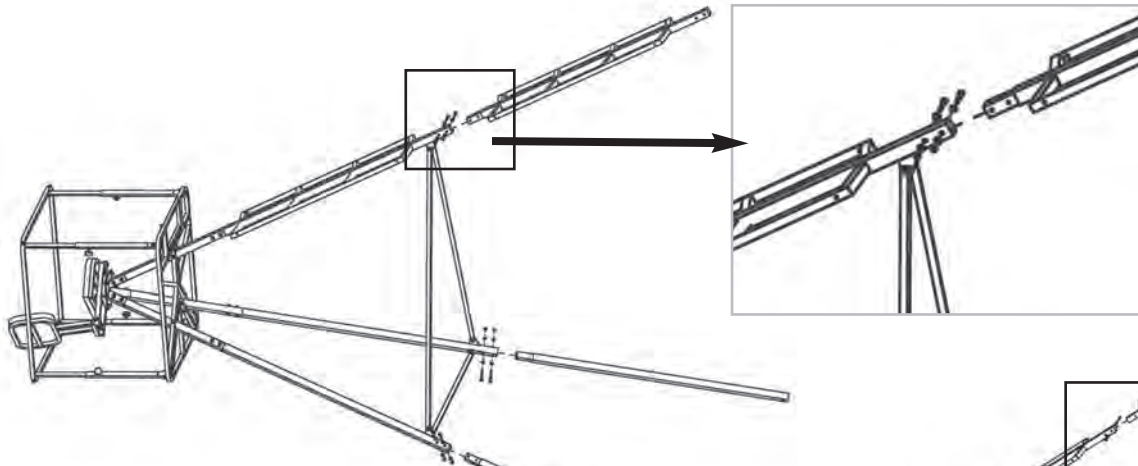
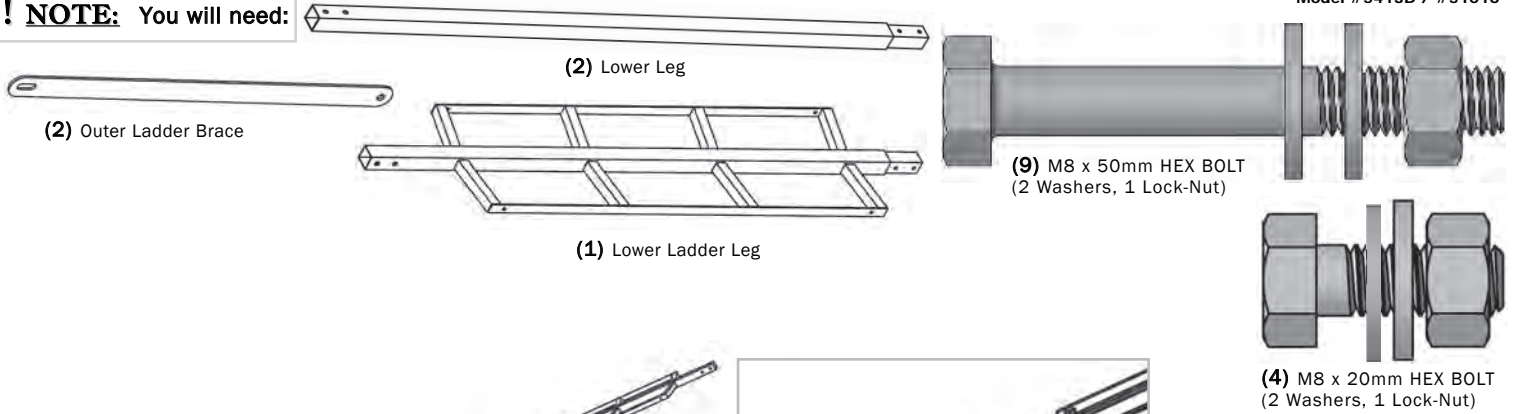
Step 13: Connect **MIDDLE LADDER LEG** to each other with **SHORT TRIPOD BRACE**, secure to tabs on bottom of **MIDDLE LEGS** using (2) M8 x 40mm bolt.

Connect **MIDDLE LADDER LEG** to **SHORT UPPER LEG** below **TRAP DOOR** using (2) M8 x 40mm bolts.

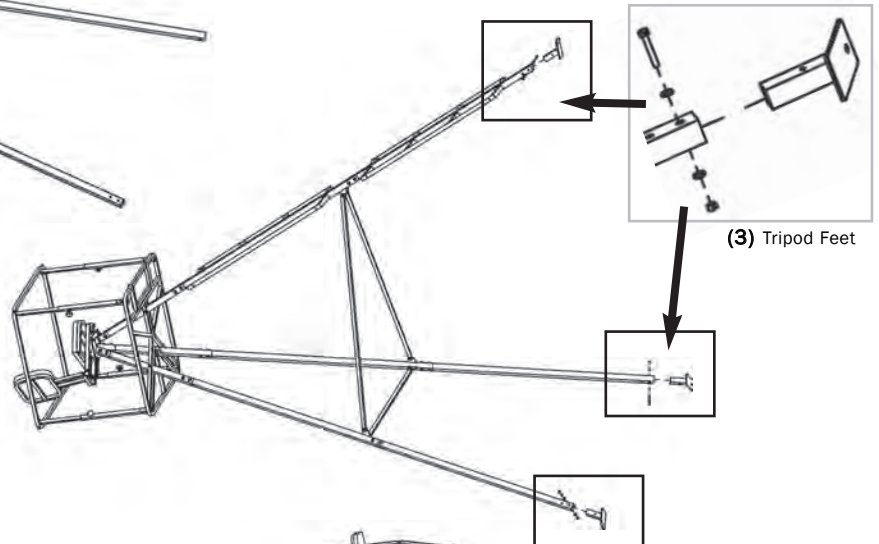


Step 14: Connect **ALL LEGS** by attaching (2) **LONG TRIPOD BRACES** from **MIDDLE LADDER LEG** back to **MIDDLE LEGS** and connect **SHORT TRIPOD BRACE** between **MIDDLE LEGS** using (6) M8 x 40mm bolts.

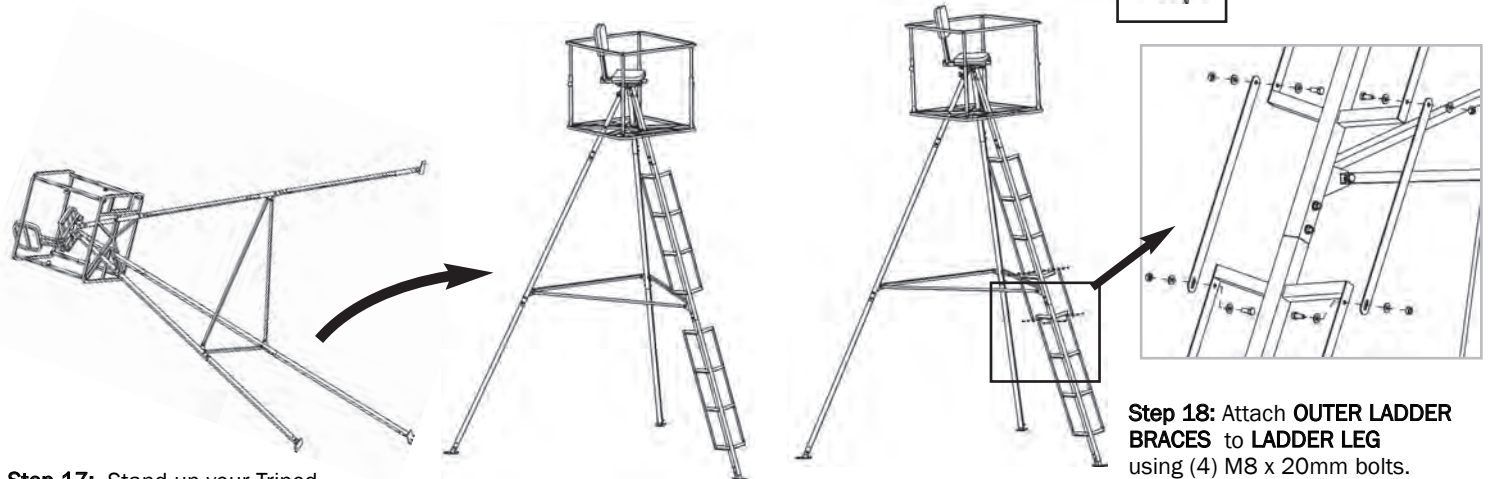
! NOTE: You will need:



Step 15: Insert **BOTTOM LEGS** into **BOTTOM** of **MIDDLE LEG SECTIONS** and **BOTTOM LEG** into **BOTTOM** of **MIDDLE LEG** using (6) M8 x 50mm bolts to secure them all.



Step 16: Insert **TRIPOD FEET** into **BOTTOM LEGS** and secure using (3) M8 x 50 mm bolts.



Step 17: Stand up your Tripod.

Step 18: Attach **OUTER LADDER BRACES** to **LADDER LEG** using (4) M8 x 20mm bolts.

Once the assembled tripod has been set up in the field, use (3) Stakes to secure tripod feet to ground.



! CAUTION: Make sure tripod legs are on level ground at all times. Do not use in hazardous weather conditions such as lightning, high winds, and freezing rain.