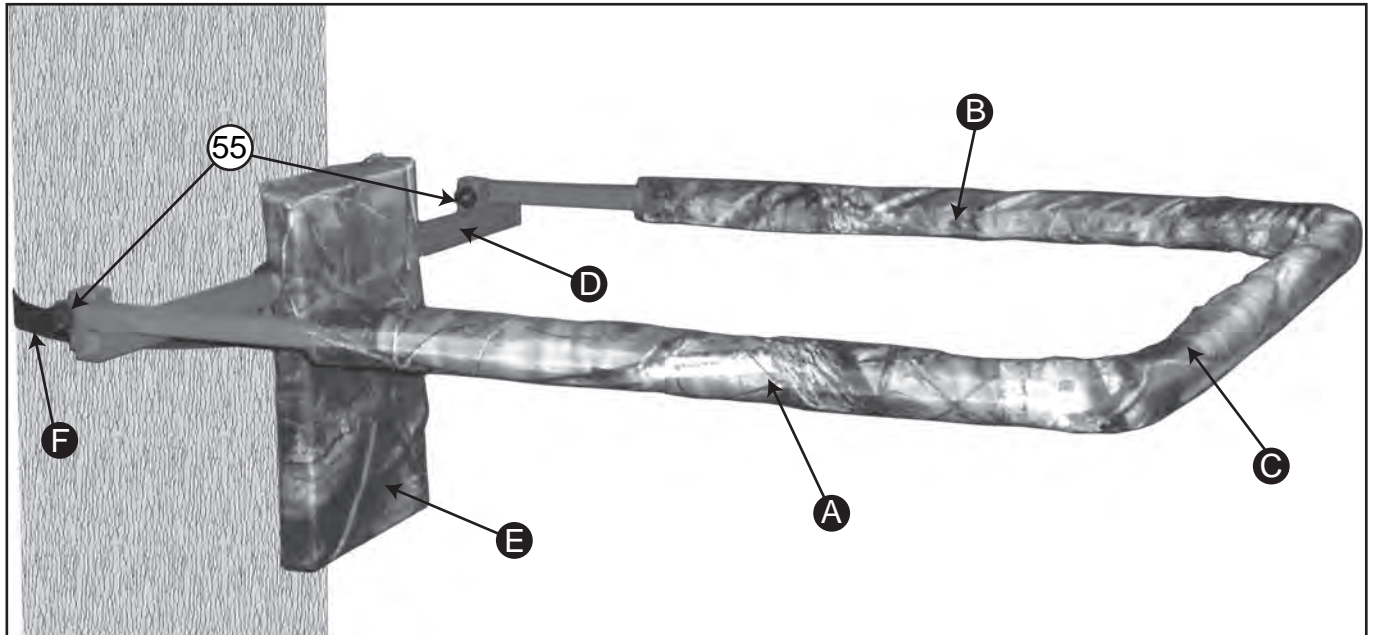


MODEL: SGAC-100
Universal Shooting Rail

- Always Wear a Safety Harness with this Product
- Tree Size: 9"-18" diameter



! WARNING

ALWAYS attach your harness to the tree before you leave the ground.

DO NOT carry shooting rail up or down the tree stand.
ALWAYS use a hoist system to raise and lower shooting rail to tree stand.

DO NOT stand on the seat platforms of the tree stand to install shooting rail. Stand on the foot platform **ONLY**.

DO NOT lean on shooting rail. This shooting rail is designed to balance the weight of your weapon **NOT** a person.

THANK YOU! for purchasing the Universal Shooting Rail by Primal Vantage

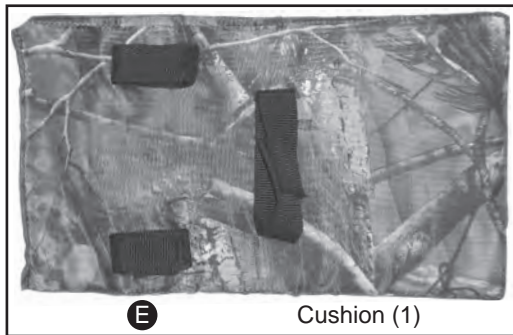
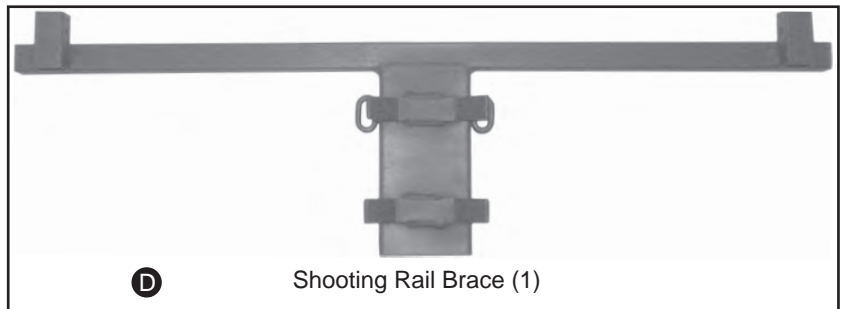
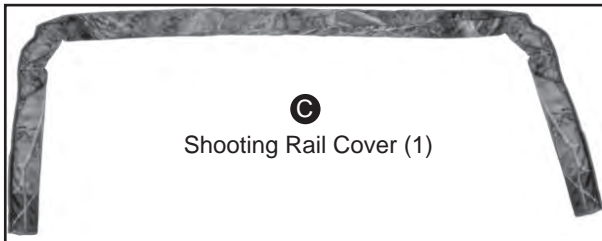
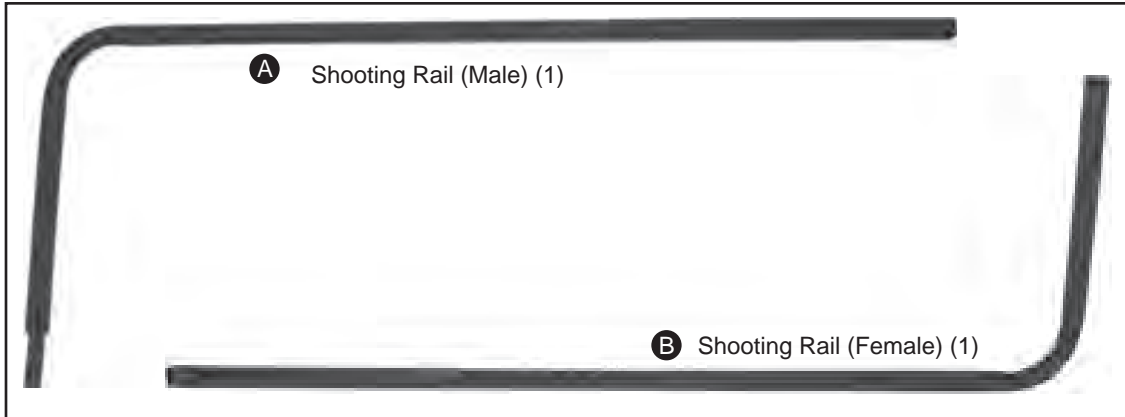
! WARNING

Every year serious injury and even death occurs from hunting related falls. To ensure your safety, please **COMPLETELY** read and follow this safety manual and ALL warning labels **BEFORE** assembling, installing or utilizing this product.

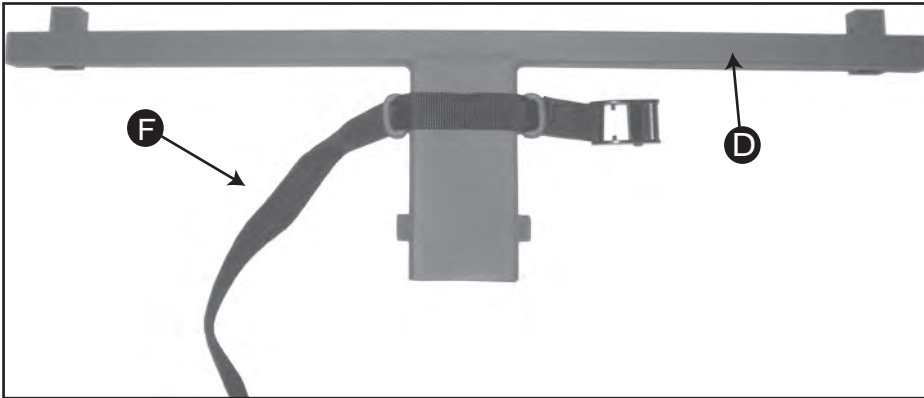
DO NOT USE THIS PRODUCT BEFORE FULLY UNDERSTANDING ALL SAFETY WARNINGS AND INSTRUCTIONS. IF YOU HAVE QUESTIONS, ARE UNSURE ABOUT ANY INFORMATION OR NEED ADDITIONAL INFORMATION CONCERNING YOUR PRODUCT, CONTACT OUR CUSTOMER SERVICE DEPARTMENT AT 1-800-722-7345 OR VISIT WWW.TREESTANDCUSTOMERSERVICE.COM. KEEP AND MAINTAIN THIS SAFETY AND INSTRUCTION MANUAL IN A SAFE LOCATION FOR FUTURE REFERENCE.

MODEL: SGAC-100
Universal Shooting Rail

- Always Wear a Safety Harness with this Product
- Tree Size: 9"-18" diameter

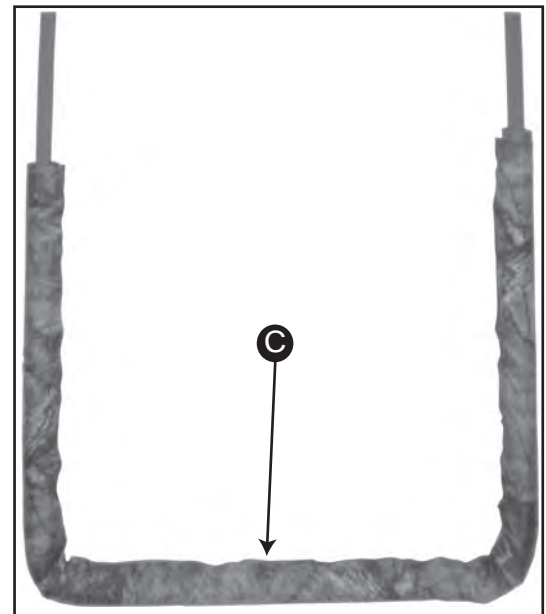
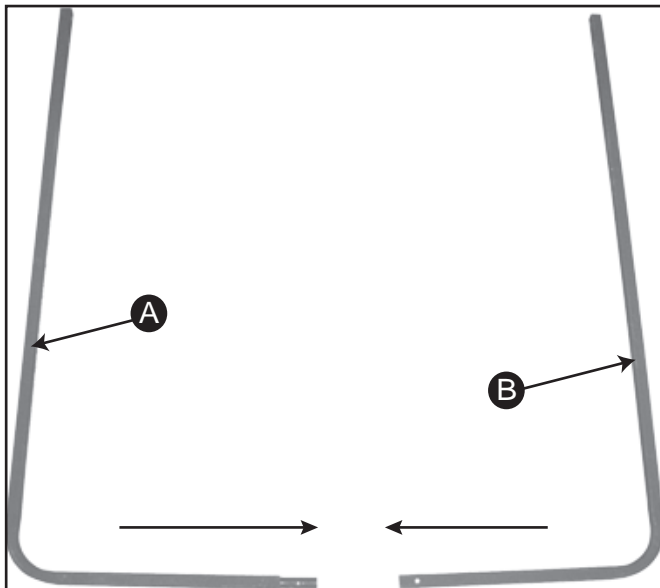
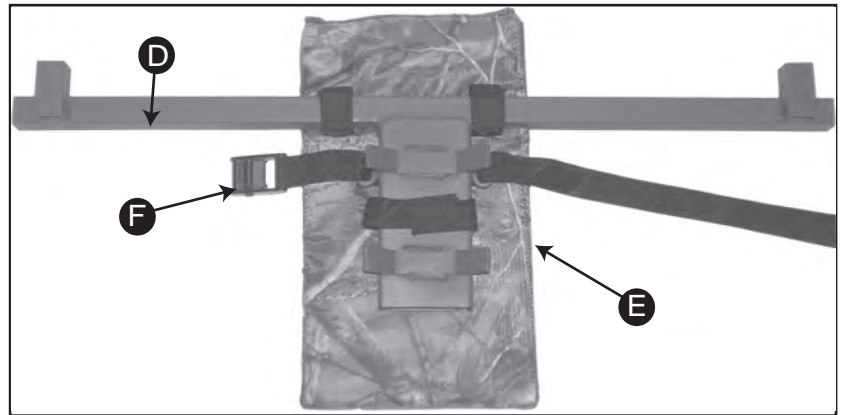


Parts List		
A	1 Shooting Rail (Male)	Part # GMSR-1000
B	1 Shooting Rail (Female)	Part # GFSR-1000
C	1 Shooting Rail Cover	Part # GSRC-1000
D	1 Shooting Rail Brace	Part # GSRB-1000
E	1 Cushion	Part # GC-1000
F	1 Buckle Strap	Part # GCB-100
55	2 M10x55mm Bolt	Part # 1055

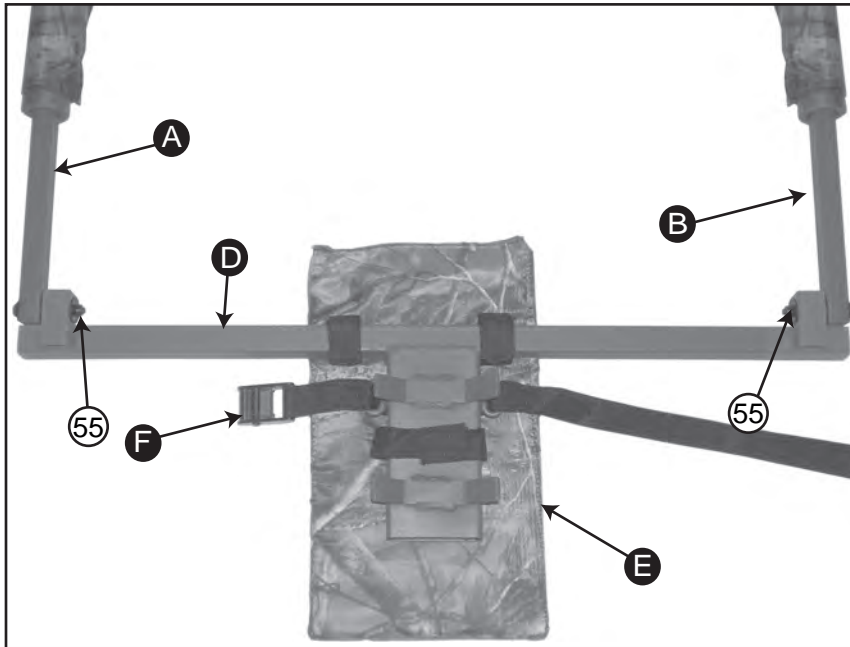


1. The Buckle Strap **F** should already come pre-assembled through Shooting Rail Brace **D**. If it becomes unattached, turn the Shooting Rail Brace over so that the tree braces are on the ground. Weave the strap through the eyelets on the Brace.

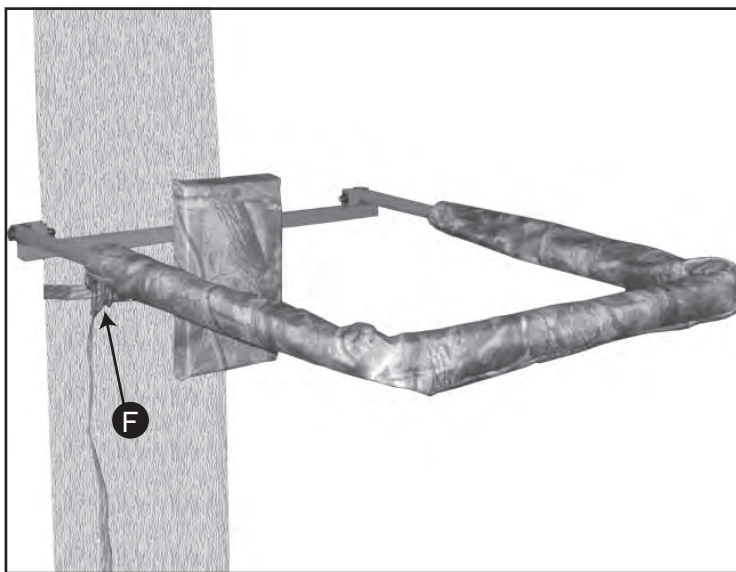
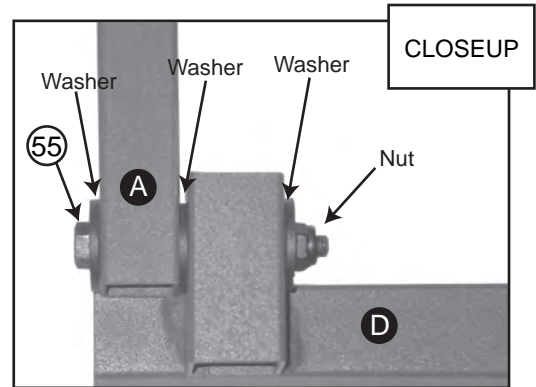
2. Attach Cushion **E** to the flat side of Shooting Rail Brace **D** by using the self sticking fabric straps.



3. Slide both sections of the Shooting Rail together. Attach Shooting Rail Cover **C** to the Shooting Rail.



4. Attach each side of assembled Shooting Rail to Shooting Rail Brace **D** using **1-M10x55mm Bolt** on each side. **See Closeup.**



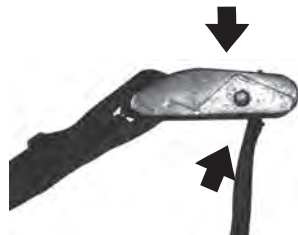
5. Attach your harness to the tree before beginning to climb your tree stand. Use a safe hoist/lift system to raise the assembled shooting rail kit into position on the tree.
Wrap the strap around the back of the tree and insert into the buckle. **(See Buckle Strap Instructions)**

Buckle Instructions



1. Hold buckle as shown in Fig. 1

Fig. 1



2. Press down on latch and insert strap underneath teeth as shown in Fig. 2.

Fig. 2



3. Pull strap to desired length.

Fig. 3



4. Pull slack to tighten.

Fig. 4

ALWAYS tug on strap to make sure it is secured by the buckle before use