

MODEL: HEH00515

Comfort Kit

- Always Wear a Safety Harness with this Product
- Setup at Ground Level
- For Use with Model #HEH00501

FIELD & STREAM™



Warning

BE SURE to lower the stand to the ground before assembling the Comfort Kit to your stand. You **MUST** have the help of at least two other people

The enclosed Comfort Kit is only to be used for Ladderstand Model # HEH00501

THANK YOU! for purchasing the Comfort Kit by Primal Vantage Company Inc.

Warning

Every year serious injury and even death occurs from hunting related falls. To ensure your safety, please **COMPLETELY** read and follow this safety manual and ALL warning labels **BEFORE** assembling, installing or utilizing this product.

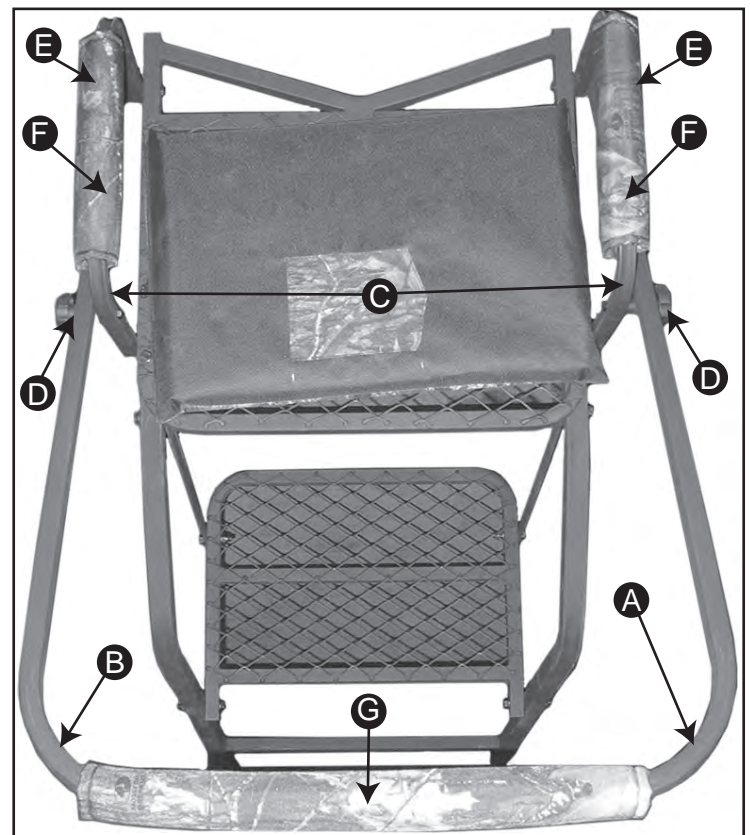
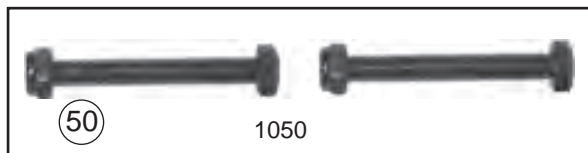
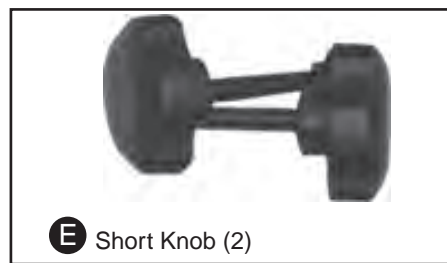
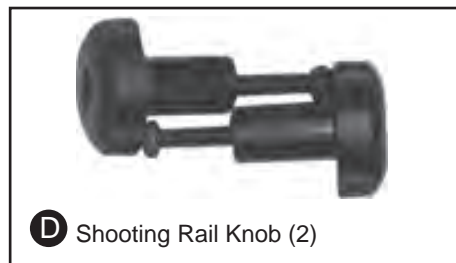
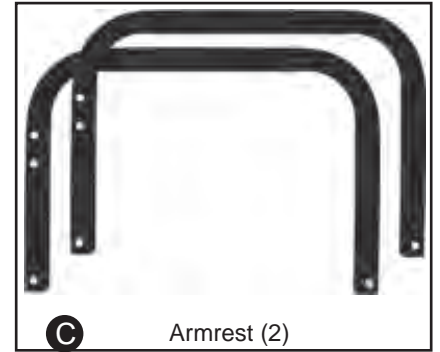
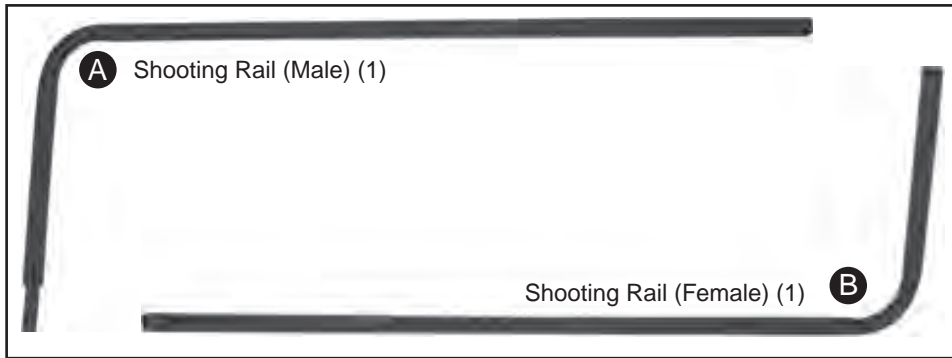
DO NOT USE THIS PRODUCT BEFORE FULLY UNDERSTANDING ALL SAFETY WARNINGS AND INSTRUCTIONS. IF YOU HAVE QUESTIONS, ARE UNSURE ABOUT ANY INFORMATION OR NEED ADDITIONAL INFORMATION CONCERNING YOUR PRODUCT, CONTACT OUR CUSTOMER SERVICE DEPARTMENT AT 1-800-722-7345 OR VISIT WWW.TREESTANDCUSTOMERSERVICE.COM. KEEP AND MAINTAIN THIS SAFETY AND INSTRUCTION MANUAL IN A SAFE LOCATION FOR FUTURE REFERENCE.

MODEL: HEH00515
Comfort Kit

- Always Wear a Safety Harness with this Product
- Setup at Ground Level
- For Use with Model #HEH00501

Parts List

A	1 Shooting Rail (Male)	Part # DSR-660
B	1 Shooting Rail (Female)	Part # DSR-665
C	2 Armrest	Part # DAR-690
D	2 Shooting Rail Knob	Part # SRK-100
E	2 Short Knob	Part # SK-100
F	2 Armrest Cover	Part # DPAC-660
G	1 Shooting Rail Cover	Part # DPSC-660
50	2 M10x50mm Bolt	Part # 1050

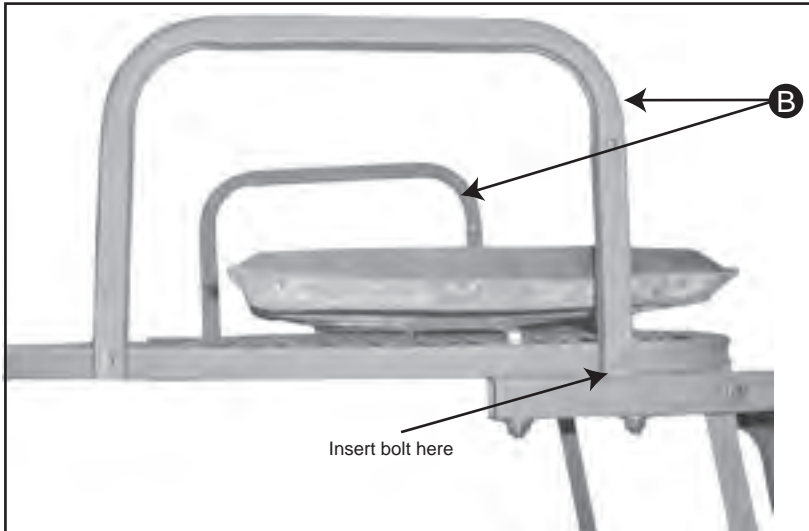


Warning
BE SURE to lower the stand to the ground before assembling the Comfort Kit to your stand. You **MUST** have the help of at least two other people

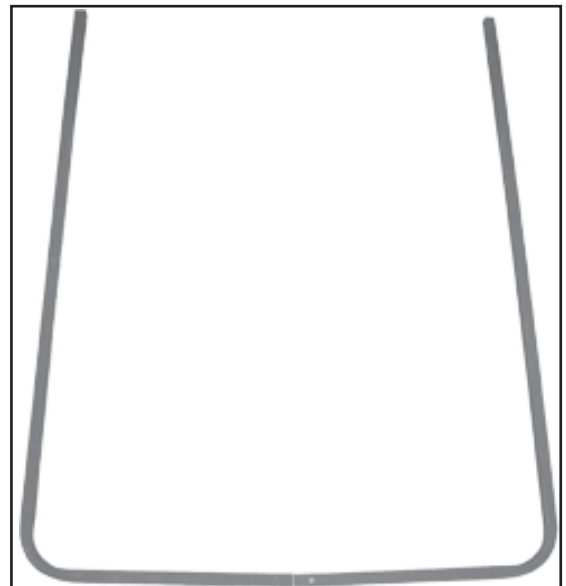
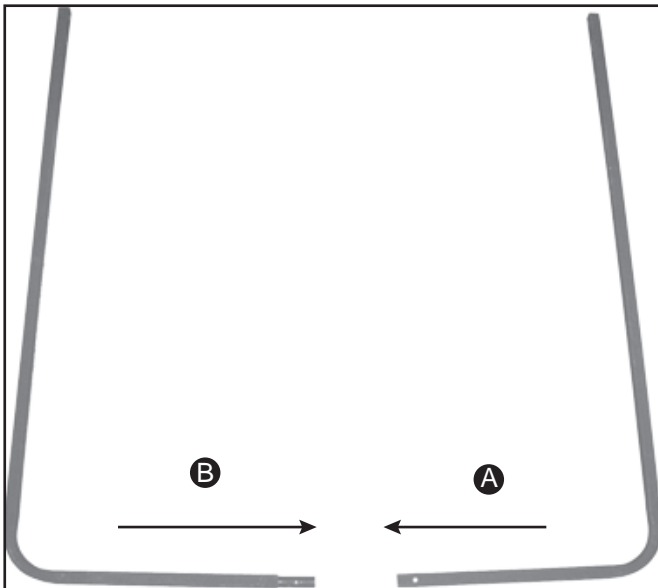
The enclosed Comfort Kit is only to be used for Ladderstand Model # HEH00501

FIELD & STREAM™

BE SURE to lower the stand to the ground before assembling the Comfort Kit to your stand.
You **MUST** have the help of at least two other people

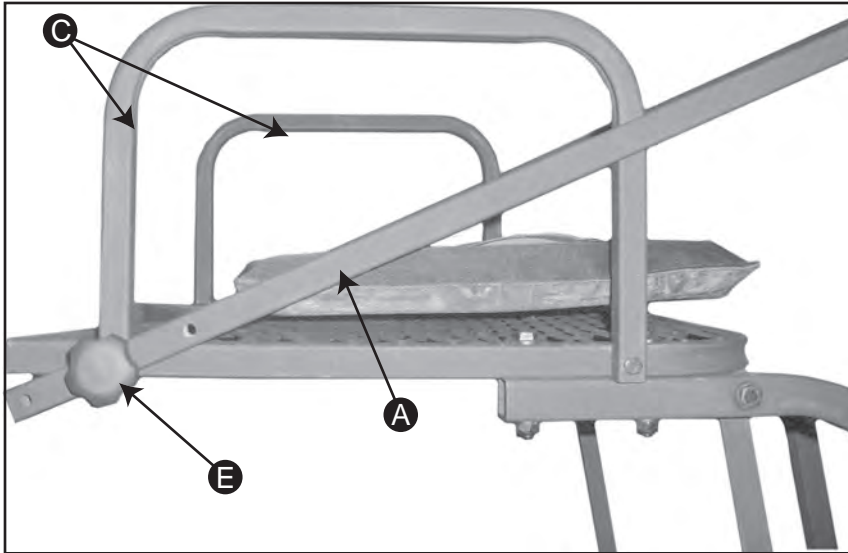


1. Attach the front of Arm Rests **B** to each side of the seat platform using **1-M10x50mm bolt** on each side.

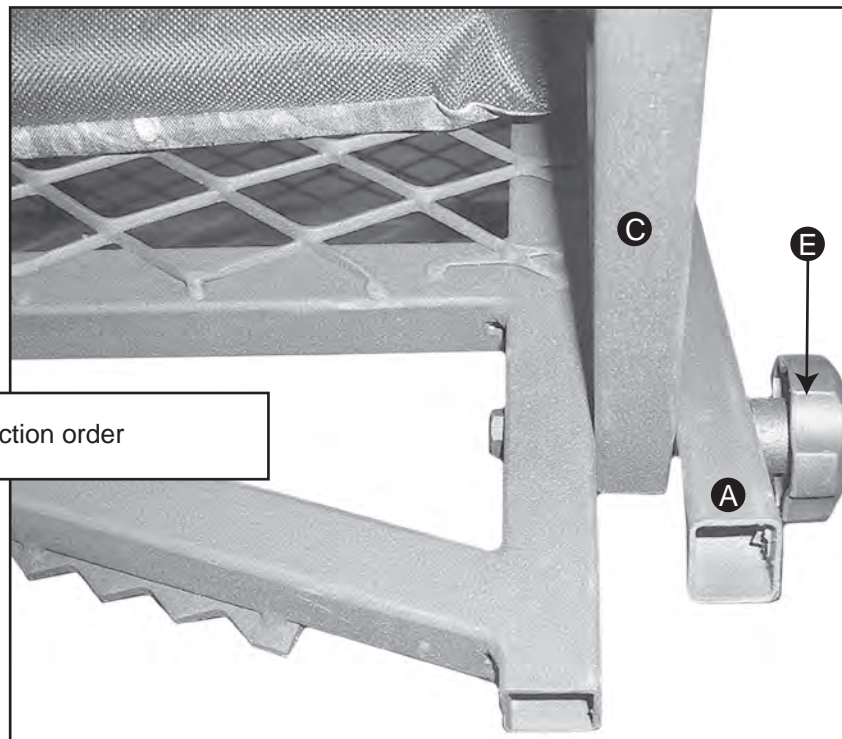


2. Slide male section of Shooting Rail **A** into the female end of Shooting Rail **B**.

BE SURE to lower the stand to the ground before assembling the Comfort Kit to your stand.
You **MUST** have the help of at least two other people

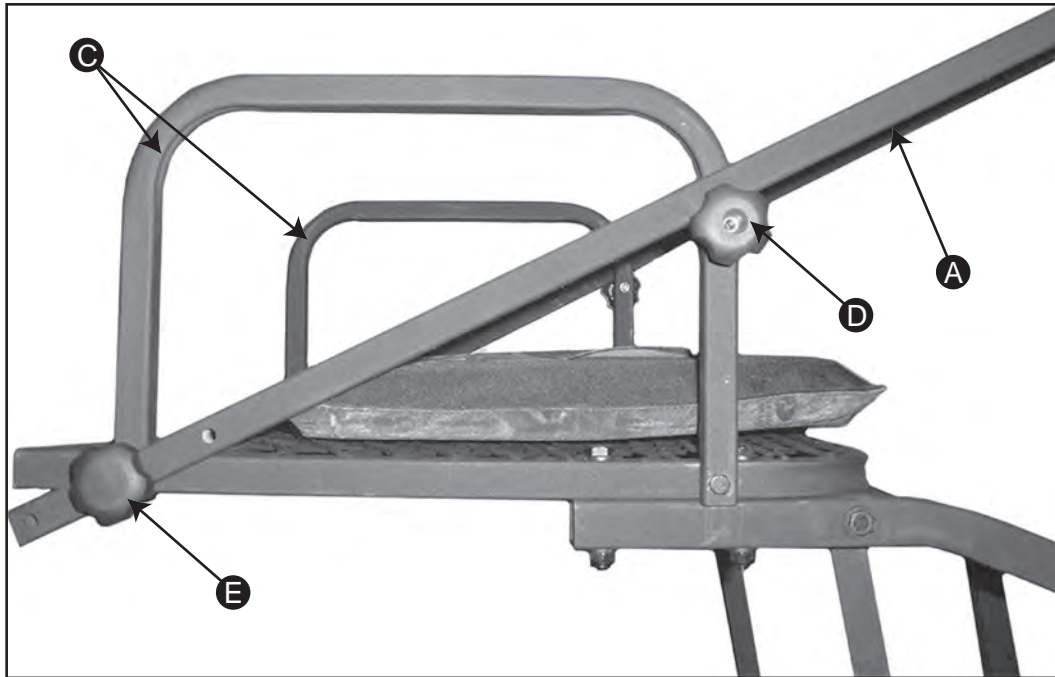


3. Attach the rear of Shooting Rest to the rear of Arm Rest **C** using Short Knob **E**. Insert the bolt through the seat platform, then through the Arm Rest and then through the Shooting Rail. Tighten the knob to secure the three parts together. Repeat for other side.



Close-up of connection order

BE SURE to lower the stand to the ground before assembling the Comfort Kit to your stand.
You **MUST** have the help of at least two other people



4. Insert the bolt of Shooting Rail Knob **D** through the front hole on Arm Rest **C** and secure with the plastic knob. The Shooting Rail will rest on top of the knob.



5. Attach Arm Rest Cover **E** to each Arm Rest and attach Shooting Rail Cover **F** to the Shooting Rail.