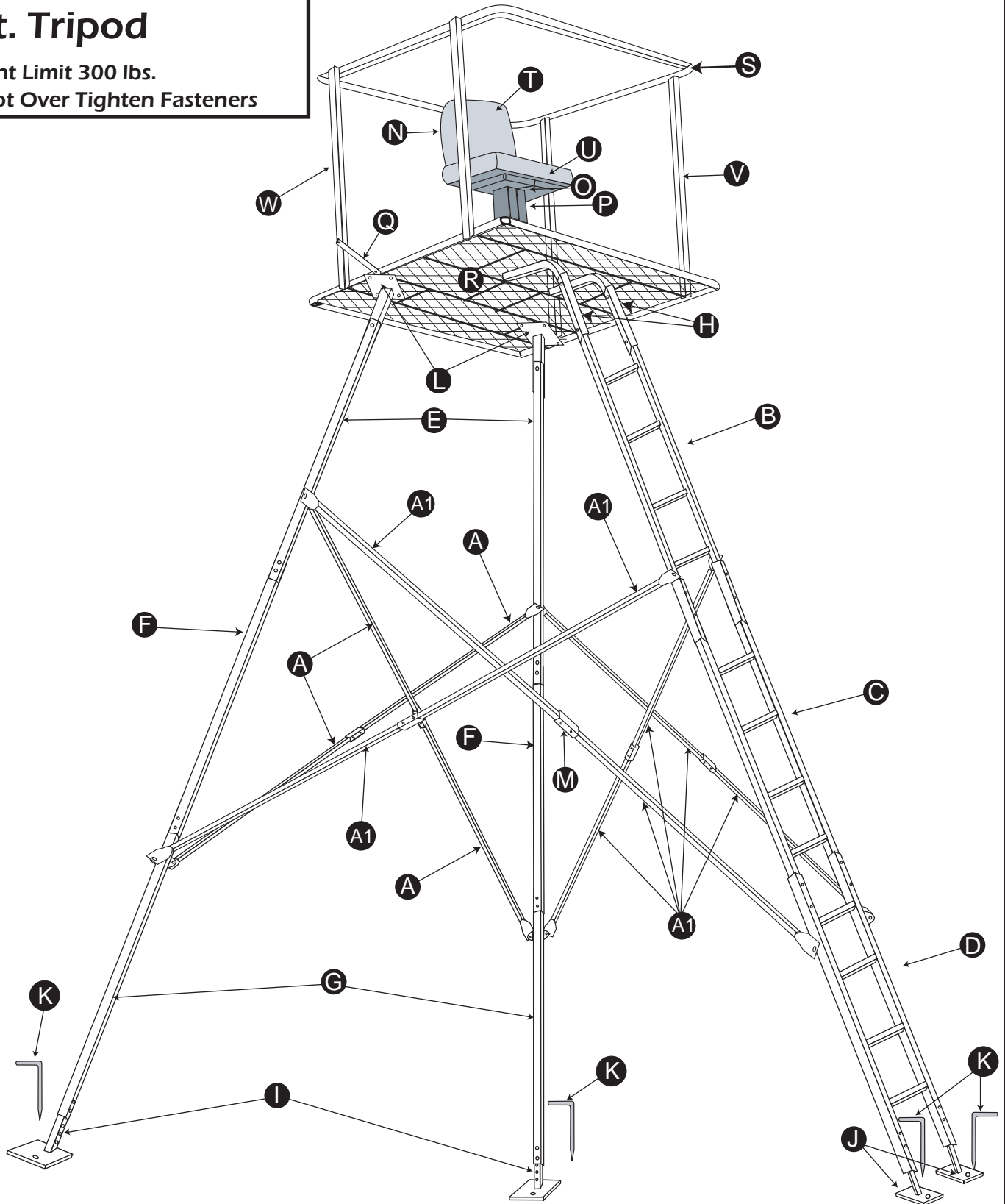


Model: AMTS-14R

14Ft. Tripod

- Weight Limit 300 lbs.
- Do Not Over Tighten Fasteners



THANK YOU! for purchasing the Sportsman's 14' Tripod by Tahsin Industrial Corp USA.

⚠ Warning

Every year serious injury and even death occurs from hunting related falls. To ensure your safety, please **COMPLETELY** read and follow this safety manual and ALL warning labels **BEFORE** assembling, installing or utilizing this product.

DO NOT USE THIS PRODUCT BEFORE FULLY UNDERSTANDING ALL SAFETY WARNINGS AND INSTRUCTIONS. IF YOU HAVE QUESTIONS, ARE UNSURE ABOUT ANY INFORMATION OR NEED ADDITIONAL INFORMATION CONCERNING YOUR PRODUCT, CONTACT OUR CUSTOMER SERVICE DEPARTMENT AT 1-800-722-7345 OR VISIT WWW.TREESTANDCUSTOMERSERVICE.COM. KEEP AND MAINTAIN THIS SAFETY AND INSTRUCTION MANUAL IN A SAFE LOCATION FOR FUTURE REFERENCE.

MODEL: AMTS-14R 14' Tripod

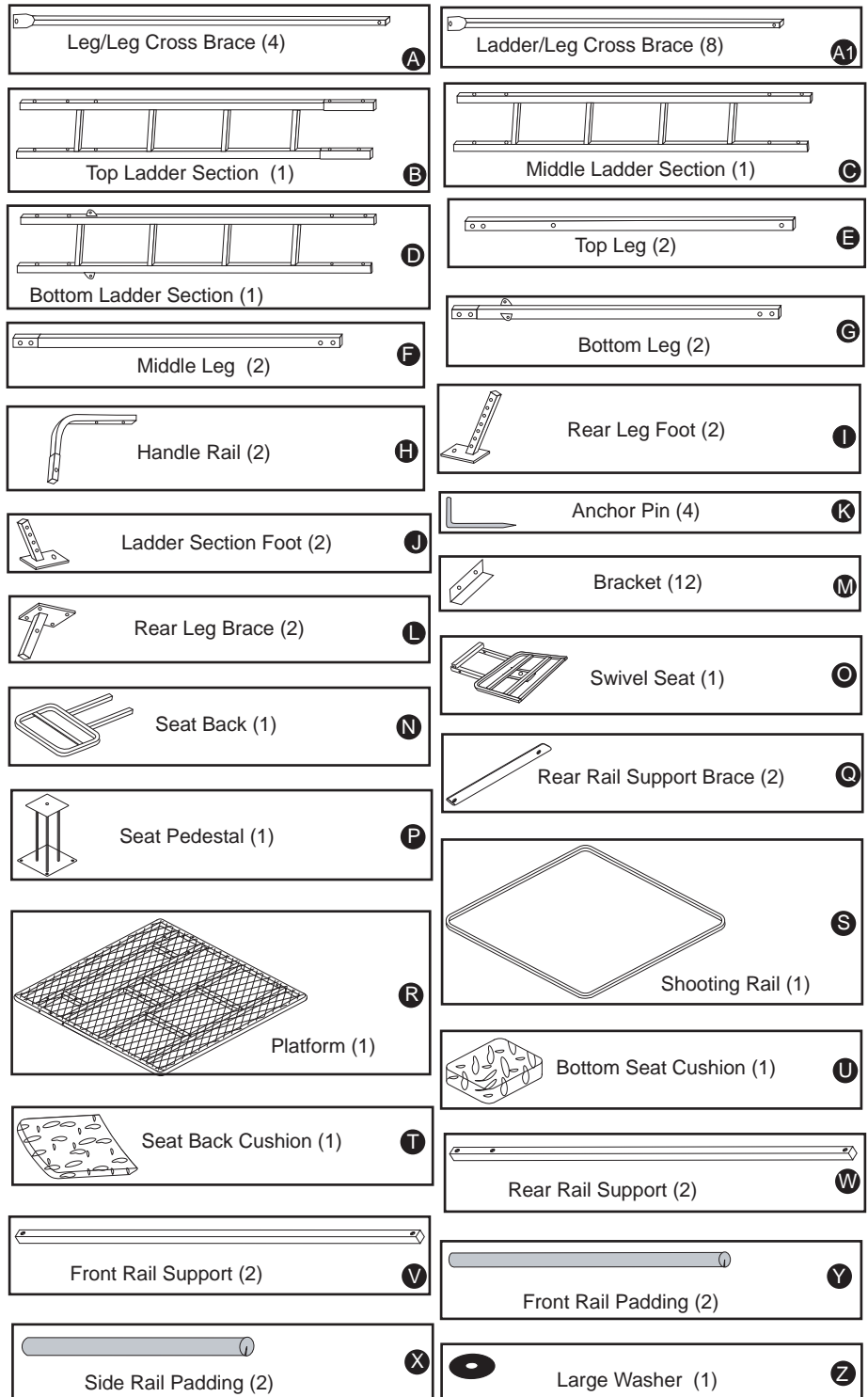
• Weight Limit: 300 lbs.

Parts List

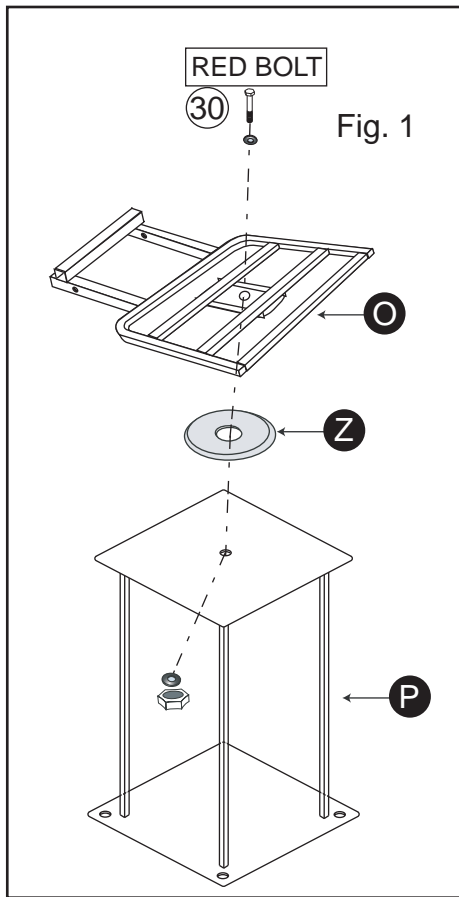
A	4 Leg/Leg Cross Brace	Part # WCB-600
A1	8 Ladder/Leg Cross Brace	Part # WCB-650
B	1 Top Ladder Section	Part # WL-6000
C	1 Middle Ladder Section	Part # WL-6250
D	1 Bottom Ladder Section	Part # WL-6500
E	2 Top Leg	Part # WL-6100
F	2 Middle Leg	Part # WL-6200
G	2 Bottom Leg	Part # WL-6300
H	2 Handle Rail	Part # WHR-600
I	2 Rear Leg Foot	Part # WLF-600
J	2 Ladder Section Foot	Part # WLF-650
K	4 Anchor Pin	Part # WAP-600
L	2 Rear Leg Brace	Part # WLB-600
M	12 Bracket	Part # WB-600
N	1 Backrest	Part # WBR-600
O	1 Swivel Seat	Part # WSS-601
P	1 Seat Pedestal	Part # WSP-600
Q	2 Rear Rail Support Brace	Part # WSB-650
R	1 Platform	Part # WP-601
S	1 Shooting Rail	Part # WSR-601
T	1 Seat Back Cushion	Part # WSC-600
U	1 Bottom Seat Cushion	Part # WSC-651
V	2 Front Rail Support	Part # WRS-600
W	2 Rear Rail Support	Part # WRS-650
X	2 Side Rail Padding	Part # WPAC-600
Y	2 Front/Rear Rail Padding	Part # WPSC-600
Z	1 Large Washer	Part # WLW-600

Hardware

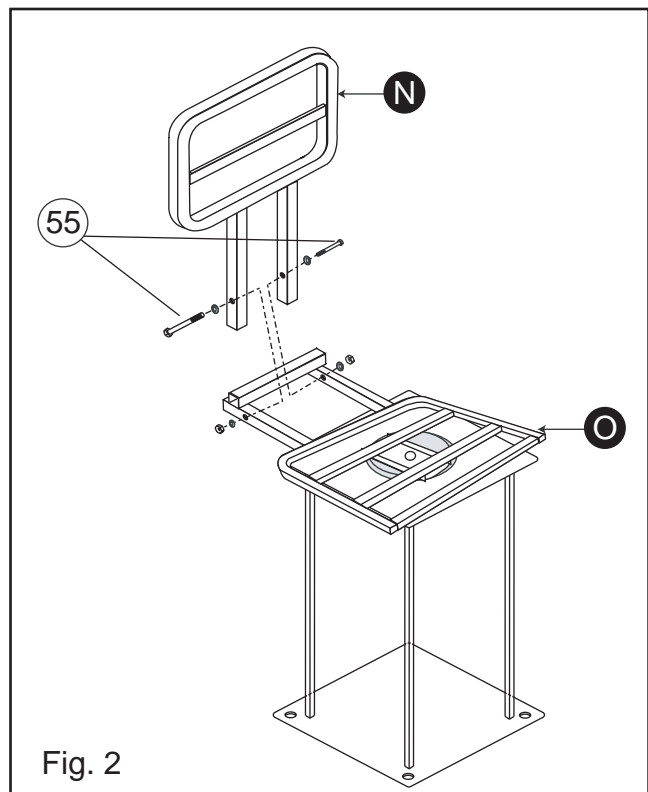
65	14	M12x65mm Bolt	Part # 1265
55	20	M12x55mm Bolt	Part # 1255
45	36	M12x45mm Bolt	Part # 1245
30	1	M12x30mm RED Bolt	Part # 1230R
20	6	M12x20mm Bolt	Part # 1220
	154	M12 Washer	Part # 1200
	77	M12 Nut	Part # 1210



NOTE: ALL WASHERS ARE AGAINST THE BOLT HEAD AND NUT UNLESS OTHERWISE NOTED.

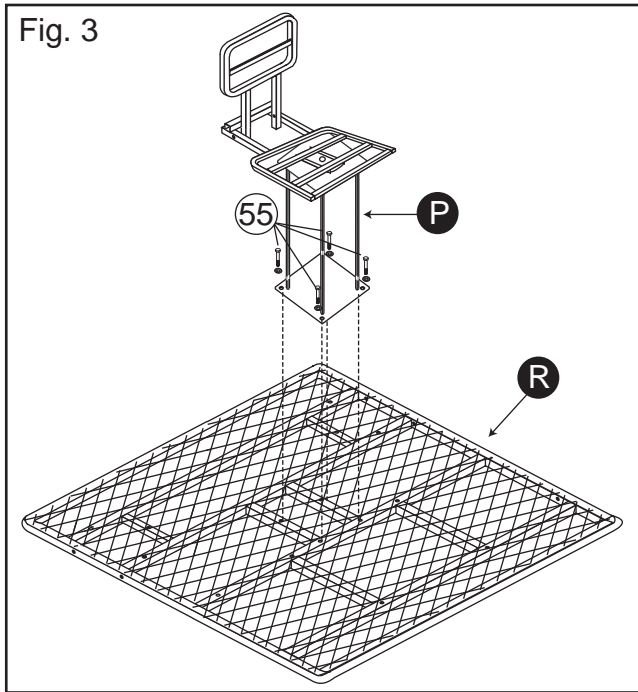


1. Place Large Washer **Z** over the hole on the Seat Pedestal **P**, Attach Swivel Seat **O** to Seat Pedestal **P** using the 1- **RED 30mm bolt**. (See Fig. 1)



2. Attach Backrest **N** to Swivel Seat **O**. Attach with **2-55mm bolts**. (See Fig. 2)

Fig. 3



3. Attach Seat Pedestal **P** to Platform **R** with **4-55mm bolts** (See Fig. 3)

4. Attach Front Rail Support Bars **V** to front of Platform **R** with **1-65mm bolt** for each side. Then, attach Rear Rail Support Bars **W** to rear of Platform **R** with **1-65mm bolt** for each side. (See Fig. 4)

5. Attach Rear Rail Support Brace **Q** to rear of Platform **R** and Rear Rail Support Bars **W** with **2-45mm bolts** for each side. (See Fig. 4)

Fig. 4

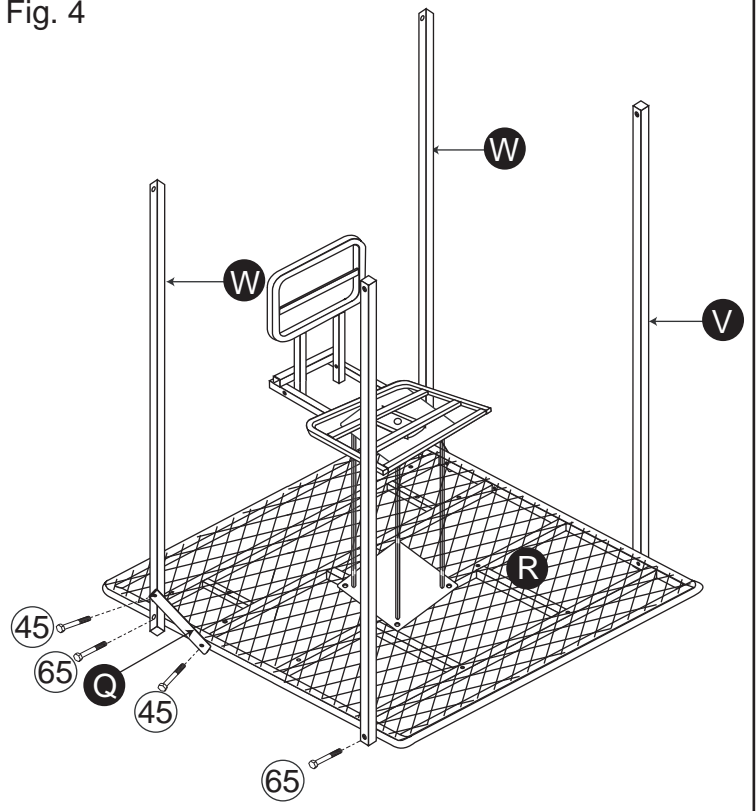
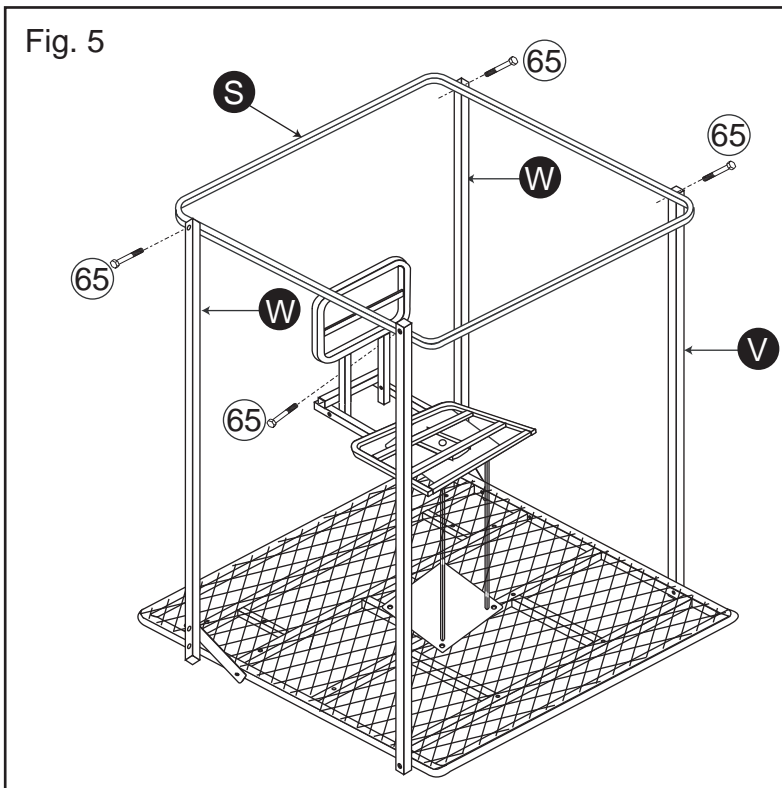


Fig. 5



6. Attach front of Shooting Rail **S** to Front Rail Support **V** with **1-65mm bolt** for each side. (See Fig. 5)

7. Attach rear of Shooting Rail **S** to Rear Rail Support **W** with **1-65mm bolt** for each side. (See Fig. 5)

8. Insert Seatback Cushion **T** to Backrest **N**. (See Fig. 6)

9. Attach Seat Cushion **U** to Seat Swivel **O**. (See Fig. 6)

10. Attach Front/Rear Rail Padding **Y** to front and rear of Rail and attach Side Rail Padding **X** to sides of Shooting Rail. Wrap Camo material around Pads. (See Fig. 6)

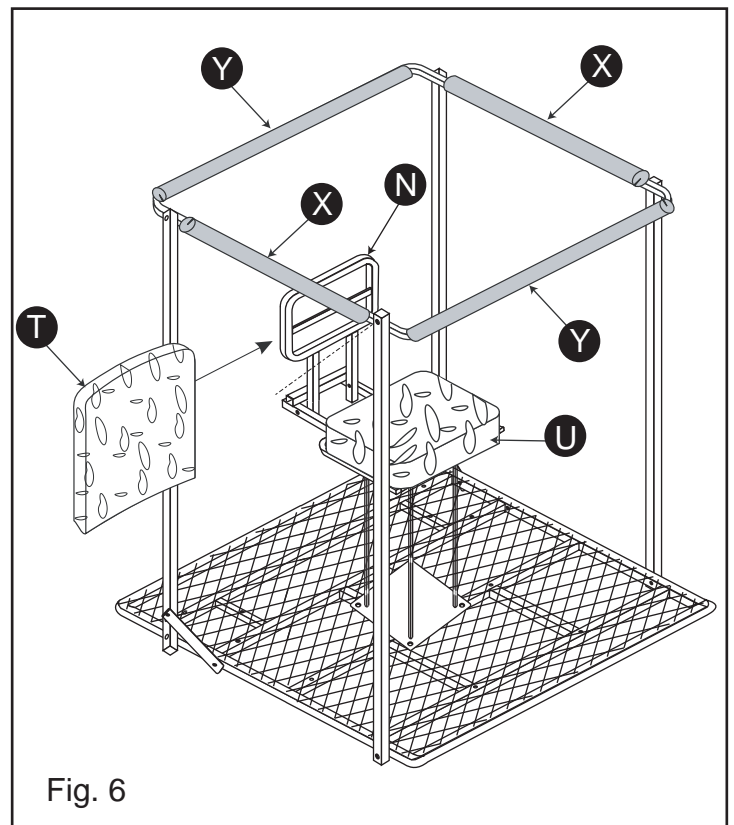
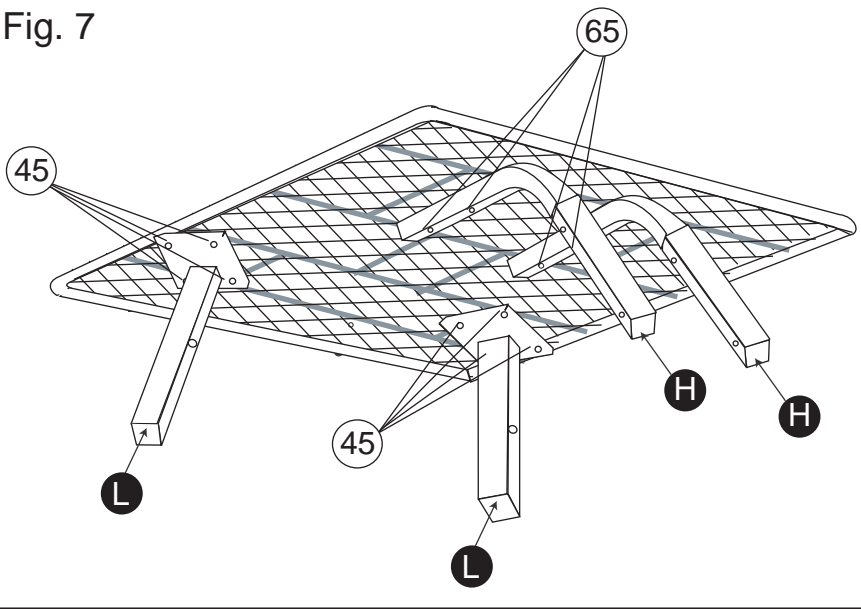


Fig. 6

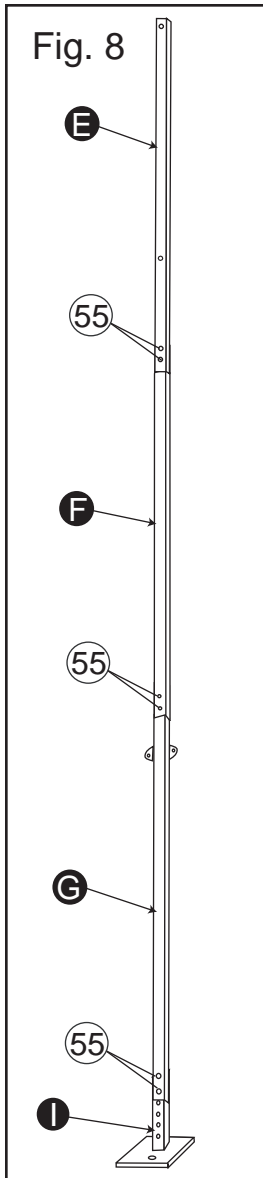
Fig. 7



11. Lean platform over and attach Rear Leg Braces **L** to the underside of the platform, facing the rear and outside. Secure with **4-45mm bolts** for each Brace. (See Fig. 7)

12. Attach the Handle Rails **H** to the underside and front of the platform. Secure with **2-65mm bolt** on each side. (See Fig. 7)

Fig. 8



13. Insert Leg **G** into Leg **F**. Attach with **2-55mm bolts**. Insert Leg **F** into Leg **E**. Attach with **2-55mm bolts**. Insert Foot **I** into Leg **G**. Attach with **2-55mm bolts** for each leg. **You must secure the feet with two bolts.** (See Fig. 8) Do this for both sets of legs.

14. Insert Middle Ladder Section **C** into Bottom Ladder Section **D**. Secure with **2-45mm bolts** for each side. Insert Middle Ladder Section **C** into Top Ladder Section **B**. Secure with **2-45mm bolts** for each side. Insert each Foot **J** into Bottom Ladder Section **D**. Secure with **1-45mm bolt** for each side. (See Fig. 9)

Fig. 9

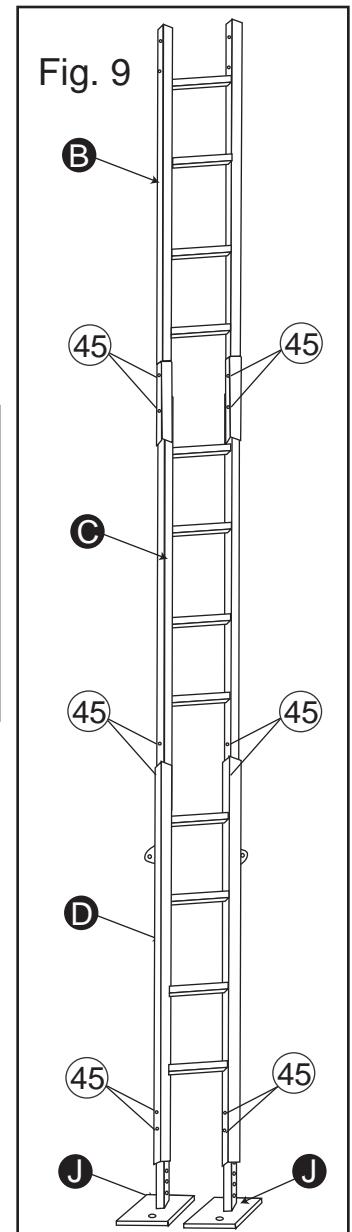
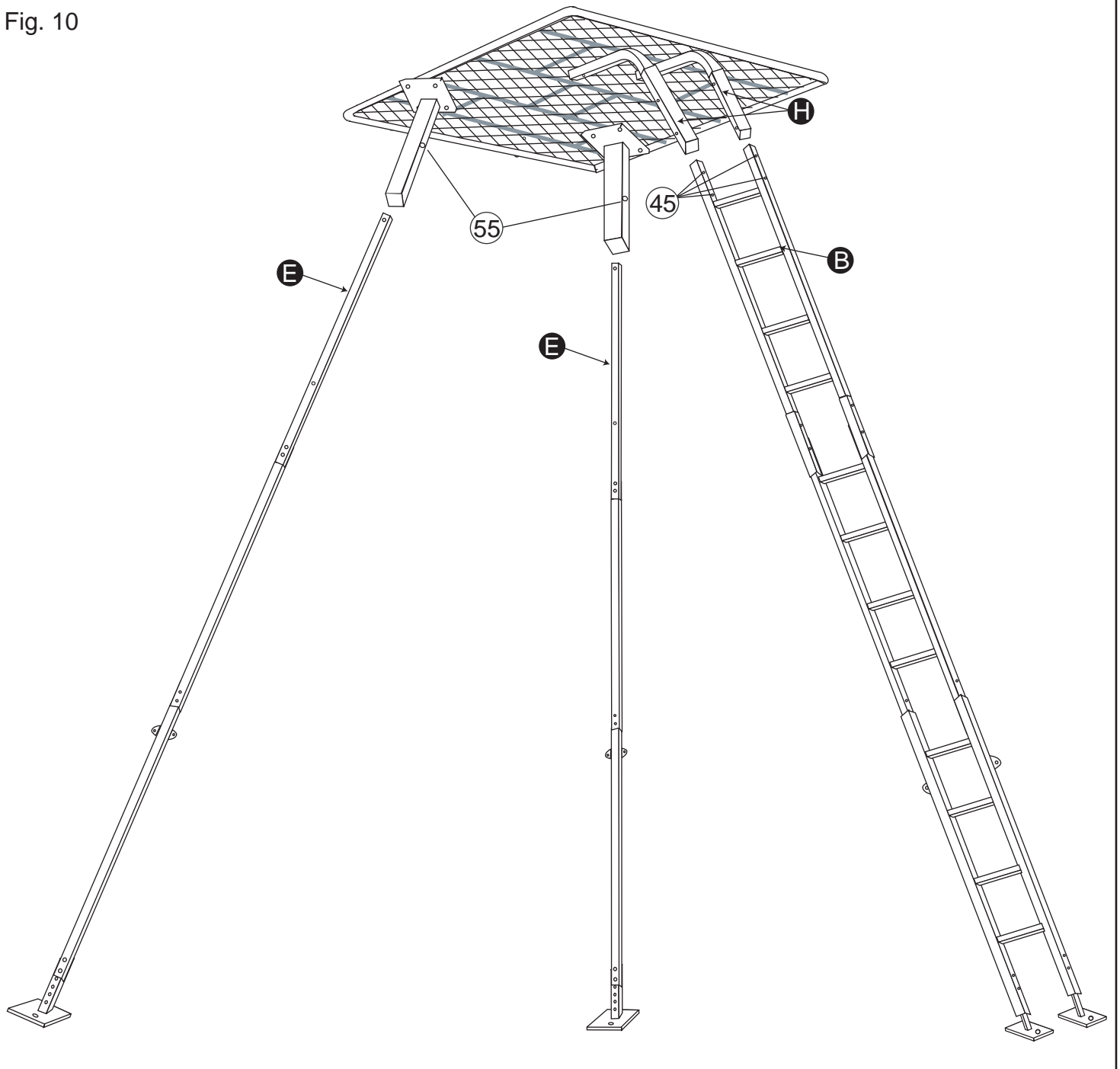


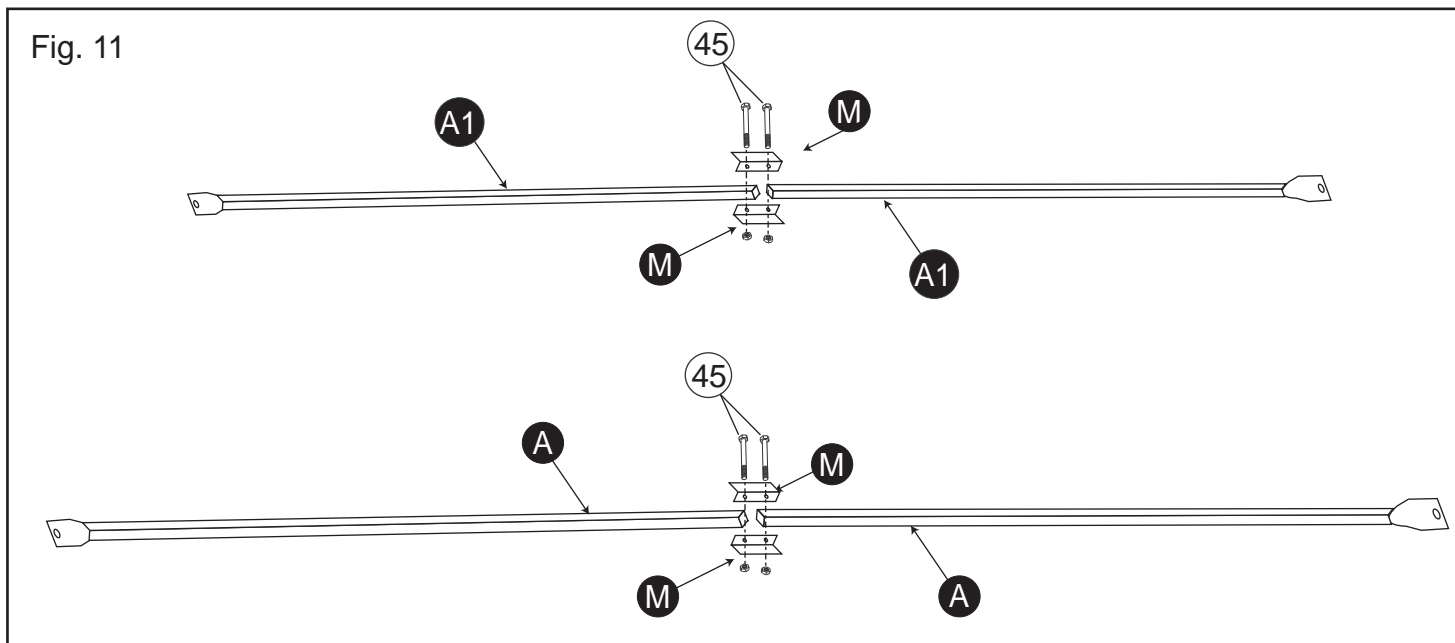
Fig. 10



15. Insert Leg **E** into Leg Brace **L**. Attach with **1-55mm bolt** for each leg. (See Fig. 10)

16. Insert Top Ladder Section **B** into Handle Rails **H**. Secure with **2-45mm bolts** for each side. (See Fig. 10)

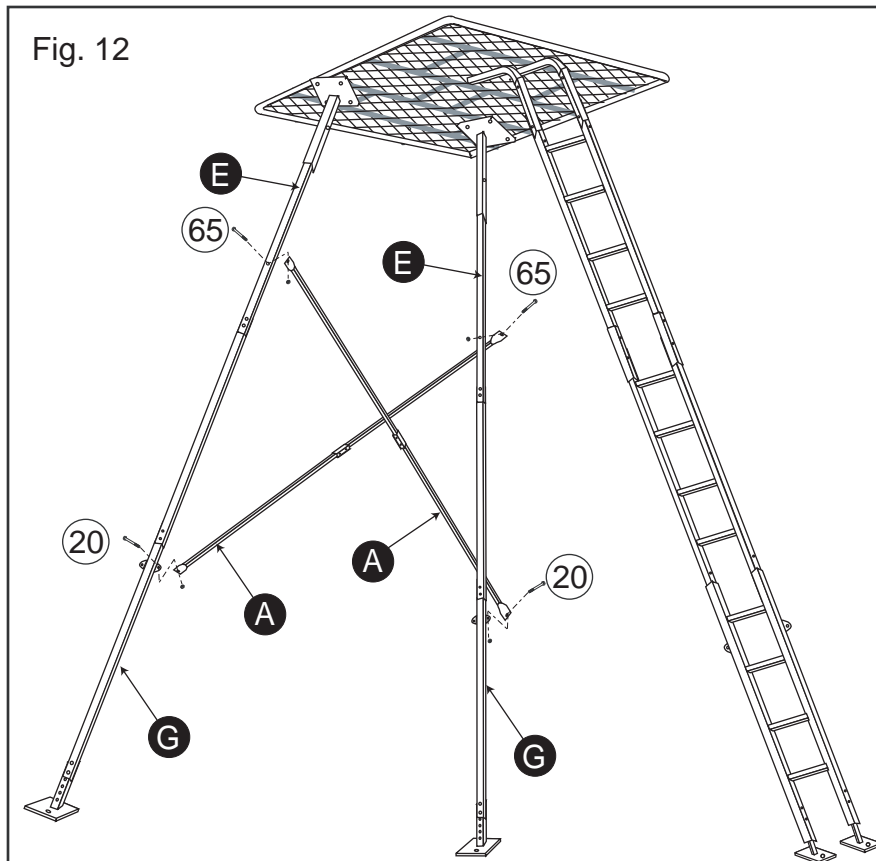
Fig. 11



17. Combine all Leg/Leg Cross Braces **A** using 2 Bracket **M** and **2-45mm bolts**. (See Fig. 11) This will make 2 **A** Cross Brace Assemblies.

18. Combine all Ladder/Leg Cross Braces **A1** using 2 Bracket **M** and **2-45mm bolts**. (See Fig. 11) This will make 4 **A1** Cross Brace Assemblies

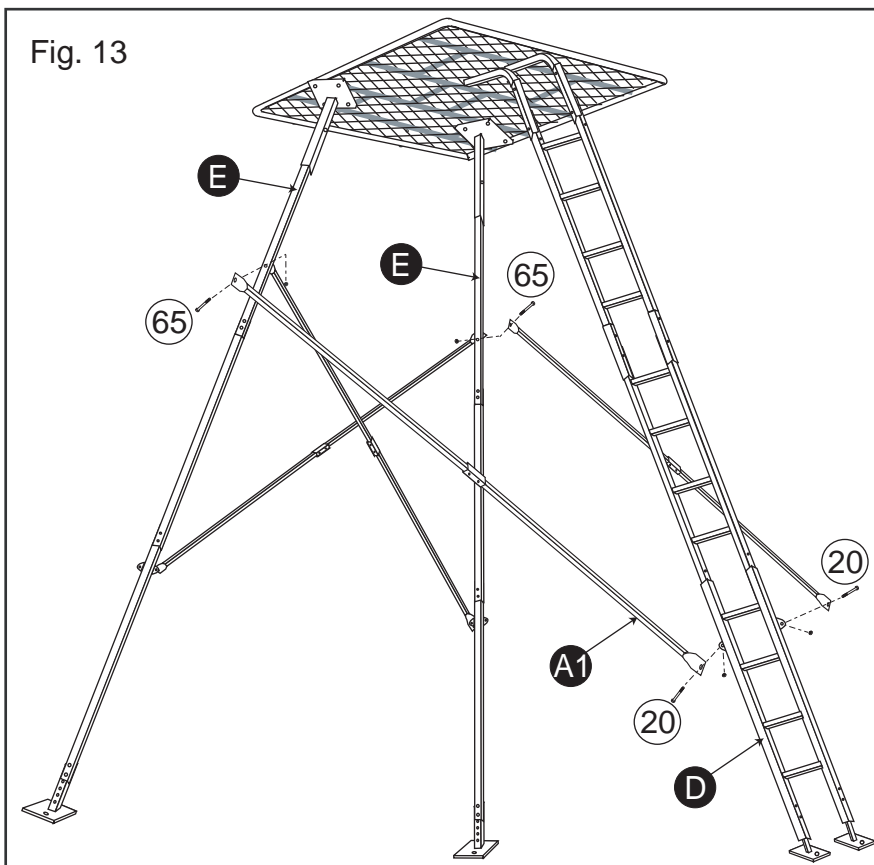
Fig. 12



19. Attach each completed Leg/Leg brace assembly **A** to the tabs on leg sections **G** using **1-20mm bolt** (See Fig. 12)

20. Attach the other end of Leg/Leg brace assembly **A** to Top Leg Section **E** using **1-65mm bolt**. **DO NOT tighten bolt yet.** (See Fig. 12)

Fig. 13



21. Attach two of the completed Ladder/Leg brace assemblies **A1** to the tabs on the Bottom Ladder Section **D** using **1-20mm bolt** at each attachment point. (See Fig. 13)

22. Attach the other end of Ladder/Leg brace assembly **A1** to Top Leg Section **E** using the previously installed **65mm bolt** on each leg. Tighten bolt. (See Fig. 13)

23. Attach last two completed Ladder/Leg brace assemblies **A1** to the Top Ladder Section **B** using **1-45mm bolt** at each attachment point. (See Fig. 14)

24. Attach the other end of Ladder/Leg brace assembly **A1** to the tabs on Bottom Leg Section **G** using **1-20mm bolt** at each attachment point. (See Fig. 14)

Fig. 14

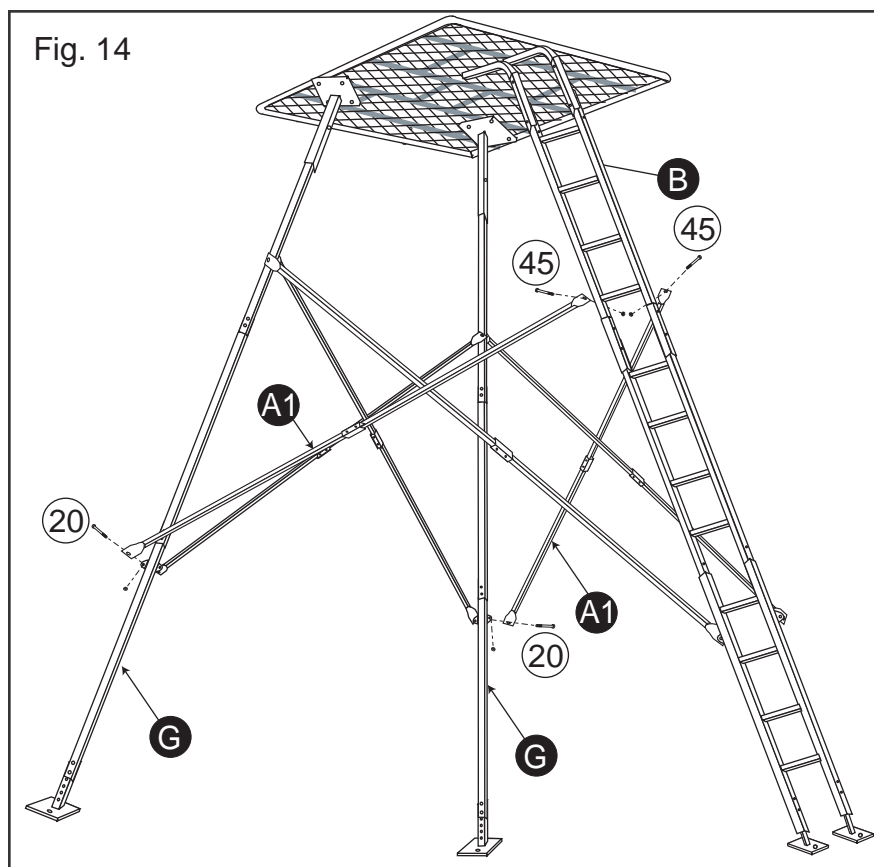
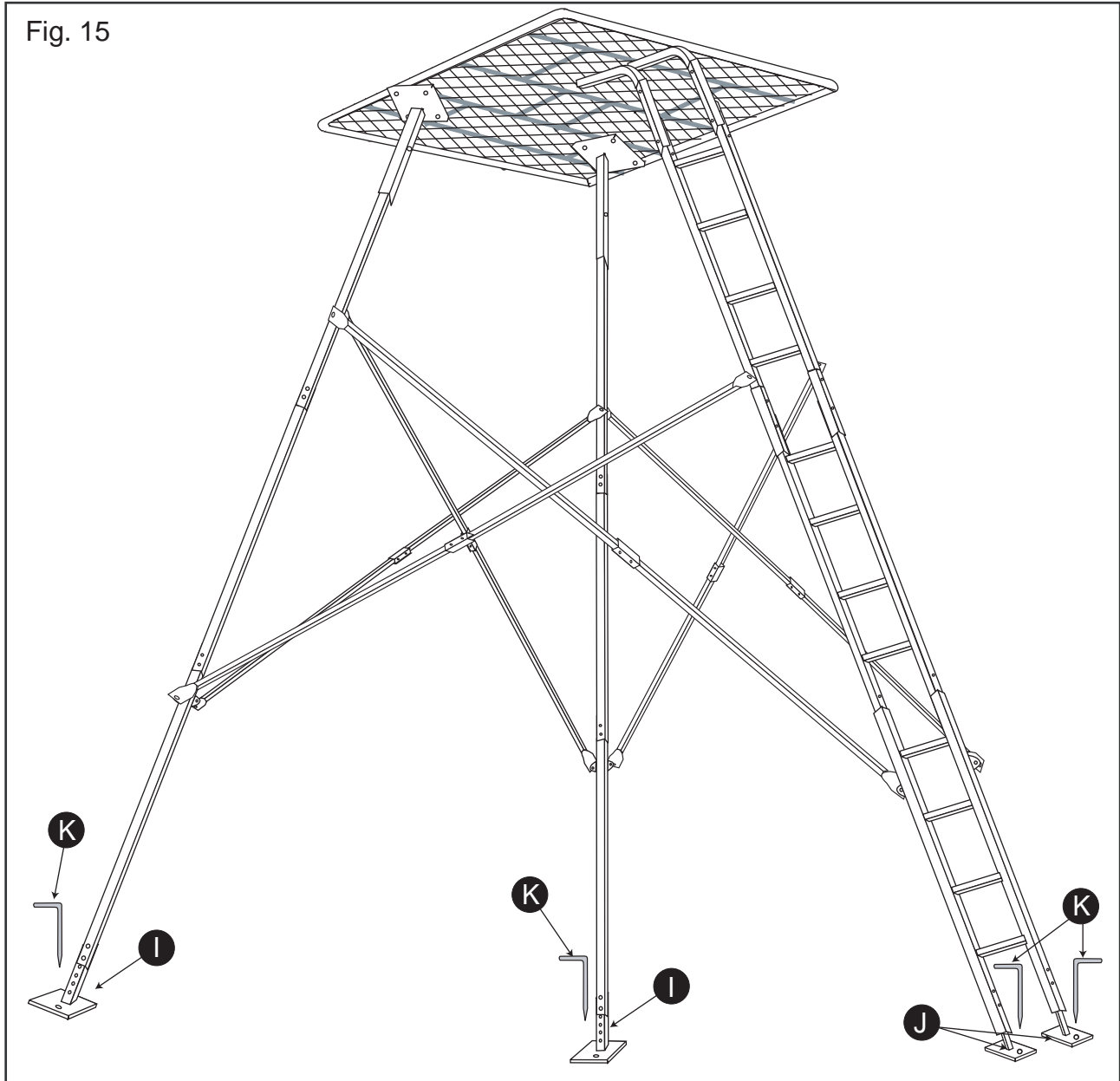


Fig. 15

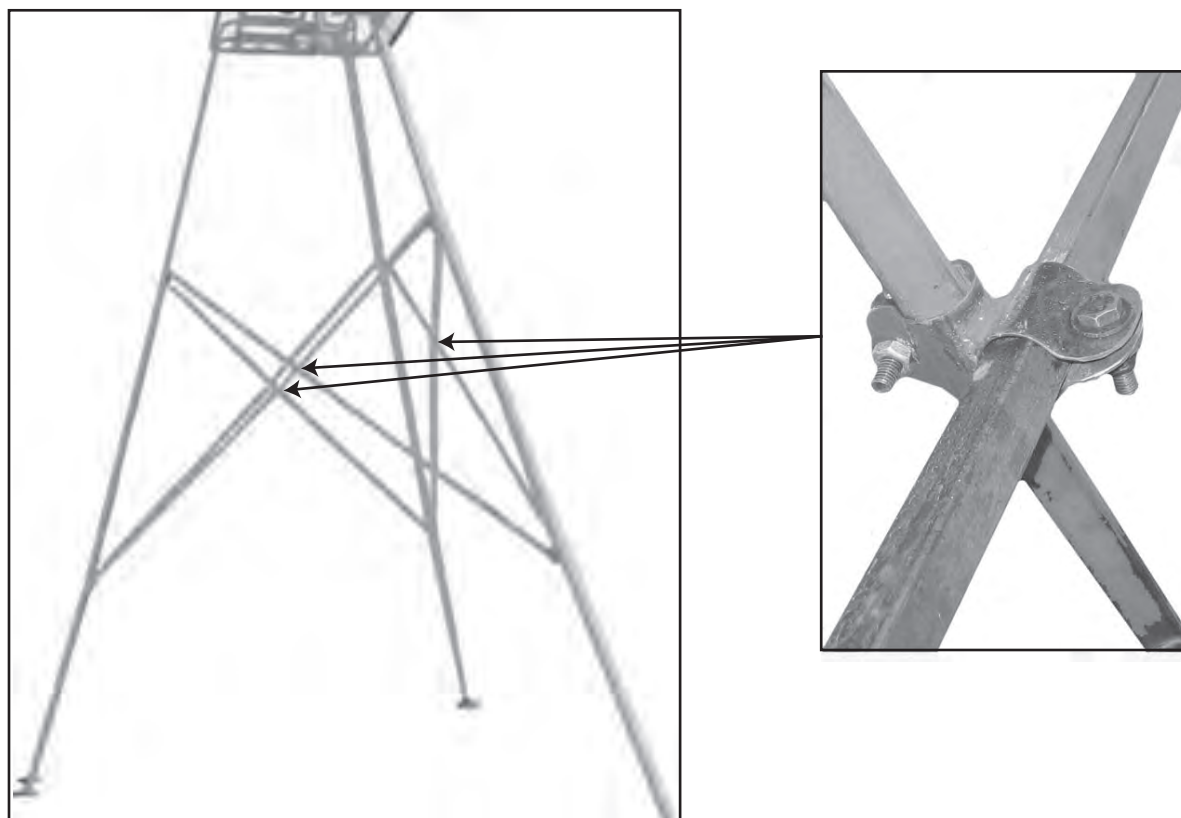


25. Stand whole assembly up. You will need no less than three people to lift the tripod.

26. Position stand to where you want to hunt from. Push the Anchor Pins **K** into the ground through each Rear Leg Foot **I** and through each Ladder Section Foot **J**.

⚠ WARNING ⚠ WARNING ⚠ WARNING ⚠ WARNING ⚠

In the tripod carton you will find 3 x-brackets, these x-brackets are important in the strength of your tripod. These x-brackets are to attach together the cross braces on each side of your tripod for the added stability and strength. **DO NOT** use the tripod without these cross braces properly installed.



After attaching 3 x-brackets to lock cross braces together, ground stakes **MUST** be installed on each foot bracket, with the foot flat to the ground **PRIOR** to climbing the tripod. Any adjustments to position of tripod **MUST** be made while at ground level.

Parts List

3	X-Bracket	Part# WXB-600
④5	6 M12x45mm Bolt	Part# 1245
6	Nut	Part# 1210