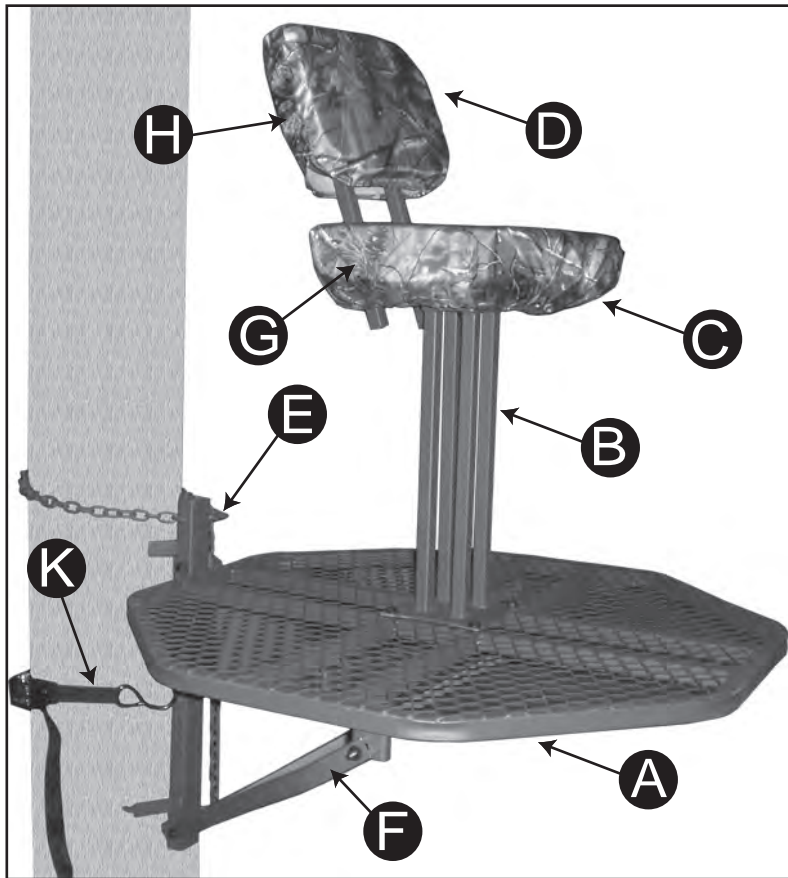


Model: SGHO-275

Octagonal Hang-On

- Always Wear A Safety Harness With This Product
- Practice Using At Ground Level
- Weight Limit **300 lbs.**



Parts List

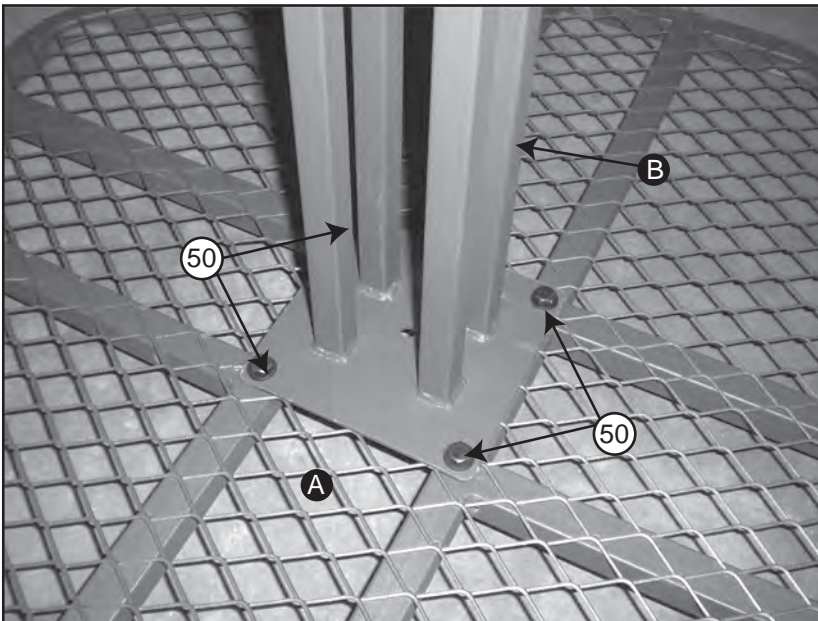
A	1 Platform	Part # GP-275
B	1 Pedestal	Part # GP-600
C	1 Swivel Seat	Part # GS-1300
D	1 Seat Back	Part # GS-1320
E	1 Tree Support Brace	Part # GTB-275
F	2 Rail Support	Part # GRS-275
G	1 Seat Cushion	Part # GC-1310
H	1 Backrest Cushion	Part # GC-1300
J	1 Large Washer	Part # LW-600
K	1 Ratchet Strap Assy	Part # DRA-100
75B	1 M8x75mm Bolt w/bushings	Part # 1875b
75	1 M8x75mm Bolt	Part # 1875
60	2 M8x60mm Bolt	Part # 1860
50	6 M8x50mm Bolt	Part # 1850
30	1 M8x30mm Bolt	Part # 1830

⚠ Warning ⚠ Warning ⚠ Warning ⚠

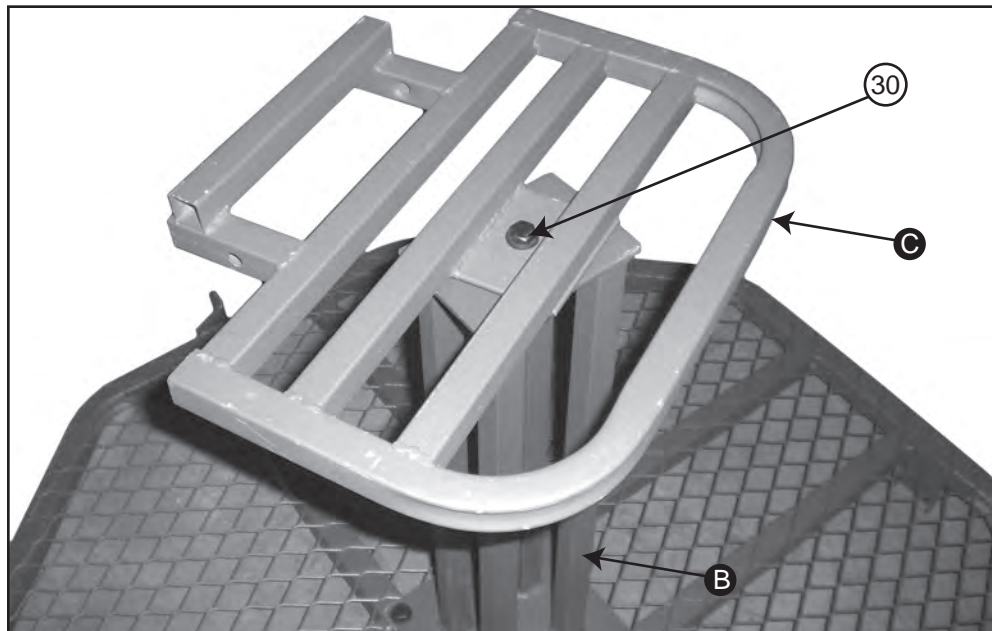
1. **ALWAYS** read all warnings and instructions before each use of hang-on. Failure to read all warnings and instructions before each use of hang-on may result in serious injury or death.
2. Remove all contents from box. Inspect for any damaged or missing pieces. **DO NOT** assemble or use hang-on if any parts are missing or damaged. Using the hang-on with missing or damaged parts may result in serious injury or death. Missing or damaged parts may be obtained from the address and phone number listed below.
3. **DO NOT** use hang-on if any bolts or nuts are loose, bent or crooked.
4. Be sure to retighten all bolts before each new use of hang-on.
5. Weight limit of this hang-on is **300 lbs.** **DO NOT** use hang-on if your combined weight with any equipment exceeds **300 lbs.** **DO NOT exceed the weight limit of safety harness, refer to harness manufacturers warnings for weight limit of safety harness.**
6. **ALWAYS** use a full body safety harness when using this hang-on. Failure to use a safety harness may result in serious injury or death.
7. **NEVER** use hang-on if you have dizzy spells, a heart condition, are afraid of heights, have been advised by a doctor or other health care provider not to climb, or have any condition that would impair your ability to climb up or down or use hang-on as it could result in serious injury or death. Please consult a physician prior to use.
8. **DO NOT** use hang-on under the influence of alcohol, medication, or any illegal substances. Using the hang-on while under influence of any of these substances may result in serious injury or death.
9. **NEVER** use hang-on during inclement weather. **DO NOT** use hang-on during thunderstorms or any other weather conditions that include (but not limited to) lightning, freezing rain that could create slippery or dangerous conditions.
10. **DO NOT** use the hang-on unless the ground is dry or level. Failure to use hang-on when the ground is dry or level may result in serious injury or death.
11. **NEVER** use hang-on on a tree that is dead, diseased, leaning, or on wet and uneven ground as the tree may fall, break, or uproot and may result in serious injury or death.
12. **DO NOT** leave your hang-on outside all year round. It must be stored inside when not in use.
13. **NEVER** climb on hang-on with your weapon. Make sure that the unloaded firearm gun barrel is pointed toward the ground when raising or lowering it to your stand. Always use a safe hoist/lift system on the opposite side of the tree from which you are climbing.
14. **ALWAYS** unload your weapon and use a safety lock while raising or lowering your weapon. Failure to unload your weapon may result in serious injury or death.
15. Use hang-on on trees with a minimum diameter of 9" and maximum of 18".
16. **ALWAYS** have a communication device on your person and easily accessible. Immediate access to another person may save your life. In the event of an accident, a rescue plan must be place and able to be incorporated immediately.
17. **DO NOT** fall asleep in your stand as you may potentially fall out resulting in serious injury or death.



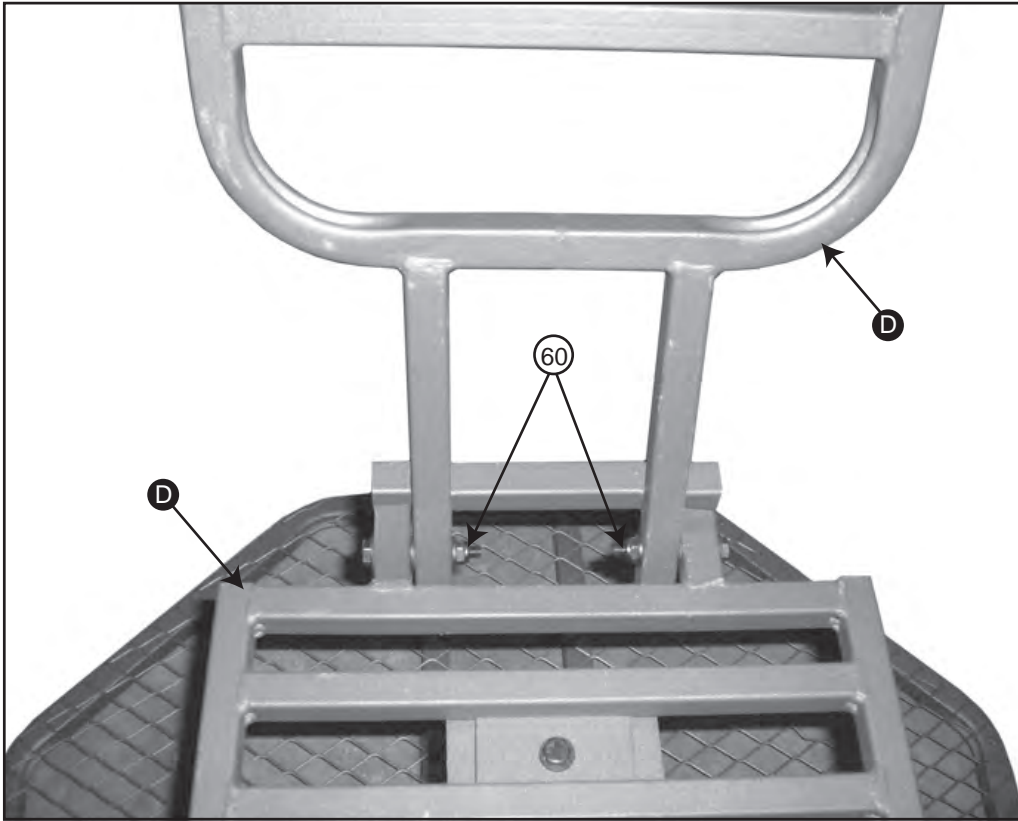
Thank you for purchasing the Guide Gear® Hang-On by Primal Vantage Company Inc. The hang-on does require some minor assembly. You will find detailed instructions with your hang-on. The following instructions will tell you how to assemble and use your hang-on. Every year hunters are seriously injured in tree stand accidents. Please carefully read and follow these instructions. For customer service visit www.treestandcustomerservice.com or call 1-800-722-7345 and ask for Primal Vantage.



1. Attach Pedestal **B** to Platform **A** using **4-M8x50mm bolts**.

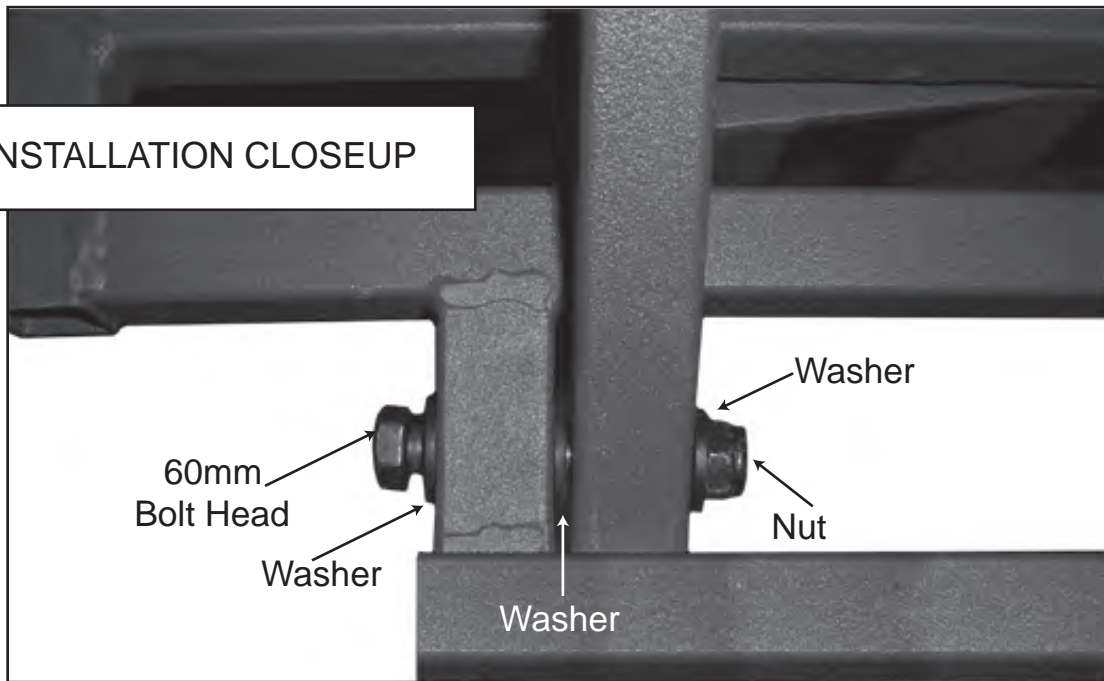


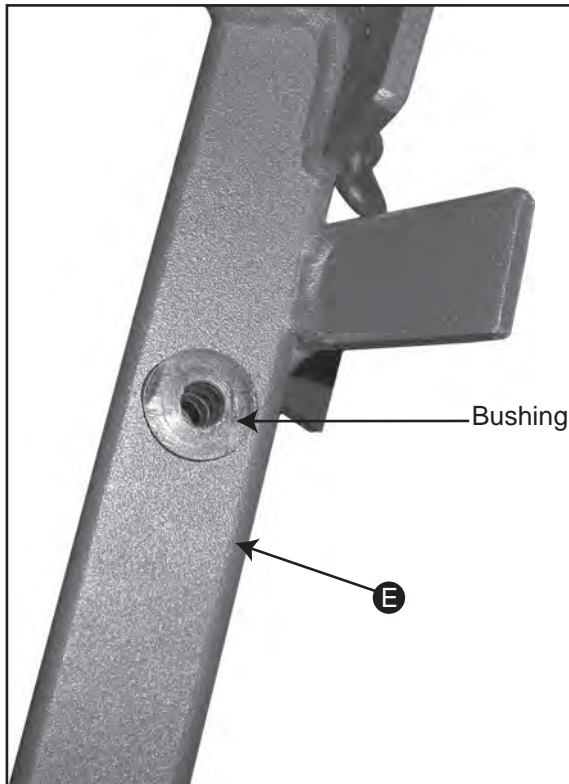
2. Place Large Washer **J** on the Pedestal over the hole in the center. Place the Swivel Seat **C** on top of the Large Washer and insert **1-30mm bolt** to secure.



3. Attach Backrest **D** to Swivel Seat **C** using **1-M8x60mm bolt** on each side.

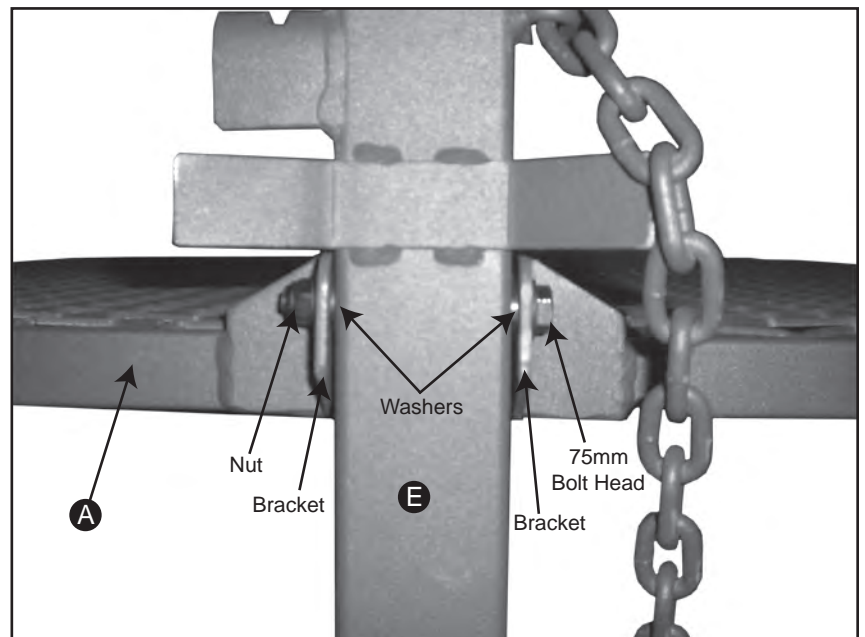
INSTALLATION CLOSEUP



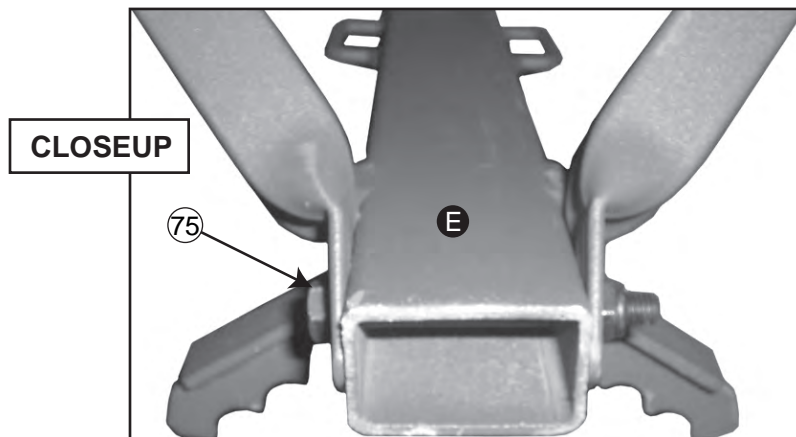
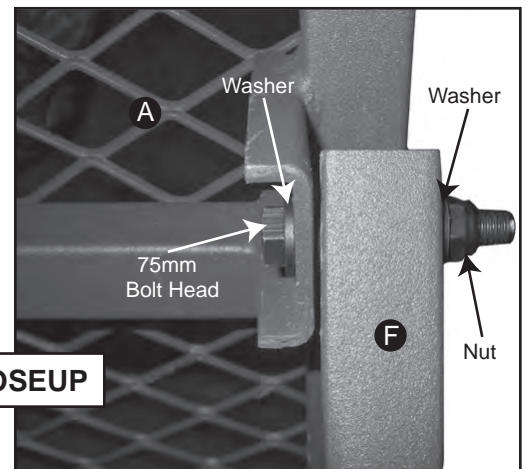
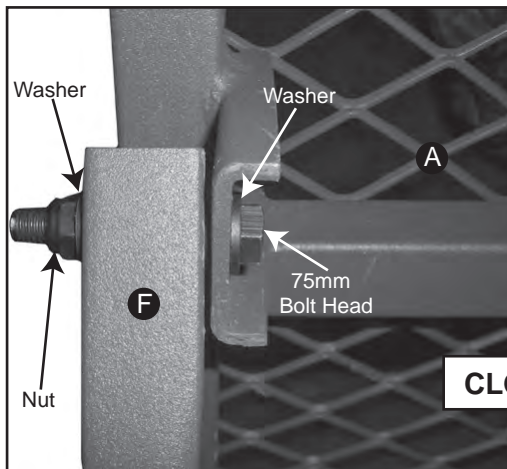
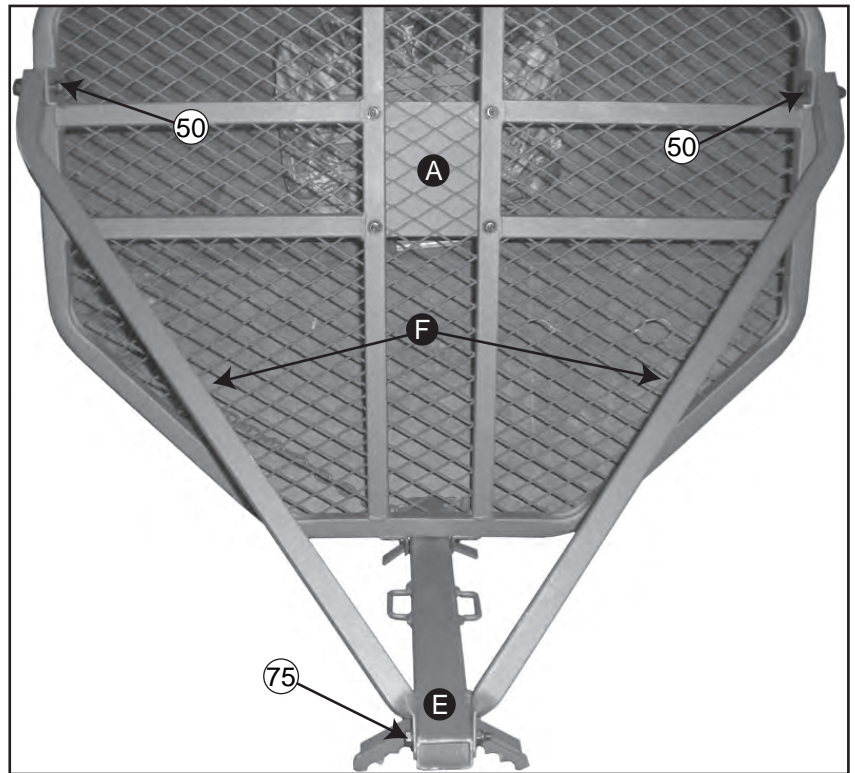


4. Insert Bushings from **M8x75mm bolt** into the holes on the Tree Support Brace near the chain.

5. Insert the M8x75mm bolt with bushings **(the bushings are already in place)**, through the bracket on the platform then through the Tree Support Brace.



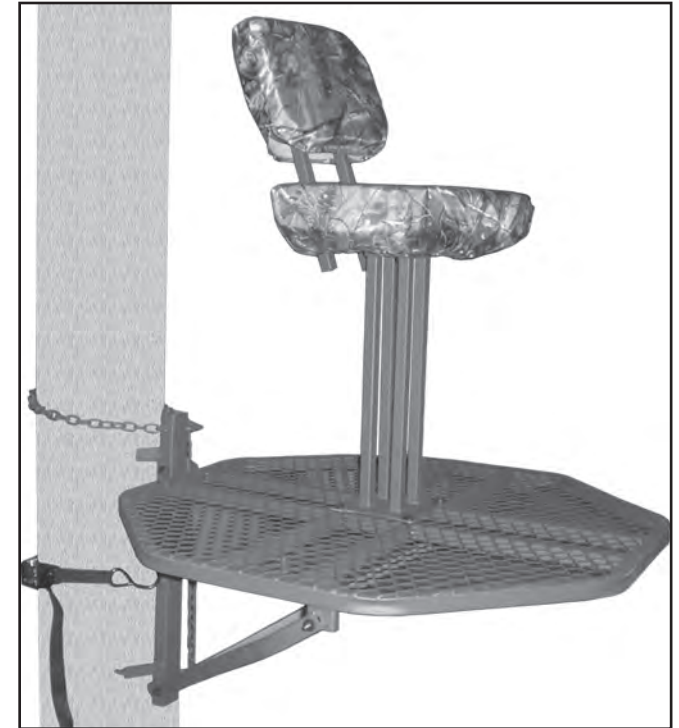
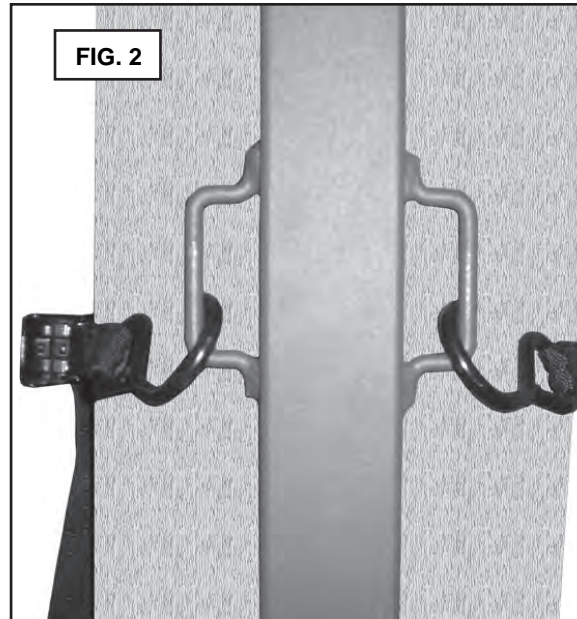
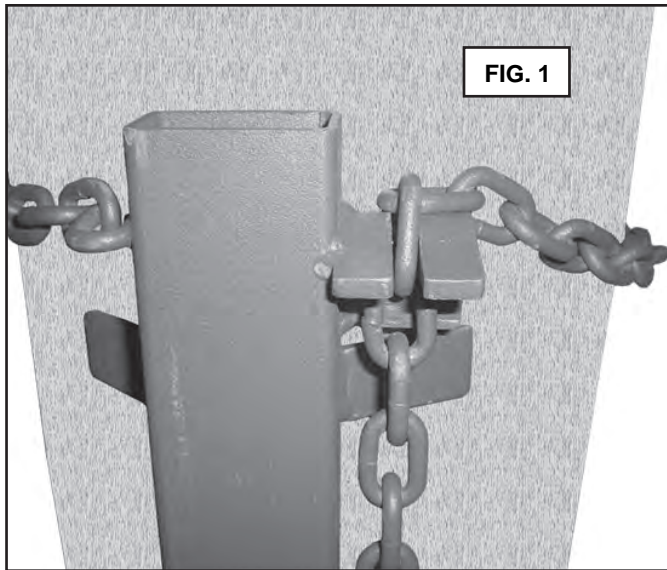
6. Attach the tube side of each Rail Support **F** to each side of the platform using **1-50mm bolt** on each side. Attach the flattened end of each Rail Support to the Tree Support Brace **E** using **1-75mm bolt**. (See Close ups)



Attachment Instructions

1. To attach the stand, lift the stand with a hoist/lift system to the desired height on the tree.
 2. Wrap the chain around the back of the tree and insert the chain into the bracket. **(See Fig. 1)**
 3. Hook one end of the Ratchet Strap Assembly to the bracket on the Tree Support Brace. Wrap the Ratchet Strap around the back of the tree and hook the other side to the other bracket on the Tree Support Brace. Ratchet the strap as tightly as possible around the tree to remove any remaining slack. **(See Fig. 2 for installation) (See Ratchet Strap Instructions)**
 4. Check your stand to make sure it is secure to the tree. Apply pressure to the platform with one foot while keeping the other foot on the climbing apparatus. Always step down from your climbing aid to the platform. Failure to do so may cause the hang-on to shift. Be sure to wear your safety harness at all times.
 5. With your harness attached to tree, step onto the hang-on. Once comfortably standing, follow manufacturer's instructions for attaching harness tree strap.
- WARNING: Failure to follow this procedure when seating your stand could result in serious injury or death.**
6. To remove the stand, reverse the procedure.

You MUST wear a Safety Harness at all times.



WARNING: YOU MUST WEAR A SAFETY HARNESS AT ALL TIMES WHILE THE STAND IS IN USE, INCLUDING CLIMBING AND DESCENDING. FAILURE TO DO SO COULD RESULT IN SERIOUS INJURY OR DEATH.

Thank you for purchasing the Guide Gear® Hang-On by Primal Vantage Company Inc. The hang-on does require some minor assembly. You will find detailed instructions with your hang-on. The following instructions will tell you how to assemble and use your hang-on. Every year hunters are seriously injured in tree stand accidents. Please carefully read and follow these instructions. For customer service visit www.treestandcustomerservice.com or call 1-800-722-7345 and ask for Primal Vantage.

DETAILED BUCKLE AND STRAP INSTRUCTIONS



Fig. 1

1. Hold buckle as shown in Fig. 1

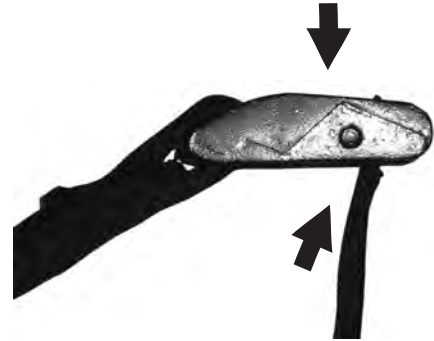


Fig. 2

2. Press down on latch and insert strap underneath teeth as shown in Fig. 2.

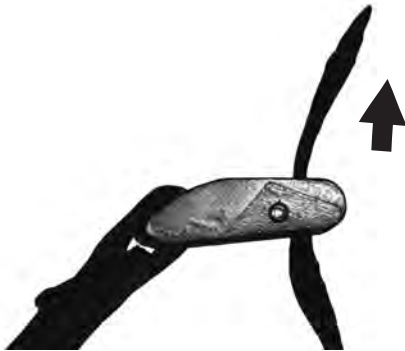


Fig. 3

3. Pull strap to desired length.

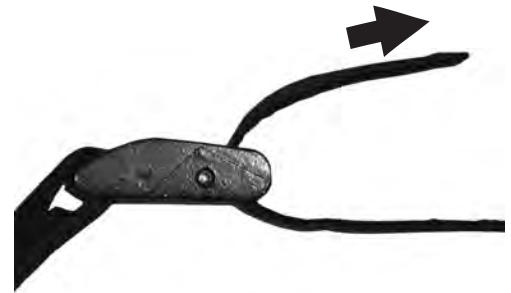


Fig. 4

4. Pull slack to tighten.
(See Fig. 4)

ALWAYS tug on strap to make sure it is secured by the buckle before use