

Model: HEH00086

Ladder Kit with Theft Deterrent

- Always Wear A Safety Harness With This Product
- Practice Using At Ground Level
- Weight Limit **300 lbs.**

Parts List

A	1 Ladder Section	Part # DL-8600
B	1 Removable Rung	Part # DRR-860
C	1 Stabilizer Bar	Part # DSB-100
D	2 Ladder Leveler	Part # DLL-860
E	4 Installation Knob	Part # IK-100
F	1 Adjustment Knob	Part # AK-100
G	2 Sleeve	Part # DS-100
H	1 Buckle Strap Assy	Part # DBA-200
J	4 M6 Quickclip	Part # 1615
45	1 M8x45mm Bolt w/wingnut	Part # 1845W

⚠ Warning ⚠ Warning ⚠ Warning ⚠ Warning ⚠

The enclosed ladder section is only to be used to extend the ladder section for Ladder Stand Model #'s HEH00065, HEH00066, HEH00067, HEH00068, HEH00084, HEH00087, and HEH00088.

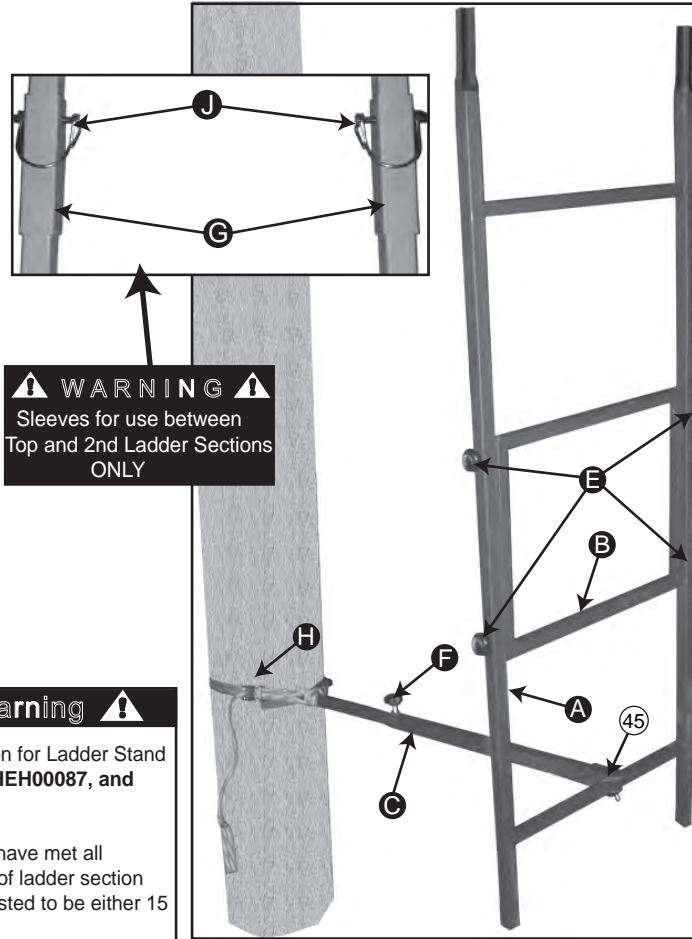
The above Model #'s have been tested according to TMA Standards and have met all physical requirements of TMA testing standards in respect to the number of ladder section quantities specified in the instructions. The above Model #'s have been tested to be either 15 or 20ft.

Using additional ladder sections over the designated height other than the heights specified in the user instructions **CAN CAUSE SERIOUS INJURY OR DEATH**

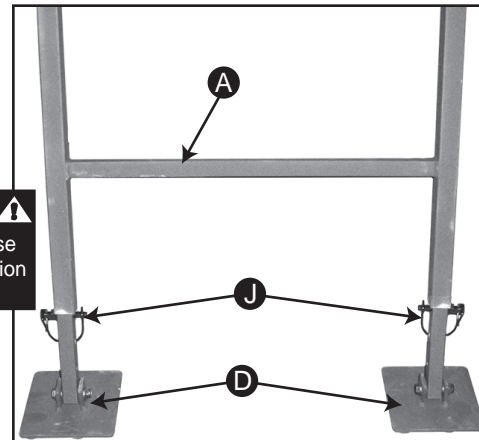
Follow all instructions and warnings before each use detailed in your original assembly instructions.



Distributed by Primal Vantage Company Inc. 685 Route 10 East, Randolph, NJ 07869



⚠ WARNING ⚠
Ladder Levelers for use
on Bottom Ladder Section
ONLY



⚠ WARNING ⚠ WARNING ⚠

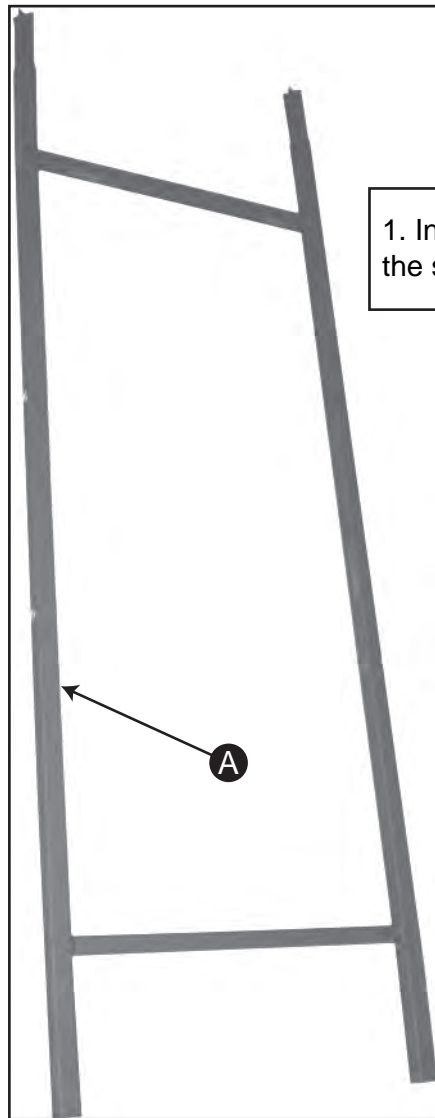
1. **ALWAYS** read all warnings and instructions before each use of ladderstand. Failure to read all warnings and instructions before each use of ladderstand may result in serious injury or death.
2. Remove all contents from box. Inspect for any damaged or missing pieces. **DO NOT** assemble or use ladderstand if any parts are missing or damaged. Using the ladderstand with missing or damaged parts may result in serious injury or death. Missing or damaged parts may be obtained from the address and phone number listed below.
3. **DO NOT** use ladderstand if any bolts or nuts are loose, bent or crooked.
4. Be sure to reighten all bolts before each new use of ladderstand.
5. Weight limit of this ladderstand is **300 lbs.** **DO NOT** use ladder stand if your combined weight with any equipment exceeds **300 lbs.** **DO NOT exceed the weight limit of safety harness, refer to harness manufacturers warnings for weight limit of safety harness.**
6. **ALWAYS** use a full body safety harness when using this ladderstand. Failure to use a safety harness may result in serious injury or death.
7. **NEVER** use ladderstand if you have dizzy spells, a heart condition, are afraid of heights, have been advised by a doctor or other health care provider not to climb, or have any condition that would impair your ability to climb up or down or use ladderstand as it could result in serious injury or death. Please consult a physician prior to use.
8. **DO NOT** use ladderstand under the influence of alcohol, medication, or any illegal substances. Using the ladderstand while under influence of any of these substances may result in serious injury or death.
9. **NEVER** use ladderstand during inclement weather. **DO NOT** use ladderstand during thunderstorms or any other weather conditions that include (but not limited to) lightning, freezing rain that could create slippery or dangerous conditions.
10. **DO NOT** use the ladderstand unless the ground is dry or level. Failure to use ladderstand when the ground is dry or level may result in serious injury or death.
11. **NEVER** use ladderstand on a tree that is dead, diseased, leaning, or on wet and uneven ground as the tree may fall, break, or uproot and may result in serious injury or death.
12. **DO NOT** leave your ladderstand outside all year round. It must be stored inside when not in use.
13. **NEVER** climb ladderstand with your weapon. Make sure that the unloaded firearm gun barrel is pointed toward the ground when raising or lowering it to your stand. Always use a safe hoist/lift system on the opposite side of the tree from which you are climbing.
14. **ALWAYS** unload your weapon and use safety lock while raising or lowering your weapon. Failure to unload your weapon may result in serious injury or death.
15. Use ladderstand on trees with a minimum diameter of 9" and maximum of 18".
16. **ALWAYS** have a communication device on your person and easily accessible. Immediate access to another person may save your life. In the event of an accident, a rescue plan must be place and able to be incorporated immediately.
17. **DO NOT** fall asleep in your stand as you may potentially fall out resulting in serious injury or death.
18. Enclosed Sleeves are for use between the Top and second ladder sections **ONLY**.
19. Enclosed Ladder Levelers are for use on the bottom ladder section **ONLY**.
20. **DO NOT** use ladder when removable rung is not installed. Use of ladder when rung is not installed may result in serious injury or death.

© 2007

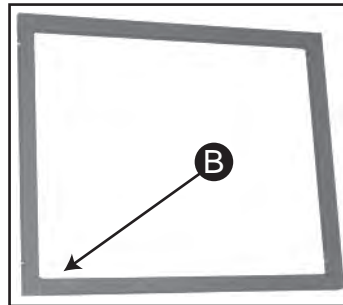
Thank you for purchasing the Comfort Zone Theft Kit by Primal Vantage Company Inc. This kit does require some minor assembly. You will find detailed instructions with the kit. The following instructions will tell you how to assemble and use your kit. Every year hunters are seriously injured in treestand accidents. Please carefully read and follow these instructions. For customer service visit www.treestandcustomerservice.com or call 1-800-722-7345 and ask for Primal Vantage.

HEH00086 Theft Deterrent Ladder Kit Assembly Instructions Page 1

You **MUST** lower the stand to the ground before assembling the Ladder Section to your stand. You **MUST** have the help of at least two other people

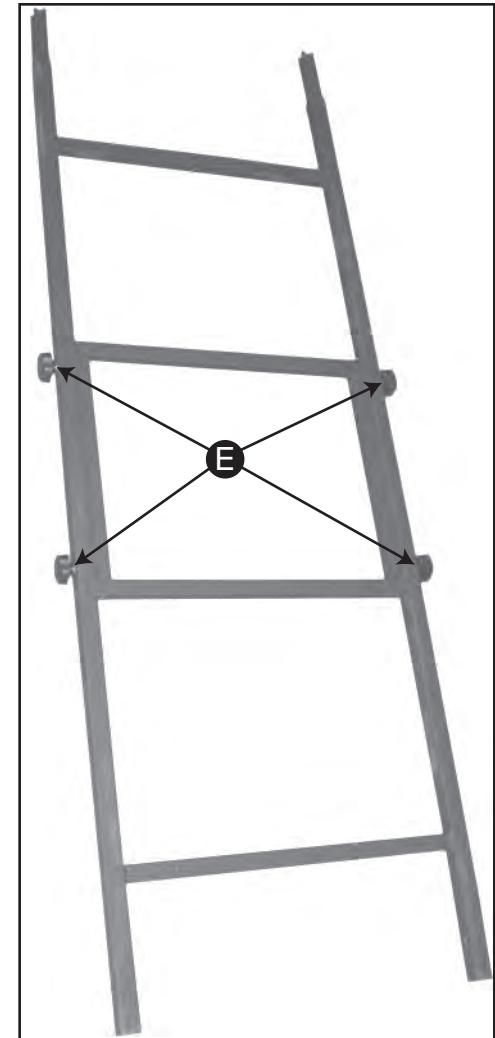


1. Insert Removable Rung **B** into the space on Ladder Section **A**.



⚠ WARNING ⚠

DO NOT use Ladder Section without the Removable Rung installed. Using the Ladder Section without the Removable Rung installed may result in serious injury or death.

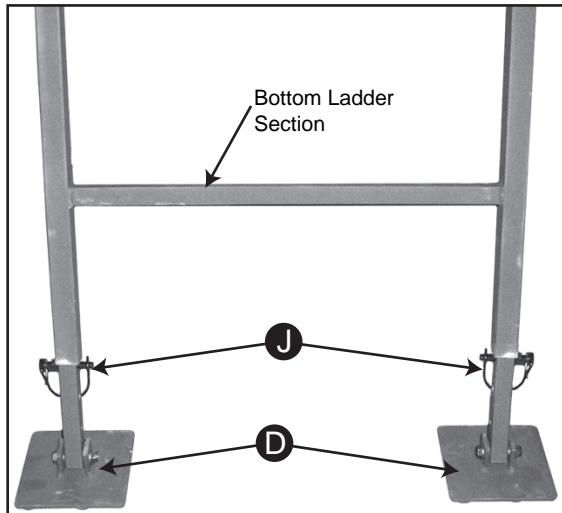


2. Thread each Installation Knob **E** through the ladder section and into the threaded holes of the Removable Rung **B**.

You MUST lower the stand to the ground before assembling the Ladder Section to your stand. You **MUST** have the help of at least two other people

3. With the help of at least two other people, lower your stand to the ground. Disassemble the ladder sections from each other.

⚠ WARNING ⚠
Ladder Levelers for use
on Bottom Ladder Section
ONLY



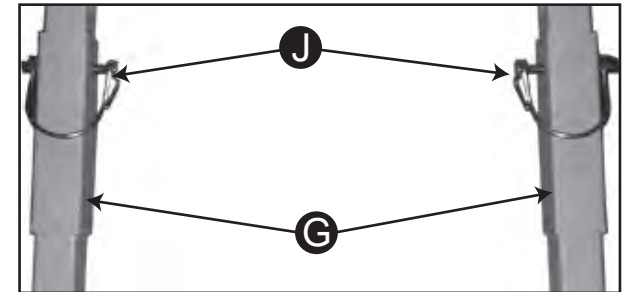
4. Insert each Ladder Leveler **D** into the Bottom Ladder Section of your Ladderstand. Insert **1-M6 Quickclip J** through the predrilled holes in the ladder and secure.



5. Slide each Sleeve **G** over the original Middle Ladder Section of your stand. Insert the the Middle Ladder Section into your original Top Ladder Section.

6. Slide Sleeve **G** up so the bolt holes line up. Insert **1-M6 Quickclip J** through the sleeve and through the ladder sections.

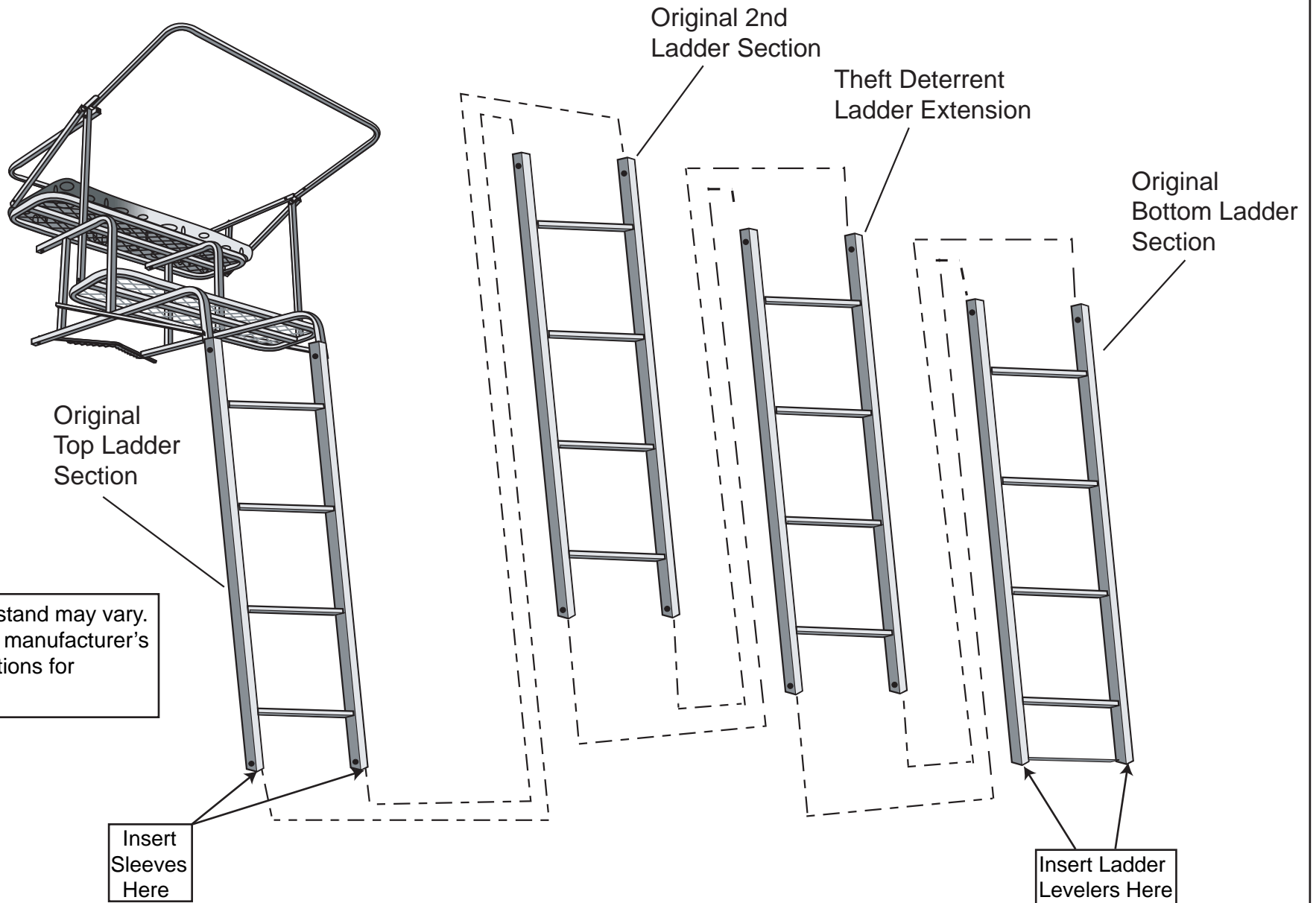
⚠ WARNING ⚠
Sleeves for use between
Top and 2nd Ladder Sections
ONLY



⚠ WARNING ⚠
DO NOT use Ladder Section without the Removable Rung installed. Using the Ladder Section without Removable Rung installed may result in serious injury or death.

HEH00086 Theft Deterrent Ladder Kit Assembly Instructions Page 3

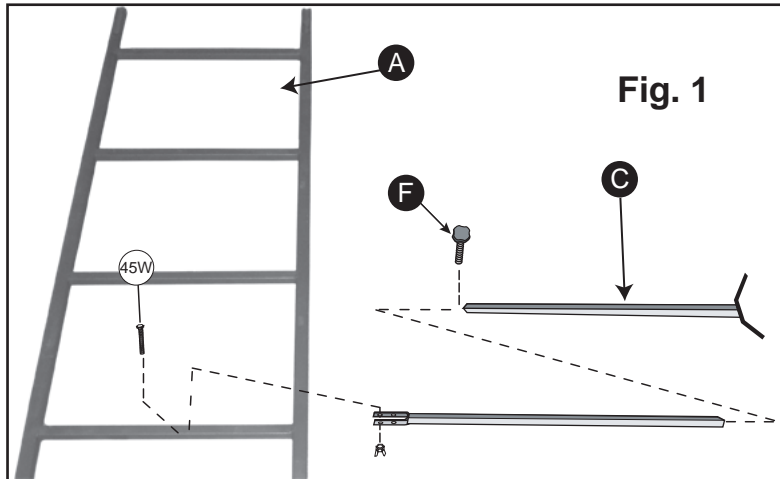
7. Slide Original Bottom Ladder Section into the Theft Deterrent Ladder Extension. Slide the Extension into the Original 2nd Ladder Section. Follow step 5 and 6 on the previous page to install the 2nd Ladder Section into the Top Ladder Section.



Style of ladderstand may vary. Please refer to manufacturer's original instructions for assembly.

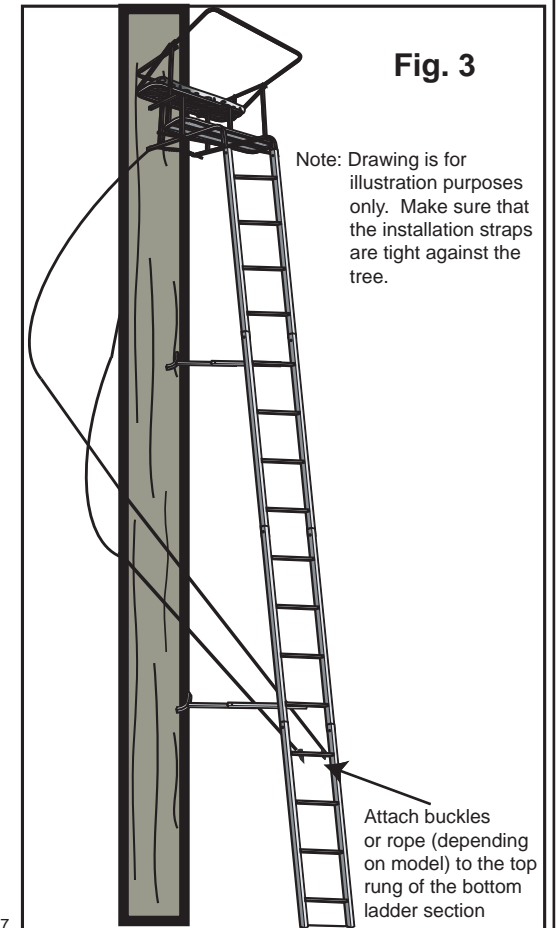
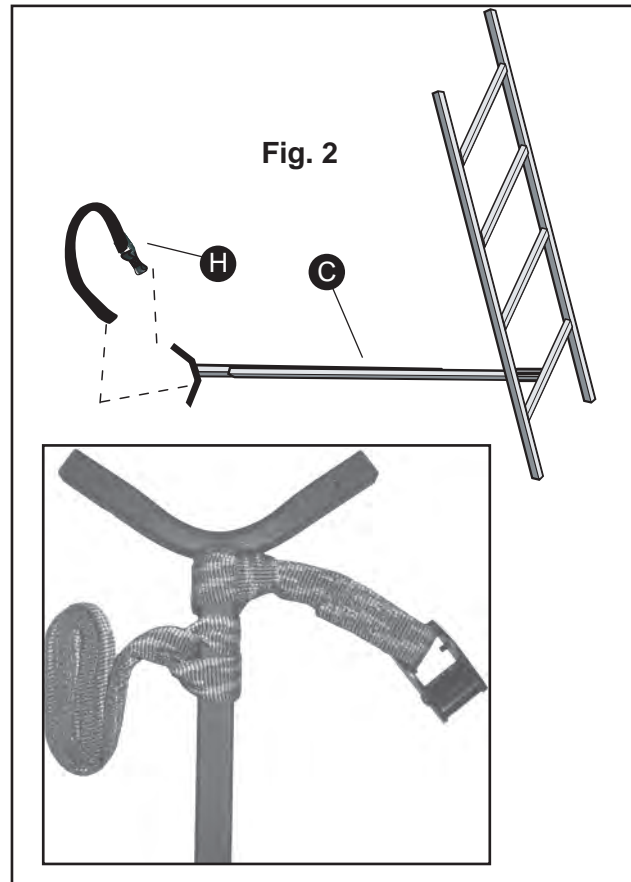
HEH00086 INSTALLATION INSTRUCTIONS

1. With the help of at least two other people, lean the assembled Ladderstand against the tree. Diameter of tree must be a minimum of 9 inches. Make sure to align the platforms parallel to the ground. Apply your full weight to the first step so the ladder levelers settle on the ground.
2. Slide inner part of Stabilizer Bar **C** through outer part of Stabilizer Bar. Attach the Stabilizer Bar to the bottom rung of the Theft Deterrent Ladder Section using **1 - 45mm Bolt with wingnut.** (See Fig. 1)
3. Insert the Adjustment Knob **F** in the Stabilizer Bar at the proper adjustment point to the tree.
4. Attach Stabilizer Buckle Strap **H** around the winged flange of the Stabilizer Bar. Position the Stabilizer Bar to the tree and secure it by wrapping the strap around the tree and securing it by following the Buckle Strap Instructions. (See Fig. 2)
5. Attach original stabilizer bar to the top rung of the second ladder section using the hardware from the original assembly.
6. Insert the Adjustment Knob in the Stabilizer Bar at the proper adjustment point to the tree.
7. Attach Stabilizer Buckle Strap around the winged flange of the Stabilizer Bar. Position the Stabilizer Bar to the tree and secure it by wrapping the strap around the tree and securing it by following the Buckle Strap Instructions. (See Fig. 2)
8. The two installation straps are now hanging down from the platform. Cross the installation straps around the back of the tree once. (See Fig. 3) Insert the loose ends through the attached buckles on the bottom ladder section. See Buckle Instructions. (See Fig. 4)
9. (Refer to manufacturer's instructions for your safety harness) You **MUST** use a safety harness around yourself and the tree for safety. Attach your Safety Harness to the tree.
10. Climb to the top of the ladderstand, attach treestrap of safety harness to tree. Wrap the strap of the Ratchet Strap Assembly around the back of the tree and thread the strap through the Ratchet. (See Ratchet Strap Instructions) Make sure the ratchet is securely fastened. (See Fig. 5) **DO NOT** sit on the Seat Platform until the ratchet is secured.



Style of ladderstand may vary.
Please refer to manufacturer's
original instructions for assembly.

Thank you for purchasing the Ladder Stand by Primal Vantage Company Inc. The Ladder Stand requires some assembly. You will find detailed instructions with your Ladder Stand. The following instructions will tell you how to assemble and use your Ladder Stand. Every year hunters are seriously injured in treestand accidents. Please carefully read and follow these instructions. For missing or damaged parts call 1-800-722-7345 and ask for Primal Vantage or visit www.treestandcustomerservice.com.



DETAILED BUCKLE AND STRAP INSTRUCTIONS



Fig. 1

1. Hold buckle as shown in Fig. 1

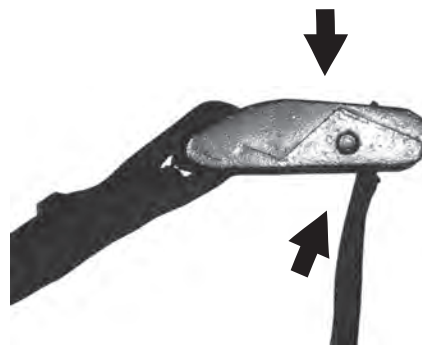


Fig. 2

2. Press down on latch and insert strap underneath teeth as shown in Fig. 2.



Fig. 3

3. Pull strap to desired length.



Fig. 4

4. Pull slack to tighten.
(See Fig. 4)