

Model: HEH00069

## Comfort Kit

- Always Wear A Safety Harness With This Product
- Set Up At Ground Level
- For Use With Model #HEH00065



## Parts List

<b>A</b>	1 Shooting Rail (Male)	Part # DSR-660
<b>B</b>	1 Shooting Rail (Female)	Part # DSR-665
<b>C</b>	2 Armrest	Part # DAR-690
<b>D</b>	2 Shooting Rail Knob	Part # SRK-100
<b>E</b>	2 Short Knob	Part # SK-100
<b>F</b>	2 Armrest Cover	Part # DPAC-660
<b>G</b>	1 Shooting Rail Cover	Part # DPSC-660

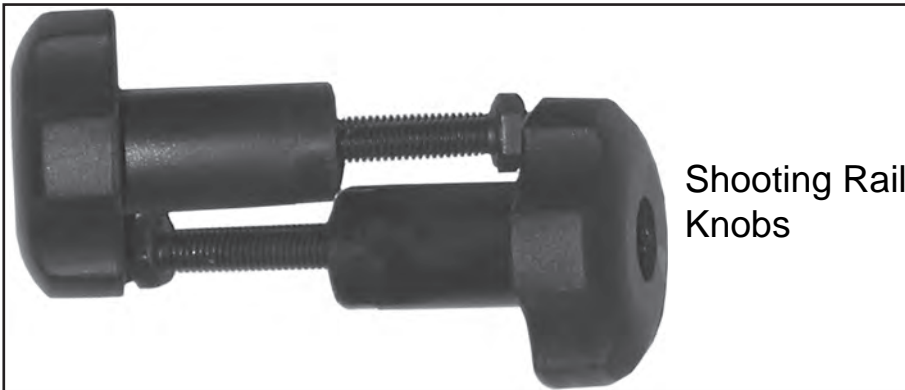
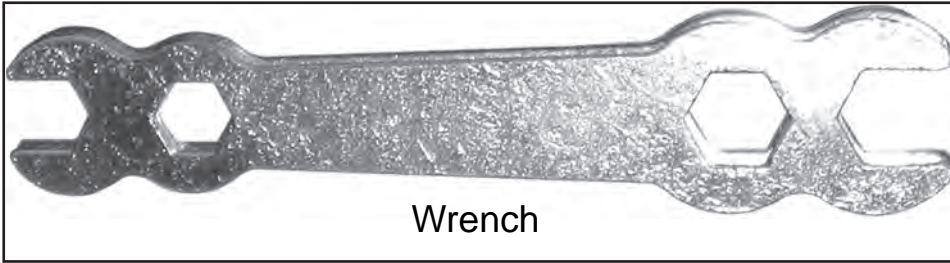
### **!** Warning **!**

**BE SURE** to lower the stand to the ground before assembling the Comfort Kit to your stand. You **MUST** have the help of at least two other people

The enclosed Comfort Kit is only to be used for Ladderstand Model # HEH00065



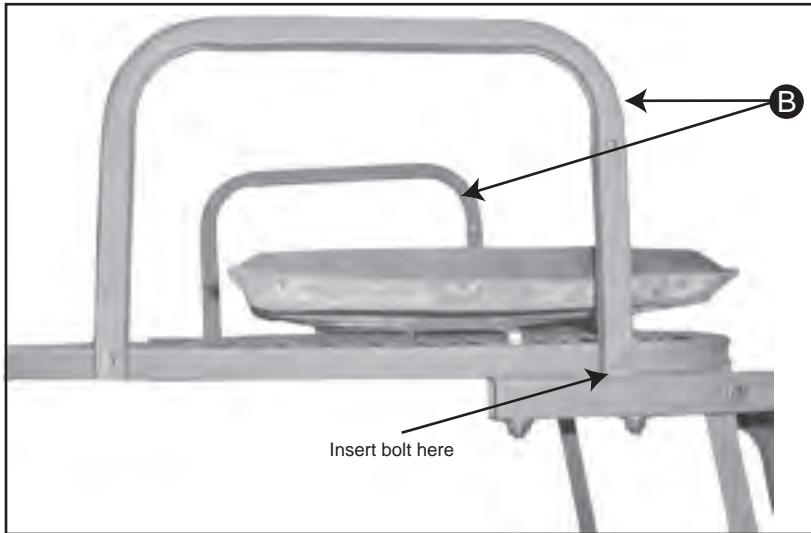
Thank you for purchasing the Comfort Zone Comfort Kit for the Basic Ladderstand by Primal Vantage Company Inc. The Comfort Kit does require some minor assembly. You will find detailed instructions included. The following instructions will tell you how to assemble and use your Comfort Kit with your ladder stand. Every year hunters are seriously injured in treestand accidents. Please carefully read and follow these instructions. For customer service visit [www.treestandcustomerservice.com](http://www.treestandcustomerservice.com) or call 1-800-722-7345 and ask for Primal Vantage.



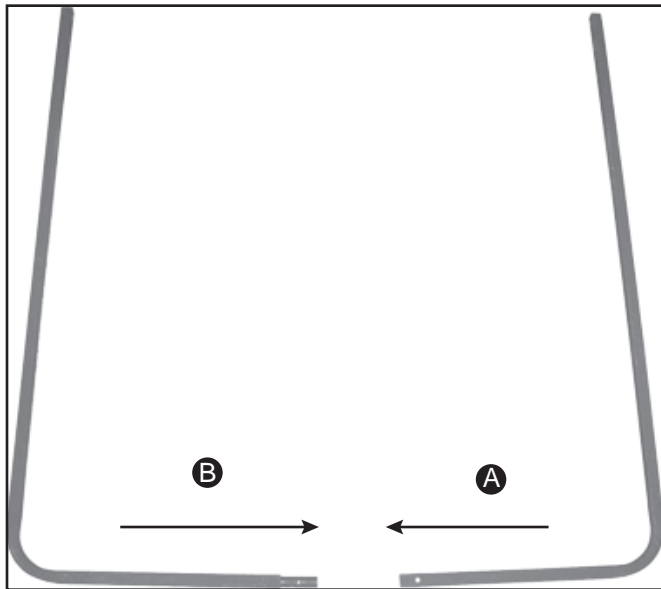
<b>HEH00069 Hardware</b>		
2	M6x50mm Bolt	Part # 1650
2	Short Knobs	Part # SK-100
2	Shooting Rail Knobs	Part # SRK-100

# HEH00069 Assembly Instructions Page 1

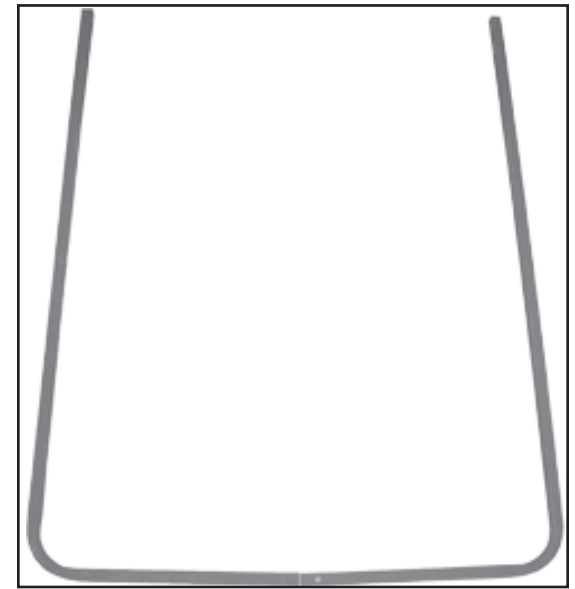
**BE SURE** to lower the stand to the ground before assembling the Comfort Kit to your stand. You **MUST** have the help of at least two other people



1. Attach the front of Arm Rests **C** to each side of the seat platform using 1 bolt on each side.

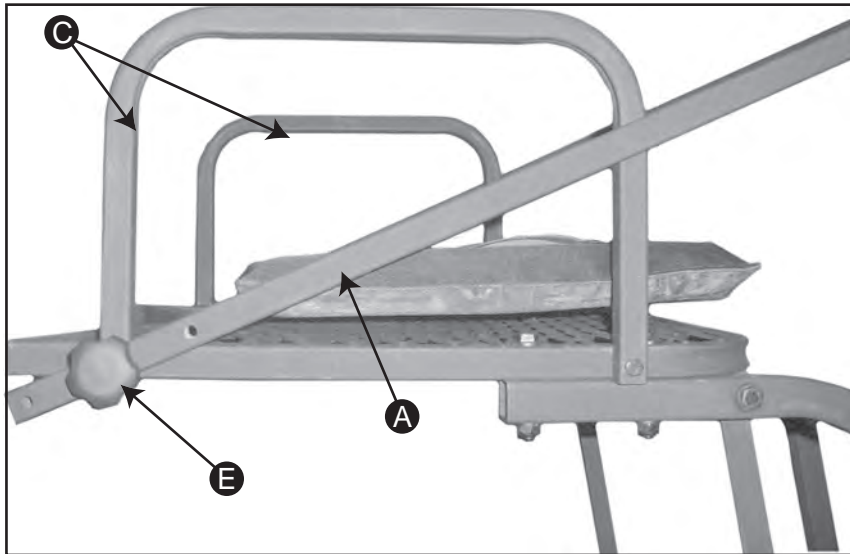


2. Slide male section of Shooting Rail **A** into the female end of Shooting Rail **B**.

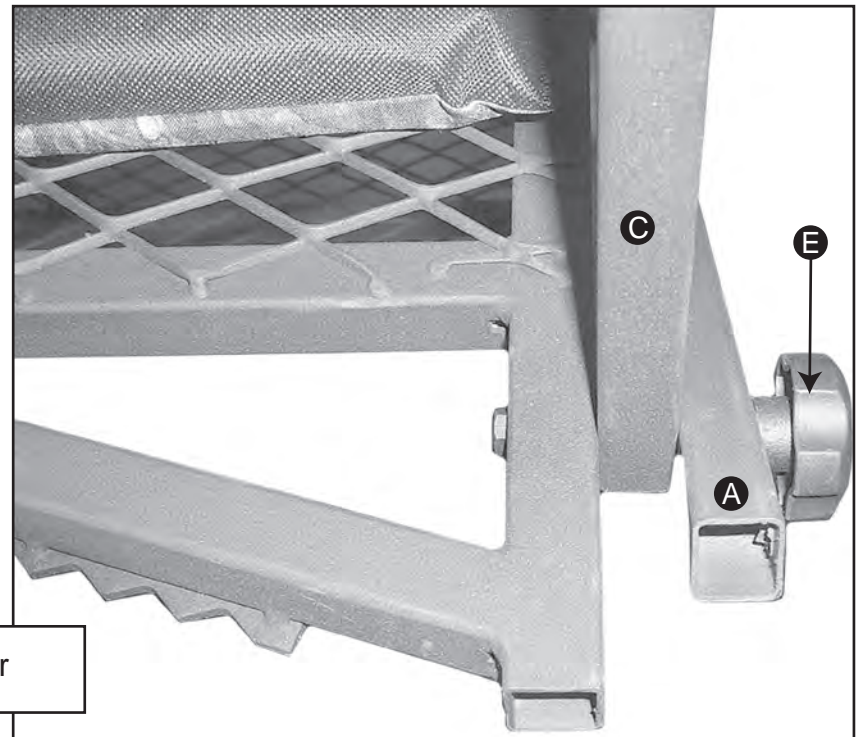


## HEH00069 Assembly Instructions Page 2

**BE SURE** to lower the stand to the ground before assembling the Comfort Kit to your stand. You **MUST** have the help of at least two other people



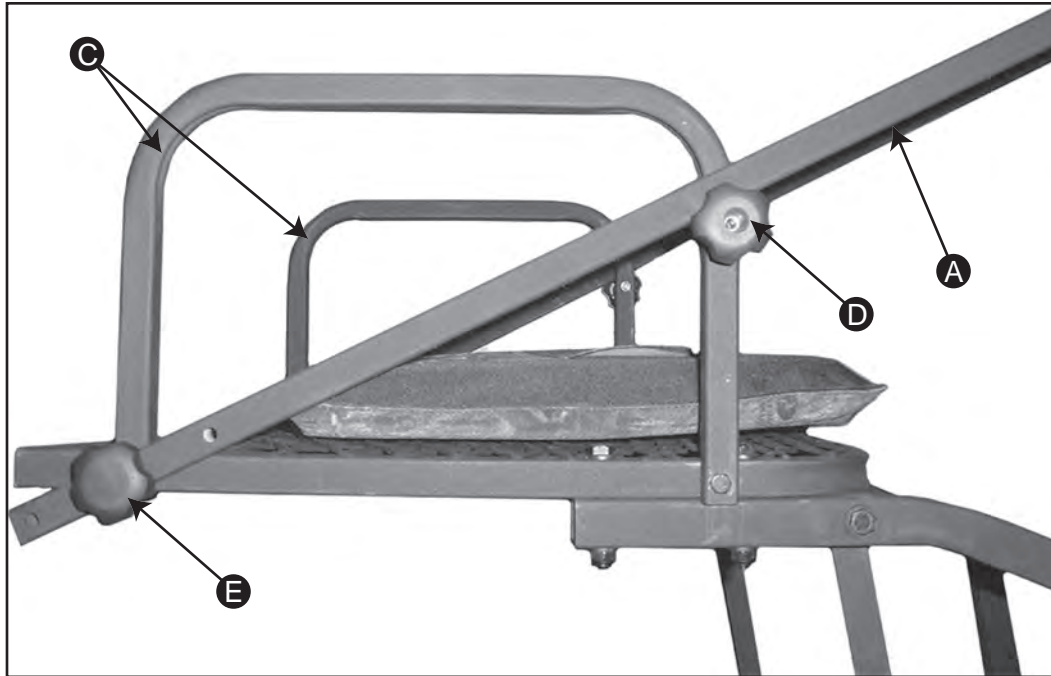
3. Attach the rear of Shooting Rest to the rear of Arm Rest **C** using Short Knob **E**. Insert the bolt through the seat platform, then through the Arm Rest and then through the Shooting Rail. Tighten the knob to secure the three parts together. Repeat for other side.



Close-up of connection order

## HEH00069 Assembly Instructions Page 3

**BE SURE** to lower the stand to the ground before assembling the Comfort Kit to your stand. You **MUST** have the help of at least two other people



4. Insert the bolt of Shooting Rail Knob **D** through the front hole on Arm Rest **C** and secure with the plastic knob. The Shooting Rail will rest on top of the knob.



5. Attach Arm Rest Cover **E** to each Arm Rest and attach Shooting Rail Cover **F** to the Shooting Rail.