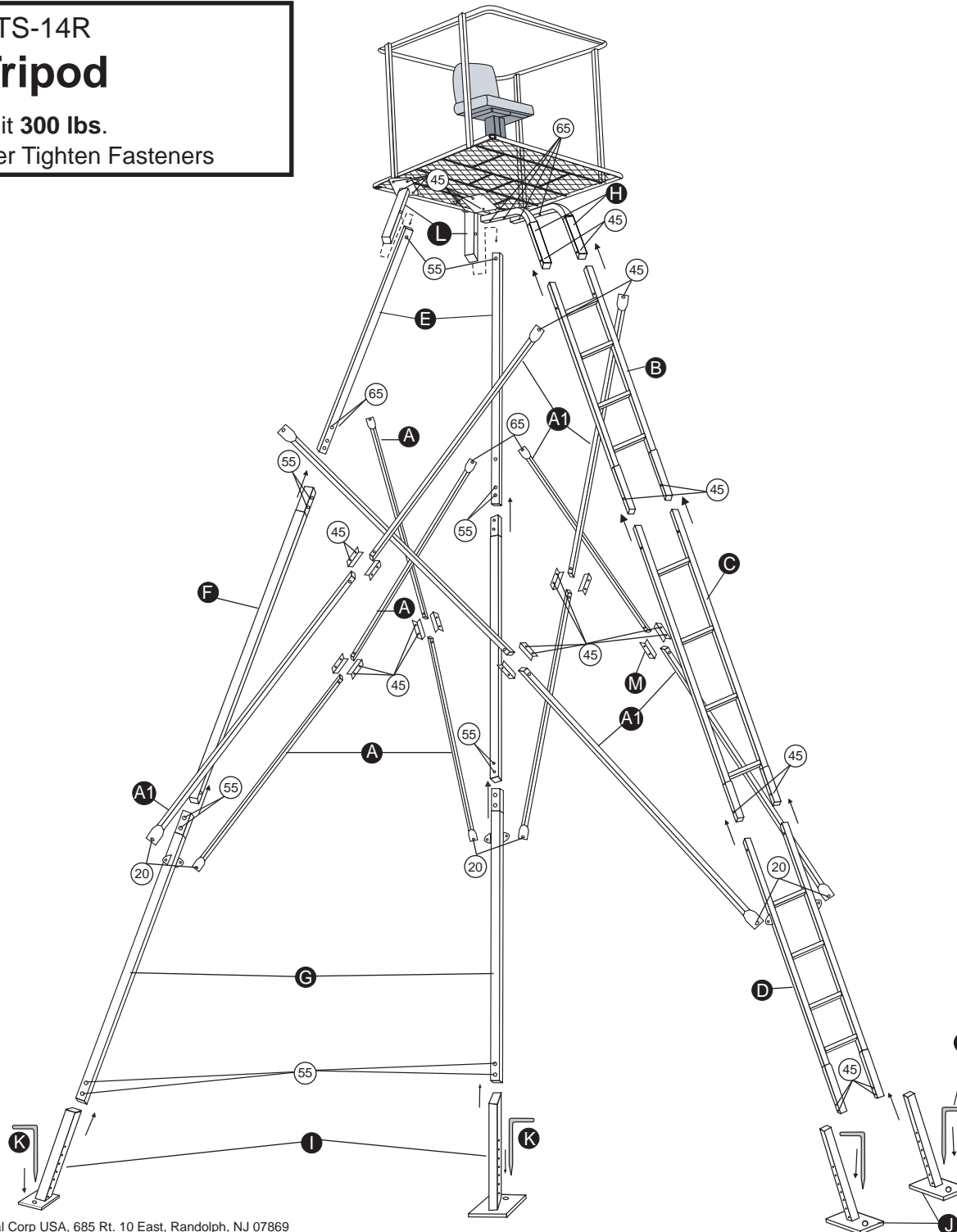


Model: AMTS-14R

# 14Ft. Tripod

- Weight Limit **300 lbs.**
- Do Not Over Tighten Fasteners



## Parts List

<b>A</b>	4 Leg/Leg Cross Brace	Part # WCB-600
<b>A1</b>	8 Ladder/Leg Cross Brace	Part # WCB-650
<b>B</b>	1 Top Ladder Section	Part # WL-6000
<b>C</b>	1 Middle Ladder Section	Part # WL-6250
<b>D</b>	1 Bottom Ladder Section	Part # WL-6500
<b>E</b>	2 Top Leg	Part # WL-6100
<b>F</b>	2 Middle Leg	Part # WL-6200
<b>G</b>	2 Bottom Leg	Part # WL-6300
<b>H</b>	2 Handle Rail	Part # WHR-600
<b>I</b>	2 Rear Leg Foot	Part # WLF-600
<b>J</b>	2 Ladder Section Foot	Part # WLF-650
<b>K</b>	4 Anchor Pin	Part # WAP-600
<b>L</b>	2 Rear Leg Brace	Part # WLB-600
<b>M</b>	12 Bracket	Part # WB-600

## Hardware

<b>65</b>	14 M8x65mm Bolt	Part # 1865
<b>55</b>	20 M8x55mm Bolt	Part # 1855
<b>45</b>	36 M8x45mm Bolt	Part # 1845
<b>30</b>	1 M8x30mm Bolt	Part # 1830
<b>20</b>	6 M8x20mm Bolt	Part # 1820
	154 M8 Washer	Part # 1800
	77 M8 Nut	Part # 1810

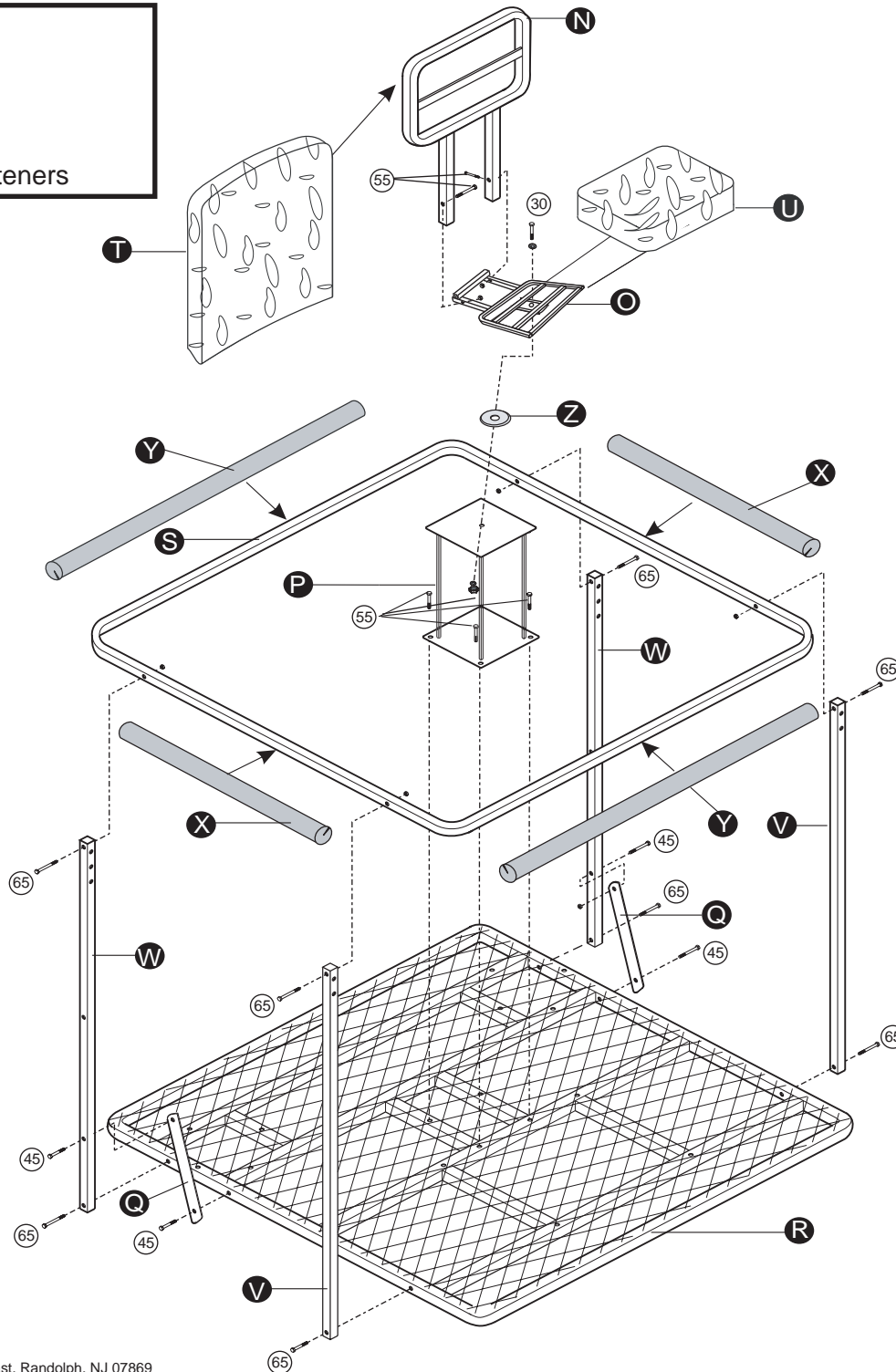
Thank you for purchasing the Sportsman's Tripod by Tahsin Industrial Corp USA. The Tripod does require some assembly. You will find detailed instructions with your tripod. The following instructions will tell you how to assemble and use your tripod. Every year hunters are seriously injured in treestand accidents. Please carefully read and follow these instructions.

For customer service call 1-800-722-7345 or visit

Model: AMTS-14R

# 14Ft. Tripod

Weight Limit **300 lbs.**  
Do Not Over Tighten Fasteners



## Parts List

N	1 Backrest	Part # WBR-600
O	1 Swivel Seat	Part # WSS-600
P	1 Seat Pedestal	Part # WSP-600
Q	2 Rear Rail Support Brace	Part # WSB-650
R	1 Platform	Part # WP-600
S	1 Shooting Rail	Part # WSR-600
T	1 Seat Back Cushion	Part # WSC-600
U	1 Bottom Seat Cushion	Part # WSC-650
V	2 Front Rail Support	Part # WRS-600
W	2 Rear Rail Support	Part # WRS-650
X	2 Side Rail Padding	Part # WPAC-600
Y	2 Front/Rear Rail Padding	Part # WPSC-600
Z	1 Large Washer	Part # WLW-600

Thank you for purchasing the Sportsman's Tripod by Tahsin Industrial Corp USA. The Tripod does require some assembly. You will find detailed instructions with your tripod. The following instructions will tell you how to assemble and use your tripod. Every year hunters are seriously injured in treestand accidents. Please carefully read and follow these instructions.

For customer service call 1-800-722-7345 or visit [www.treestandcustomerservice.com](http://www.treestandcustomerservice.com).

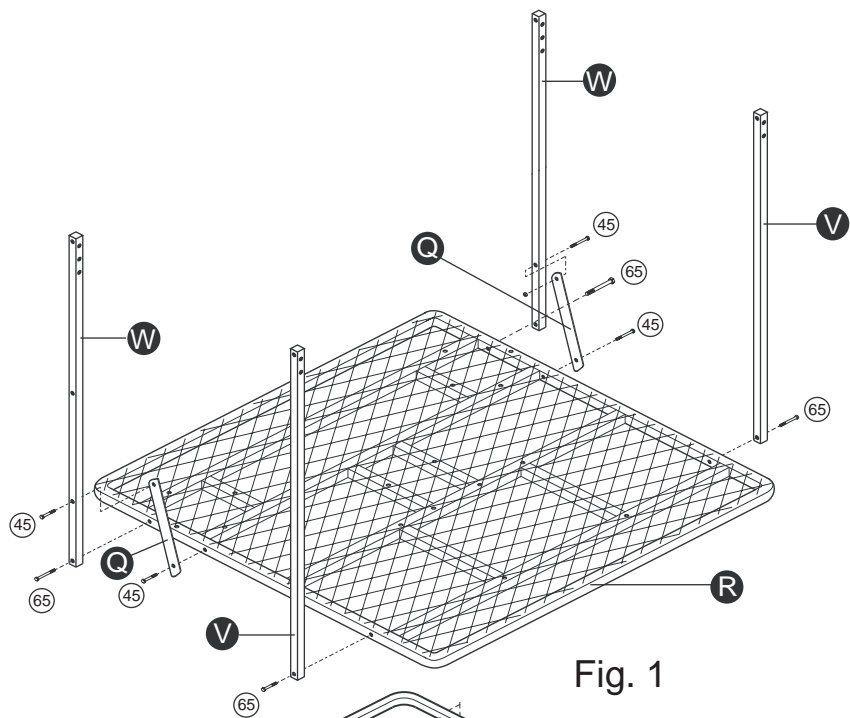


Fig. 1

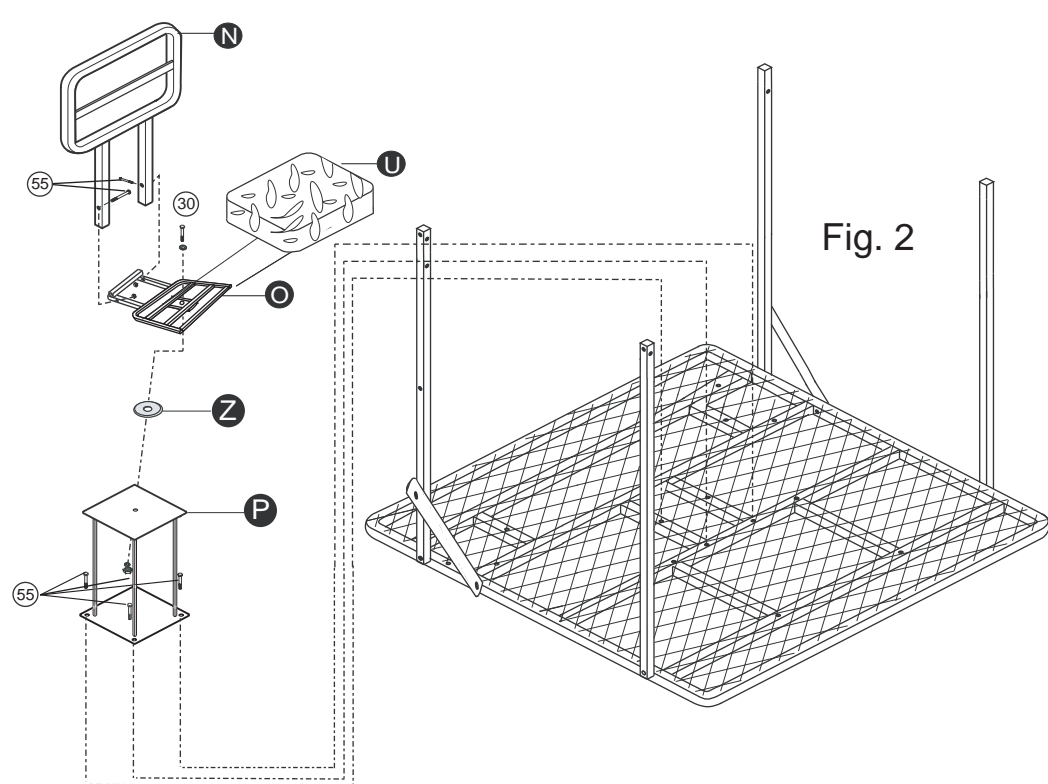


Fig. 2

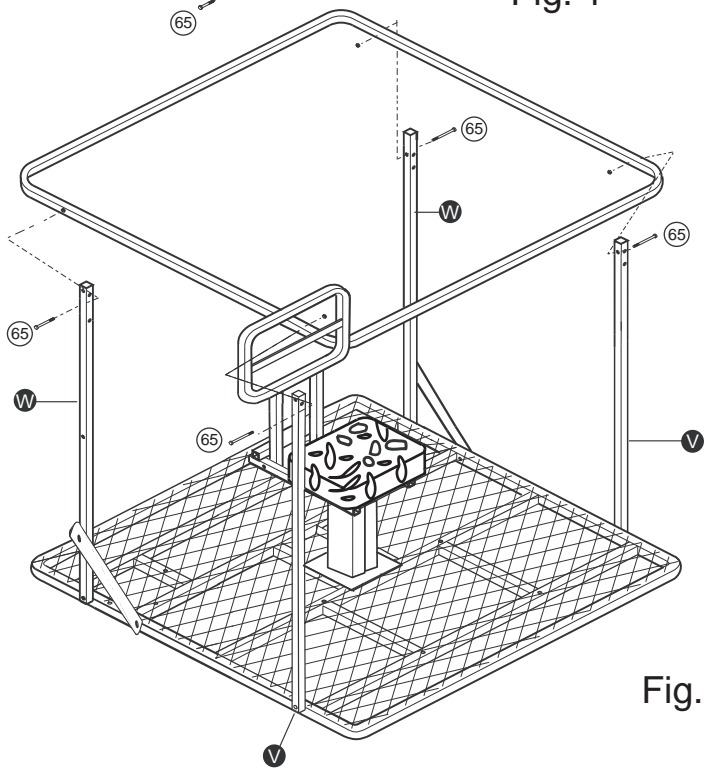


Fig. 3

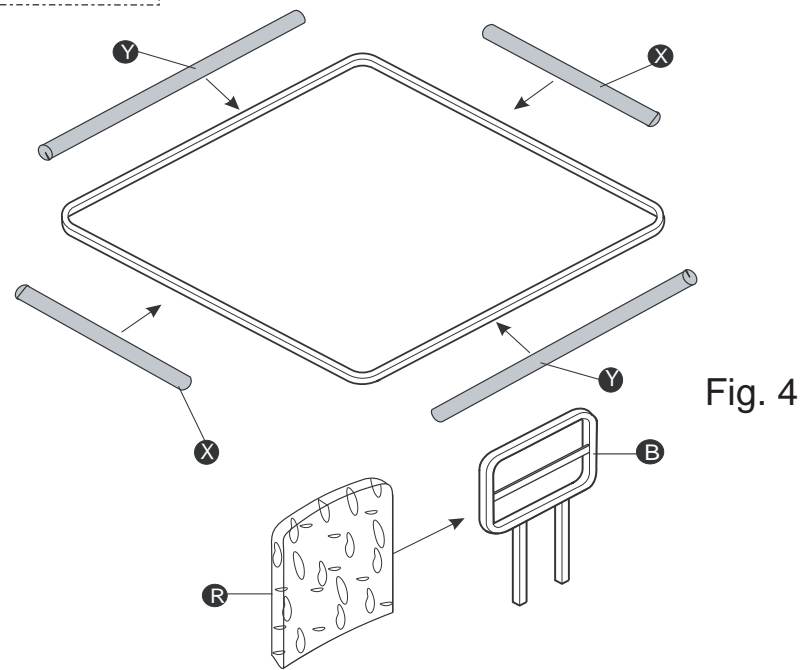


Fig. 4

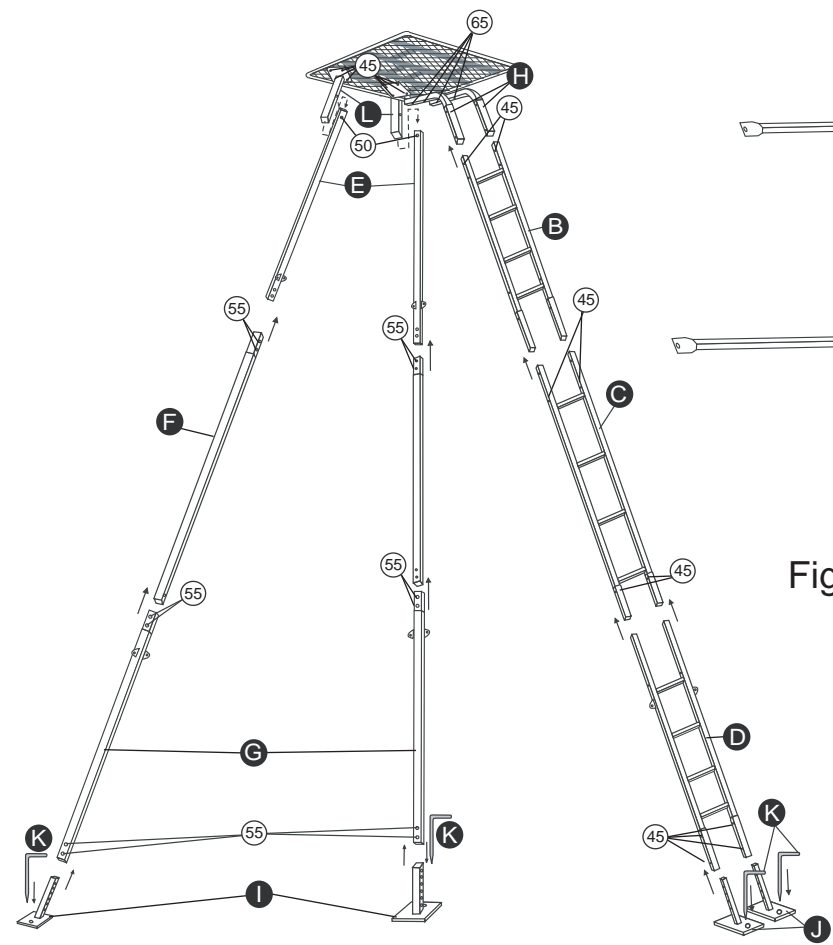


Fig. 5

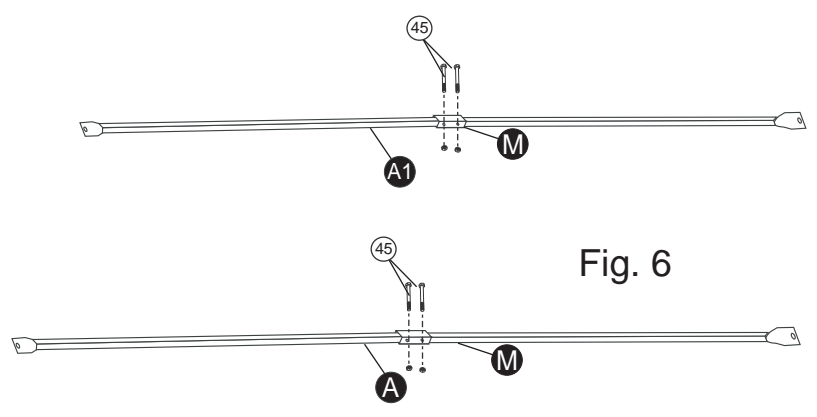


Fig. 6

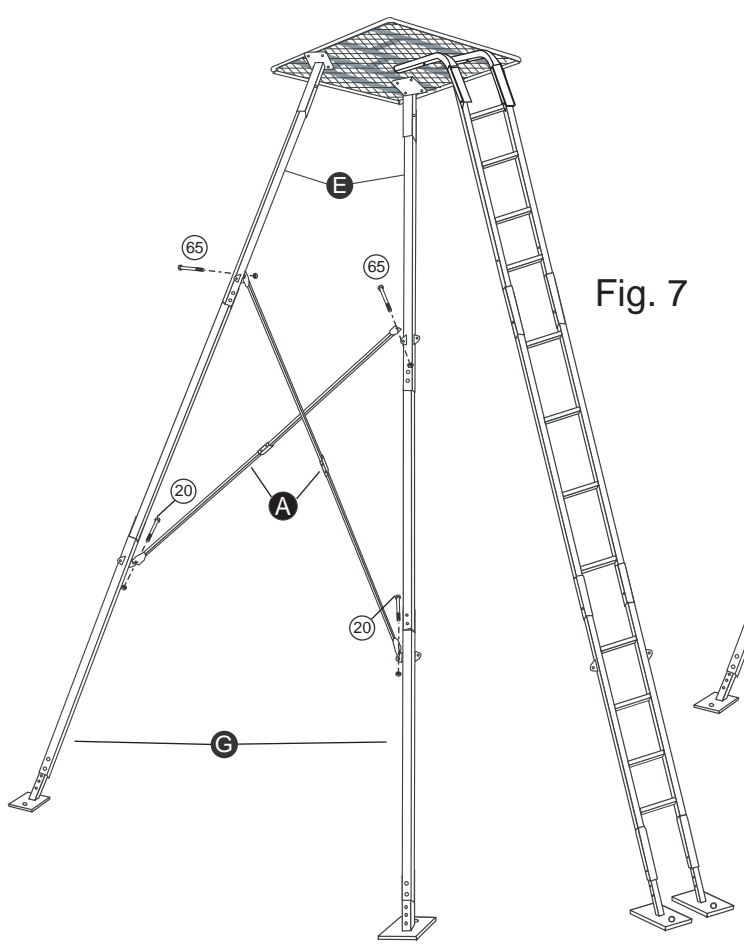


Fig. 7

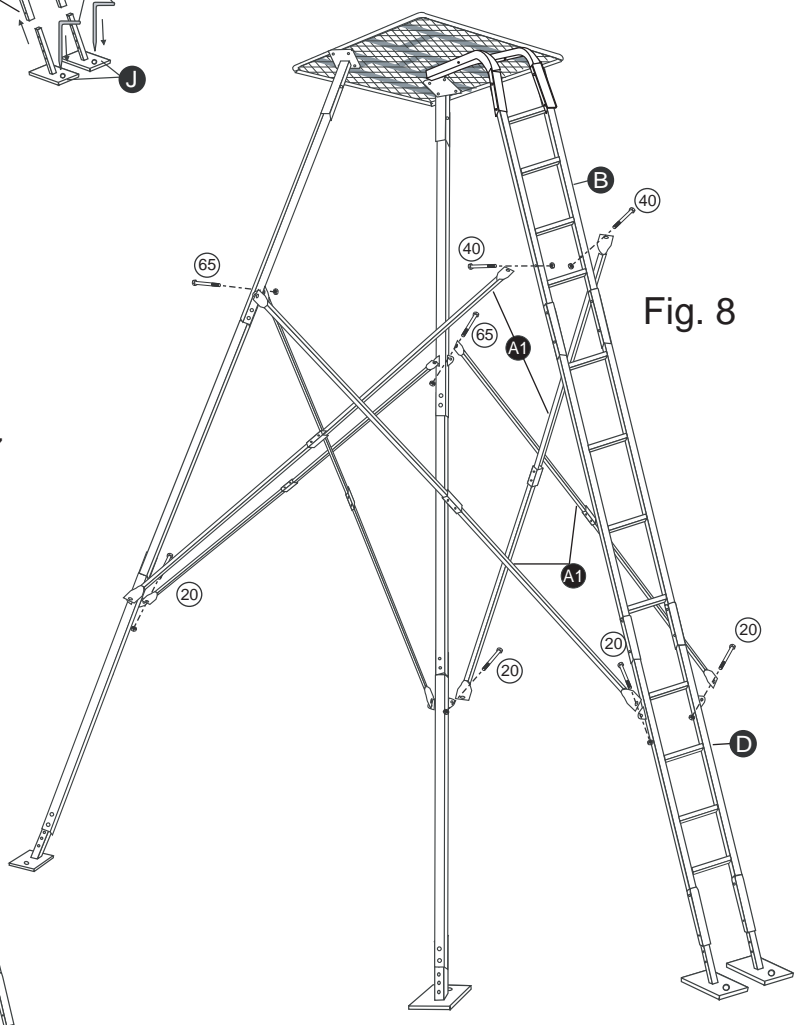


Fig. 8

## Top Rail and Seat Assembly

1. Attach Front Rail Support Bars **V** to front of Platform **R** with **1-65mm bolt** for each side. Then, attach Rear Rail Support Bars **W** to rear of Platform **R** with **1-65mm bolt** for each side. (See Fig.1)
2. Attach Rear Rail Support Brace **Q** to rear of Platform **R** and Rear Rail Support Bars **W** with **2-45mm bolts** for each side. (See Fig.1)
3. Attach Seat Pedestal **P** to Platform **R** with **4-45mm bolts** for each side. (See Fig. 2)
4. Place Large Washer **Z** over the hole on the Seat Pedestal **P**, then attach Swivel Seat **O** to Seat Pedestal **P** with **1-30mm bolt**. (See Fig.2)
5. Attach Backrest **N** to Swivel Seat **P**. Attach with **2-55mm bolts**. (See Fig. 2)
6. Attach front of Shooting Rail **S** to Front Rail Support **V** with **1-65mm bolt** for each side. (See Fig. 3)
7. Attach rear of Shooting Rail **S** to Rear Rail Support **W** with **1-65mm bolt** for each side. (See Fig.3)
6. Insert Seatback Cushion **T** to Backrest **N** .(See Fig. 4)
7. Attach Front/Rear Rail Padding **Y** to front and rear of Rail and attach Side Rail Padding **X** to sides of Shooting Rail. Wrap Camo material around Pads. (See Fig. 4)
8. Lean platform over and attach Rear Leg Braces **L** to the underside of the platform, facing the rear and outside. Secure with **4-45mm bolts** for each Brace. (See Fig. 5)
9. Attach the Handle Rails **H** to the underside and front of the platform. Secure with **2-65mm bolt** each side. (See Fig. 5)

## Leg and Cross Brace Assembly Instructions

1. Insert Leg **E** into Leg Brace **L** . Attach with **1-55mm bolt** for each leg. Insert Leg **F** into Leg **E** . Attach with **2-55mm bolts** for each leg. Insert Leg **G** into Leg **F** . Attach with **2-55mm bolts** for each leg. Insert Foot **I** into Leg **G** . Attach with **2-55mm bolts** for each leg. **You must secure the feet with two bolts.** (See Fig. 5)
2. Insert Top Ladder Section **B** into Handle Rails **H** . Secure with **2-45mm bolts** for each side. Attach Middle Ladder Section **C** into Top Ladder Section **B** . Secure with **2-45mm bolts** for each side. Insert Bottom Ladder Section **D** into Middle Ladder Section **C** . Secure with **2-45mm bolts** for each side. (See Fig. 5)
3. Insert Foot **J** into Bottom Ladder Section **D** . Secure with **1-45mm bolt** for each side. Stand platform upright so it is firmly on its feet. (See Fig. 5)
4. Combine all Leg/Leg Cross Braces **A** using 2 Brackets **M** and **2-45mm bolts**. (See Fig. 6) This will make 2 **A** Cross Brace Assemblies.
5. Attach each completed Leg/Leg brace assemblies to the tabs on leg sections **E** and **G** using **1-55mm bolt** and **1-20mm bolt** at each attachment point. (See Fig. 7)
6. Combine all Ladder/Leg Cross Braces **A1** using 2 Brackets **M** and **2-45mm bolts**. (See Fig. 6) This will make 4 **A1** Cross Brace Assemblies
7. Attach each completed Ladder/Leg brace assemblies to the tabs on leg sections **E** and **G** and ladder sections **B** and **D** using **1-45mm** and **1-20mm bolt** at each attachment point. (See Fig. 8)
8. Stand whole assembly up. You will need no less than three people to lift assembly.
9. Position stand to where you want to hunt from. Push the Anchor Pins **K** into the ground through the feet of each leg and the bottom ladder section.

Model: AMTS-14R

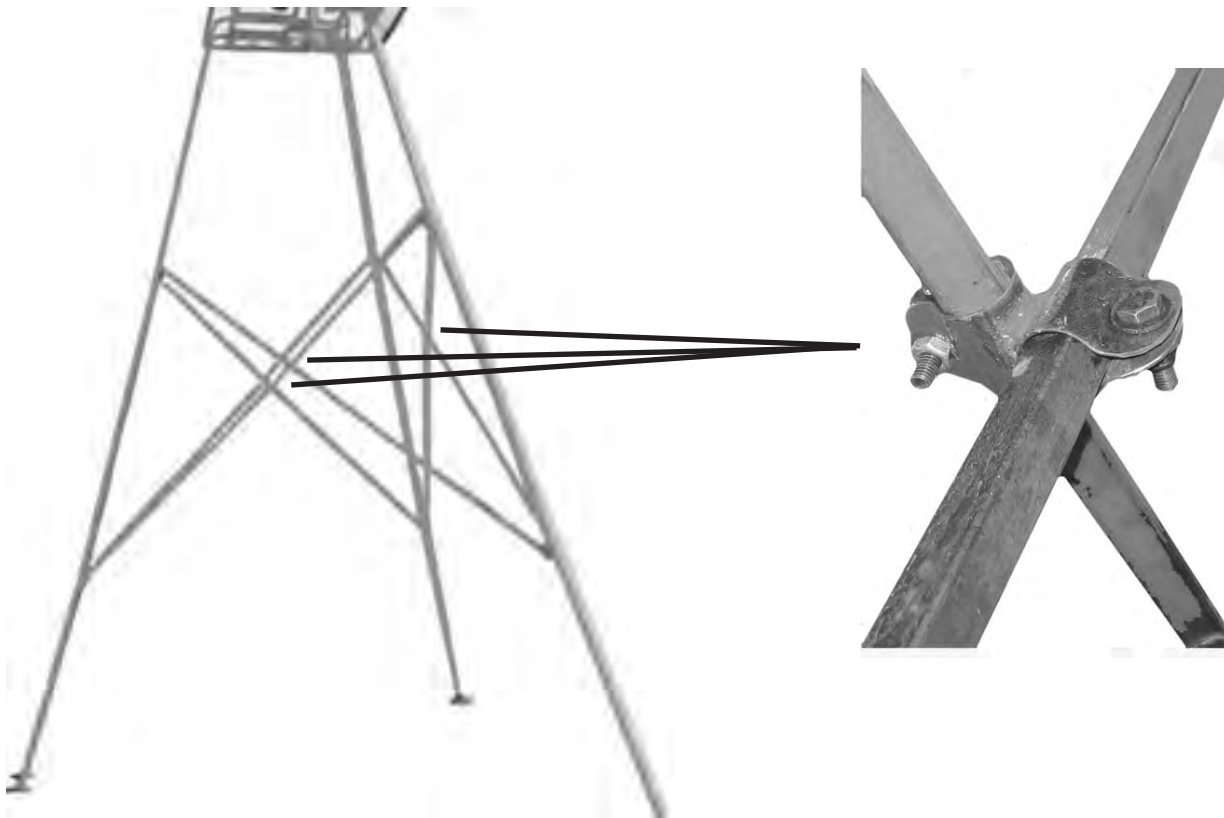
## 14Ft. Tripod

- Weight Limit **300 lbs.**
- Do Not Over Tighten Fasteners

Instructions for Final Set-up **PRIOR** to Use

**⚠ WARNING ⚠ WARNING ⚠ WARNING ⚠ WARNING ⚠**

In the tripod carton you will find 3 x-brackets, these x-brackets are important in the strength of your tripod. These x-brackets are to attach together the cross braces on each side of your tripod for the added stability and strength. **DO NOT** use the tripod without these cross braces properly installed.



After attaching 3 x-brackets to lock cross braces together, ground stakes **MUST** be installed on each foot bracket, with the foot flat to the ground **PRIOR** to climbing the tripod. Any adjustments to position of tripod **MUST** be made while at ground level.

### Parts List

3	X-Bracket	Part# WXB-600
④	6 M8 x 40mm Bolt	Part# 1840
6	Nut	Part# 1810

Distributed by Tahsin Industrial Corp USA  
685 Route 10 East  
Randolph, NJ 07869

© 2007

Thank you for purchasing the Sportsman's Tripod by Tahsin Industrial Corp USA. You will find detailed instructions with your tripod. The following instructions will tell you how to assemble and use your tripod. Every year hunters are seriously injured in treestand accidents. Please carefully read and follow these instructions. For customer service or further assistance with this product, please visit [www.treestandcustomerservice.com](http://www.treestandcustomerservice.com) or call 1-800-722-7345.

# Warning Warning Warning

1. **ALWAYS** read all warnings and instructions before each use of tripod. Failure to read all warnings and instructions before each use of tripod may result in serious injury or death.
2. Remove all contents from box. Remove all cardboard from the product. Inspect for any damaged or missing pieces. **DO NOT** assemble or use tripod if any parts are missing or damaged. Using the tripod with missing or damaged parts may result in serious injury or death. Missing or damaged parts may be obtained from the address and phone number listed below.
3. **DO NOT** use tripod if any bolts or nuts are loose, bent or crooked.
4. Be sure to retighten all bolts before each new use of tripod.
5. Weight limit of this tripod is **300 lbs**. **DO NOT** use tripod if you or your combined weight with any accessories are more than **300 lbs**. Using this tripod when over **300 lbs**. may result in serious injury or death.
6. **NEVER** use tripod if you have dizzy spells, a heart condition, are afraid of heights, have been advised by a doctor or other healthcare provider not to climb, or have any condition that would impair your ability to climb up or down or use tripod as it could result in serious injury or death. Please consult a physician prior to use.
7. **DO NOT** use tripod under the influence of alcohol, medication, or any illegal substances. Using the tripod while under influence of any of these substances may result in serious injury or death.
8. **NEVER** use tripod during inclement weather. **DO NOT** use tripod during thunderstorms or any other weather conditions that included (but not limited to) lightning, freezing rain that could create slippery or dangerous conditions.
9. **DO NOT** use the tripod unless the ground is dry or level. Failure to use tripod when the ground is dry or level may result in serious injury or death.
10. **DO NOT** leave your tripod outside all year round. It must be stored inside when not in use.
11. **NEVER** climb tripod with your weapon. Make sure that the unloaded firearm gun barrel is pointed toward the ground when raising or lowering it to your stand. Always use a safe hoist/lift system on the opposite side of the tree from which you are climbing.
12. **ALWAYS** unload you weapon and use safety lock while raising or lowering your weapon. Failure to unload your weapon may result in serious injury or death.
13. **ALWAYS** have a communication device on your person and easily accessible. Immediate access to another person may save your life. In the event of an accident, a rescue plan must be in place and able to be incorporated immediately.
14. **DO NOT** fall asleep in your stand as you may potentially fall out resulting in serious injury or death.
15. **NEVER** stand on the product's seat, footrest, armrest or shooting rail. Standing on any part of product may result in serious injury or death.
16. **ALWAYS** test climbing surface and platform for ice or moisture before climbing or using product. Using product when wet or icy may result in serious injury or death.
17. **NEVER** make any unauthorized alterations or modifications to the product. Doing so may result in serious injury or death and will void any and all warranties.
18. **NEVER** remove or deface the warning labels. Replacement labels can be obtained from Tahsin Industrial Corp USA, 685 Route 10 East, Randolph, NJ 07869. Toll Free # 1-800-722-7345 or on the web at [www.treestandcustomerservice.com](http://www.treestandcustomerservice.com)