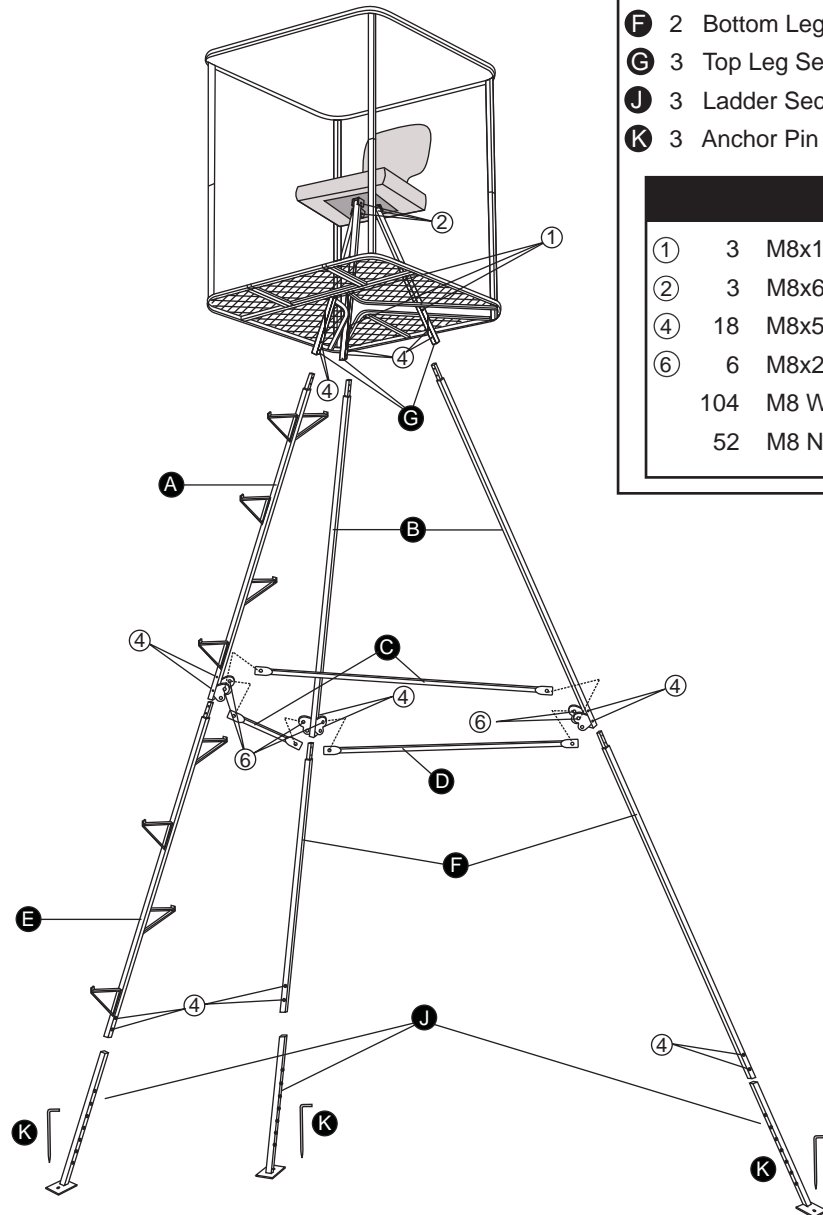


Model: SGTS-13R

13Ft. Tripod

- Weight Limit **300 lbs.**
- Do Not Over Tighten Fasteners



Parts List

A	1 Middle Ladder Section	Part # GL-1300
B	2 Middle Leg Section	Part # GL-1310
C	2 Long Cross Brace	Part # GL-1315
D	1 Short Cross Brace	Part # GL-1320
E	1 Bottom Ladder Section	Part # GL-1325
F	2 Bottom Leg Section	Part # GL-1330
G	3 Top Leg Section	Part # GL-1335
J	3 Ladder Section Foot	Part # GF-1340
K	3 Anchor Pin	Part # AP-600

Hardware

1	3 M8x105mm Bolt	Part # 18105
2	3 M8x60mm Bolt	Part # 1860
4	18 M8x50mm Bolt	Part # 1850
6	6 M8x20mm Bolt	Part # 1820
	104 M8 Washer	Part # 1800
	52 M8 Nut	Part # 1810



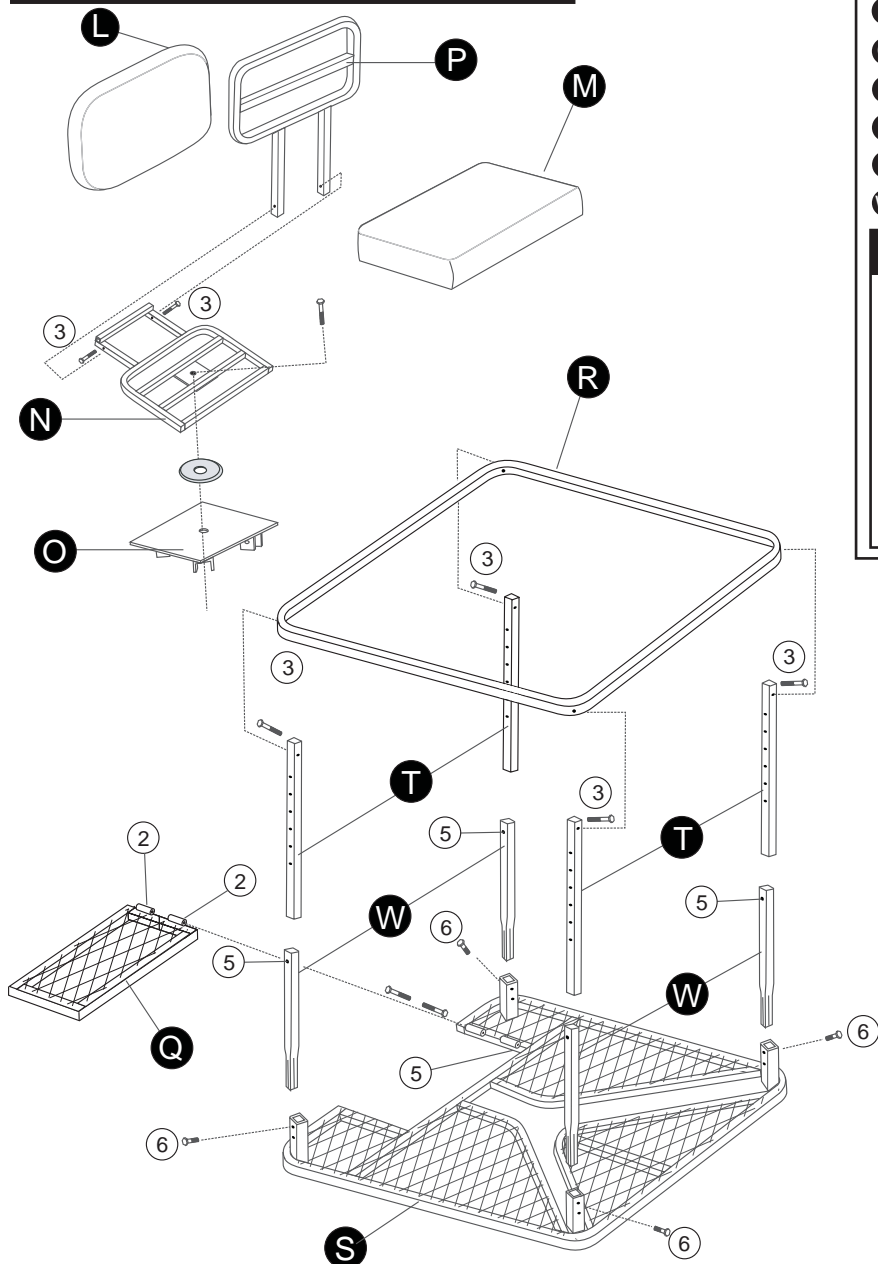
- 1. ALWAYS** read all warnings and instructions before each use of tripod. Failure to read all warnings and instructions before each use of tripod may result in serious injury or death.
- Remove all contents from box. Remove all cardboard from the product. Inspect for any damaged or missing pieces. **DO NOT** assemble or use tripod if any parts are missing or damaged. Using the tripod with missing or damaged parts may result in serious injury or death. Missing or damaged parts may be obtained from the address and phone number listed below.
- DO NOT** use tripod if any bolts or nuts are loose, bent or crooked.
- Be sure to retighten all bolts before each new use of tripod.
- Weight limit of this tripod is **300 lbs.** **DO NOT** use tripod if you or your combined weight with any accessories are more than **300 lbs.** Using this tripod when over **300 lbs.** may result in serious injury or death.
- NEVER** use tripod if you have dizzy spells, a heart condition, are afraid of heights, have been advised by a doctor or other healthcare provider not to climb, or have any condition that would impair your ability to climb up or down or use tripod as it could result in serious injury or death. Please consult a physician prior to use.
- DO NOT** use tripod under the influence of alcohol, medication, or any illegal substances. Using the tripod while under influence of any of these substances may result in serious injury or death.
- NEVER** use tripod during inclement weather. **DO NOT** use tripod during thunderstorms or any other weather conditions that included (but not limited to) lightning, freezing rain that could create slippery or dangerous conditions.
- DO NOT** use the tripod unless the ground is dry or level. Failure to use tripod when the ground is dry or level may result in serious injury or death.
- DO NOT** leave your tripod outside all year round. It must be stored inside when not in use.
- NEVER** climb tripod with your weapon. Make sure that the unloaded firearm gun barrel is pointed toward the ground when raising or lowering it to your stand. Always use a safe hoist/lift system on the opposite side of the tree from which you are climbing.
- ALWAYS** unload your weapon and use safety lock while raising or lowering your weapon. Failure to unload your weapon may result in serious injury or death.
- ALWAYS** have a communication device on your person and easily accessible. Immediate access to another person may save your life. In the event of an accident, a rescue plan must be in place and able to be incorporated immediately.
- DO NOT** fall asleep in your stand as you may potentially fall out resulting in serious injury or death.

Thank you for purchasing Guide Gear's® 13ft Tripod by Primal Vantage Company Inc. The tripod does require some minor assembly. You will find detailed instructions with your tripod. The following instructions will tell you how to assemble and use your tripod. Every year hunters are seriously injured in treestand accidents. Please carefully read and follow these instructions. For customer service visit www.treestandcustomerservice.com or call 1-800-722-7345 and ask for Primal Vantage.

Model: SGTS-13R

13Ft. Tripod

- Weight Limit **300 lbs.**
- Do Not Over Tighten Fasteners



Parts List

L	1	Seat Back Cushion	Part # GC-1300
M	1	Bottom Seat Cushion	Part # GC-1310
N	1	Swivel Seat	Part # GS-1300
O	1	Turnplate	Part # GT-1300
P	1	Seat Back	Part # GS-1320
Q	1	Trap Door	Part # GT-1325
R	1	Shooting Rail	Part # GR-1300
S	1	Platform	Part # GP-1300
T	4	Rail Extension	Part # GE-1300
W	4	Support Bar	Part # GB-1300

Hardware

②	2	M8x60mm Bolt	Part # 1860
③	6	M8x55mm Bolt	Part # 1855
⑤	4	M8x40mm Bolt	Part # 1840
⑥	4	M8x20mm Bolt	Part # 1820
	28	M8 Washer	Part # 1800
	14	M8 Nut	Part # 1810
	1	Large Washer	Part # LW-600

Warning ⚠ Warning ⚠ Warning

1. **ALWAYS** read all warnings and instructions before each use of tripod. Failure to read all warnings and instructions before each use of tripod may result in serious injury or death.
2. Remove all contents from box. Remove all cardboard from the product. Inspect for any damaged or missing pieces. **DO NOT** assemble or use tripod if any parts are missing or damaged. Using the tripod with missing or damaged parts may result in serious injury or death. Missing or damaged parts may be obtained from the address and phone number listed below.
3. **DO NOT** use tripod if any bolts or nuts are loose, bent or crooked.
4. Be sure to retighten all bolts before each new use of tripod.
5. Weight limit of this tripod is **300 lbs.** **DO NOT** use tripod if you or your combined weight with any accessories are more than **300 lbs.** Using this tripod when over **300 lbs.** may result in serious injury or death.
6. **NEVER** use tripod if you have dizzy spells, a heart condition, are afraid of heights, have been advised by a doctor or other healthcare provider not to climb, or have any condition that would impair your ability to climb up or down or use tripod as it could result in serious injury or death. Please consult a physician prior to use.
7. **DO NOT** use tripod under the influence of alcohol, medication, or any illegal substances. Using the tripod while under influence of any of these substances may result in serious injury or death.
8. **NEVER** use tripod during inclement weather. **DO NOT** use tripod during thunderstorms or any other weather conditions that included (but not limited to) lightning, freezing rain that could create slippery or dangerous conditions.
9. **DO NOT** use the tripod unless the ground is dry or level. Failure to use tripod when the ground is dry or level may result in serious injury or death.
10. **DO NOT** leave your tripod outside all year round. It must be stored inside when not in use.
11. **NEVER** climb tripod with your weapon. Make sure that the unloaded firearm gun barrel is pointed toward the ground when raising or lowering it to your stand. Always use a safe hoist/lift system on the opposite side of the tree from which you are climbing.
12. **ALWAYS** unload your weapon and use safety lock while raising or lowering your weapon. Failure to unload your weapon may result in serious injury or death.
13. **ALWAYS** have a communication device on your person and easily accessible. Immediate access to another person may save your life. In the event of an accident, a rescue plan must be in place and able to be incorporated immediately.
14. **DO NOT** fall asleep in your stand as you may potentially fall out resulting in serious injury or death.

Thank you for purchasing Guide Gear's® 13ft Tripod by Primal Vantage Company Inc. The tripod does require some minor assembly. You will find detailed instructions with your tripod. The following instructions will tell you how to assemble and use your tripod. Every year hunters are seriously injured in treestand accidents. Please carefully read and follow these instructions. For customer service visit www.treestandcustomerservice.com or call 1-800-722-7345 and ask for Primal Vantage.

Top Section Assembly

1. Place Turnplate **M** on the ground with flat side down. Attach Top Leg Sections **G** using **3 - 60mm bolts**.
2. Attach Platform **S** to the three top leg sections using **3 - 105mm bolts**.
3. Place Large Washer **N** on the flat side of the Turnplate **M**. Place Swivel Seat **L** on top of the Large Washer and insert **1 - 40mm bolt** through the hole to attach.
4. Attach Seat Back **Q** to Swivel Seat **L** using **2 - 55mm bolts**. Slide Seat Back Cushion **P** over Seat Back.
5. Attach Trap Door **U** to Platform **S**. Insert Hinge Pin through the hinge.
6. Insert each Support Bar **W** into the posts on the four corners of the platform. Attach Bars **W** to the posts by using **1 - 20mm bolt** for each post.
7. Slide the Rail Extension **T** into Support Bar **W** at the desired height. Secure using **1 - 40mm bolt** and 1 nut.
8. Attach Shooting Rail **R** to the Rail Extensions **T** using **1 - 55mm bolt** at each corner.
9. The upper portion of your tripod should now be complete

Bottom Section Assembly

1. Lay the platform assembly down. Connect Top Ladder Section **N** (under trapdoor) to Middle Ladder Section **A** using **2 - 50mm bolts**. Connect Middle Leg Sections **B** to remaining Top Leg Sections **G** using **2 - 50mm bolts** for each leg.
2. Attach Long Cross Brace **C** to the upper attachment points of the flange on Leg Section **B** and Ladder Section **A** using **1 - 20mm bolt** for each cross brace section. *(The Long Cross Brace attaches from the ladder to the legs.)*
3. Attach Short Cross Brace **D** to the upper attachment points of the flange on both Leg Sections **B**. *(The Short Cross Brace attaches to both legs.)*
4. Connect Bottom Ladder Section **E** to Middle Ladder Section **A** using **2 - 50mm bolts**. Connect remaining Bottom Leg Sections **F** to both Middle Leg Sections **B** using **2 - 50mm bolts**.
5. Insert Foot **J** into the bottom of each leg and ladder section using **1 - 50mm bolt** to secure. Make sure the feet are facing the correct direction as shown in the diagram.
6. Once the tripod is assembled and in place, secure the tripod in position using the 13" Anchor Pins **K** provided. These stakes should be driven through the holes on the bases and firmly into the ground.

⚠ Warning ⚠ Warning ⚠ Warning ⚠ Warning ⚠ Warning ⚠ Warning ⚠ Warning ⚠

1. **ALWAYS** read all warnings and instructions before each use of tripod. Failure to read all warnings and instructions before each use of tripod may result in serious injury or death.
2. Remove all contents from box. Remove all cardboard from the product. Inspect for any damaged or missing pieces. **DO NOT** assemble or use tripod if any parts are missing or damaged. Using the tripod with missing or damaged parts may result in serious injury or death. Missing or damaged parts may be obtained from the address and phone number listed below.
3. **DO NOT** use tripod if any bolts or nuts are loose, bent or crooked.
4. Be sure to retighten all bolts before each new use of tripod.
5. Weight limit of this tripod is **300 lbs**. **DO NOT** use tripod if you or your combined weight with any accessories are more than **300 lbs**. Using this tripod when over **300 lbs**. may result in serious injury or death.
6. **NEVER** use tripod if you have dizzy spells, a heart condition, are afraid of heights, have been advised by a doctor or other healthcare provider not to climb, or have any condition that would impair your ability to climb up or down or use tripod as it could result in serious injury or death. Please consult a physician prior to use.
7. **DO NOT** use tripod under the influence of alcohol, medication, or any illegal substances. Using the tripod while under influence of any of these substances may result in serious injury or death.
8. **NEVER** use tripod during inclement weather. **DO NOT** use tripod during thunderstorms or any other weather conditions that included (but not limited to) lightning, freezing rain that could create slippery or dangerous conditions.
9. **DO NOT** use the tripod unless the ground is dry or level. Failure to use tripod when the ground is dry or level may result in serious injury or death.
10. **DO NOT** leave your tripod outside all year round. It must be stored inside when not in use.
11. **NEVER** climb tripod with your weapon. Make sure that the unloaded firearm gun barrel is pointed toward the ground when raising or lowering it to your stand. Always use a safe hoist/lift system on the opposite side of the tree from which you are climbing.
12. **ALWAYS** unload your weapon and use safety lock while raising or lowering your weapon. Failure to unload your weapon may result in serious injury or death.
13. **ALWAYS** have a communication device on your person and easily accessible. Immediate access to another person may save your life. In the event of an accident, a rescue plan must be in place and able to be incorporated immediately.
14. **DO NOT** fall asleep in your stand as you may potentially fall out resulting in serious injury or death.