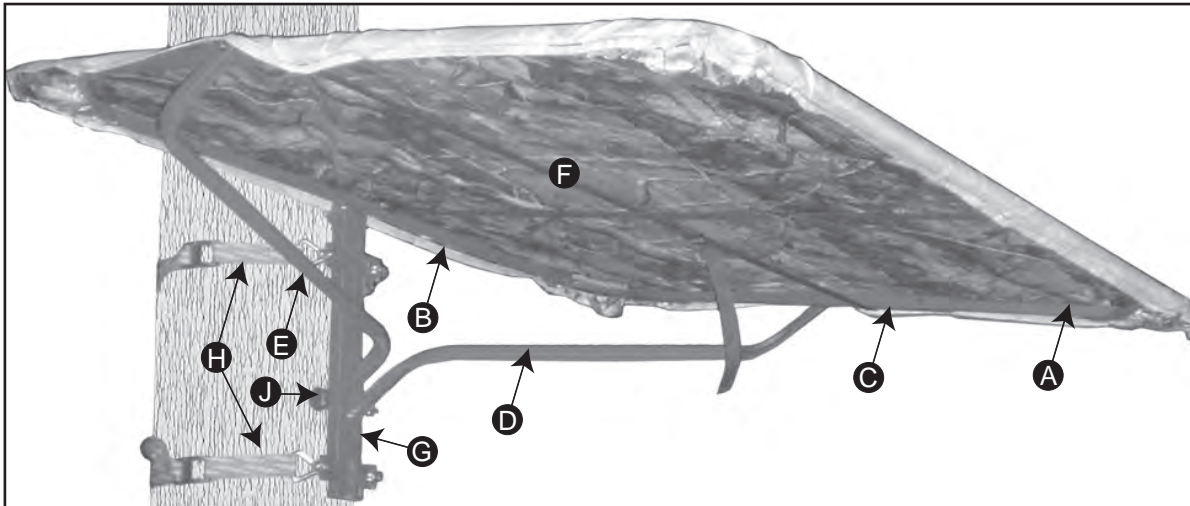


Model: HEH00090

## Roof Kit

- Always Wear A Safety Harness With This Product



### Parts List

<b>A</b>	1 Front Rail Section	Part # RK-9000
<b>B</b>	1 Rear Rail Section	Part # RK-9005
<b>C</b>	2 Sleeve	Part # RK-9010
<b>D</b>	1 Left Rail Support Brace	Part # RK-9015
<b>E</b>	1 Right Rail Support Brace	Part # RK-9020
<b>F</b>	1 Fabric Cover	Part # RK-9025
<b>G</b>	1 Tree Brace Support	Part # RK-9030
<b>H</b>	2 J-Hook Buckle Assy	Part # RK-9035
<b>J</b>	1 M6 Knob	Part # 1600
<b>65</b>	1 M6x65mm Bolt	Part # 1665
<b>40</b>	2 M6x40mm Bolt	Part # 1640
<b>25</b>	2 M6x25mm Bolt	Part # 1625



Thank you for purchasing the Comfort Zone Roof Kit by Primal Vantage Company Inc. The Roof Kit does require some minor assembly. You will find detailed instructions with your roof kit. The following instructions will tell you how to assemble and use your roof kit. Every year hunters are seriously injured in treestand accidents. Please carefully read and follow these instructions. For customer service call 1-800-722-7345 and ask for Primal Vantage or visit [www.treestandcustomerservice.com](http://www.treestandcustomerservice.com).

### ⚠ Warning ⚠ Warning ⚠ Warning ⚠

1. **ALWAYS** read all warnings and instructions before each use of roof kit. Failure to read all warnings and instructions before each use of roof kit may result in serious injury or death.
2. Remove all contents from box. Remove all cardboard from the product. Inspect for any damaged or missing pieces. **DO NOT** assemble or use roof kit if any parts are missing or damaged. Using the roof kit with missing or damaged parts may result in serious injury or death. Missing or damaged parts may be obtained from the address and phone number listed below.
3. **DO NOT** use roof kit if any bolts or nuts are loose, bent or crooked. Be sure to retighten all bolts before each new use of roof kit.
4. **ALWAYS** use a full body safety harness when installing this roof kit. Failure to use a full body safety harness may result in serious injury or death.
5. **NEVER** use roof kit or ladder stand if you have dizzy spells, a heart condition, are afraid of heights, have been advised by a doctor or other healthcare provider not to climb, or have any condition that would impair your ability to climb up or down or use roof kit or ladder stand as it could result in serious injury or death. Please consult a physician prior to use.
6. **DO NOT** use roof kit or ladder stand under the influence of alcohol, medication, or any illegal substances. Using the roof kit or ladder stand while under influence of any of these substances may result in serious injury or death.
7. **NEVER** use roof kit during inclement weather. **DO NOT** use roof kit during thunderstorms or any other weather conditions that include (but not limited to) lightning, freezing rain, or high winds that could create slippery or dangerous conditions.
8. **NEVER** use roof kit on a tree that is dead, diseased, leaning, or on wet and uneven ground as the tree may fall, break, or uproot and may result in serious injury or death.
9. **DO NOT** leave your roof kit outside all year round. It must be stored inside when not in use.
10. **DO NOT** stand on treestand seat platform, rails etc. when installation the roof kit. Stand on the foot platform **ONLY** as per manufacturer's instructions.
11. **NEVER** strap roof kit to any part of the ladderstand. Install only on a healthy live tree.
12. **ONLY** Use roof kit on trees with a minimum diameter of 9" and maximum of 20".
13. **ALWAYS** have a communication device on your person and easily accessible. Immediate access to another person may save your life. In the event of an accident, a rescue plan must be in place and able to be incorporated immediately.
14. **NEVER** lean, stand, climb, or hang on roof kit.
15. **ALWAYS** set up treestand according to manufacturer's instructions first. Then raise roof kit using a safe hoist/lift system.



Wrench

M6x25mm



M6x65mm



M6 Knob

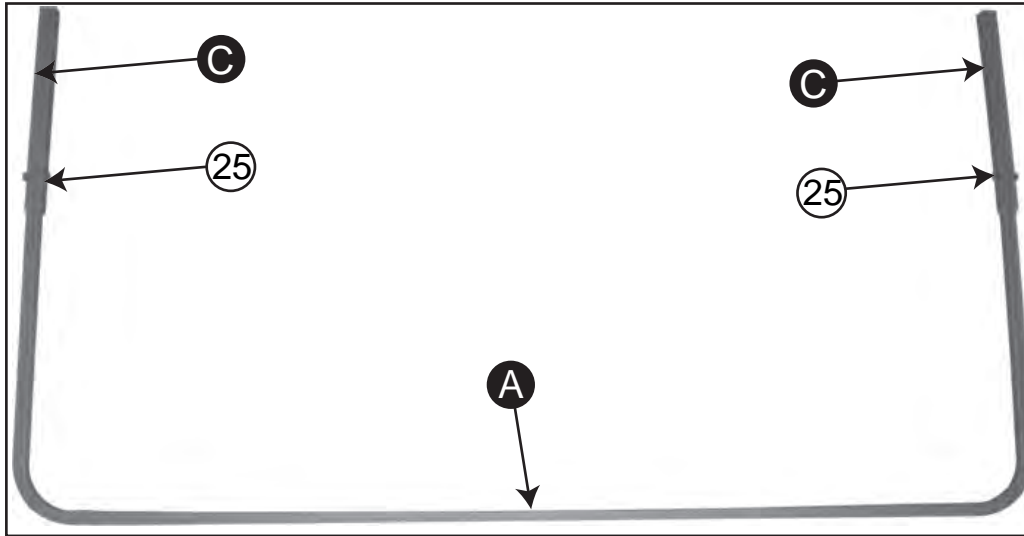


M6x40mm

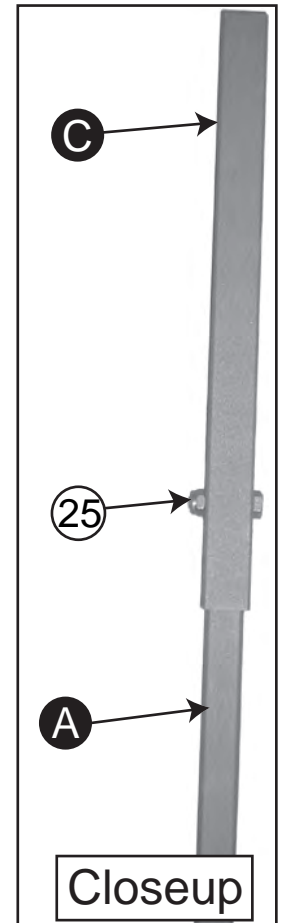
## HEH00090 Hardware

- |   |              |        |      |
|---|--------------|--------|------|
| 1 | M6x65mm Bolt | Part # | 1665 |
| 2 | M6x40mm Bolt | Part # | 1640 |
| 2 | M6x25mm Bolt | Part # | 1625 |
| 1 | M6 Knob      | Part # | 1605 |

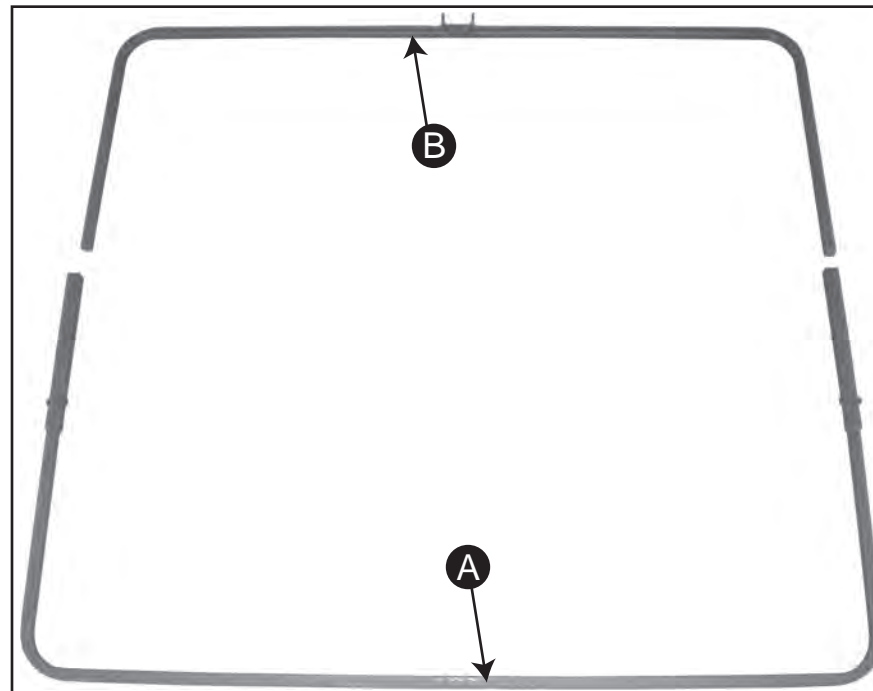
# HEH00090 Assembly Instructions Page 1

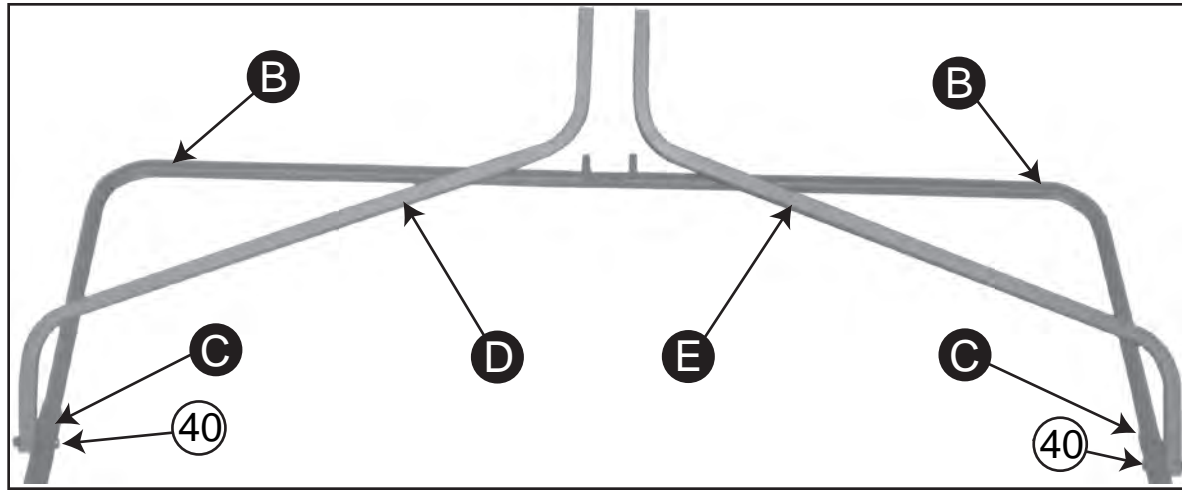


1. Slide Sleeve **C** onto Front Rail Section **A**. Attach Sleeve to Front Rail Section by inserting **1-M6x25mm bolt** on both sides.

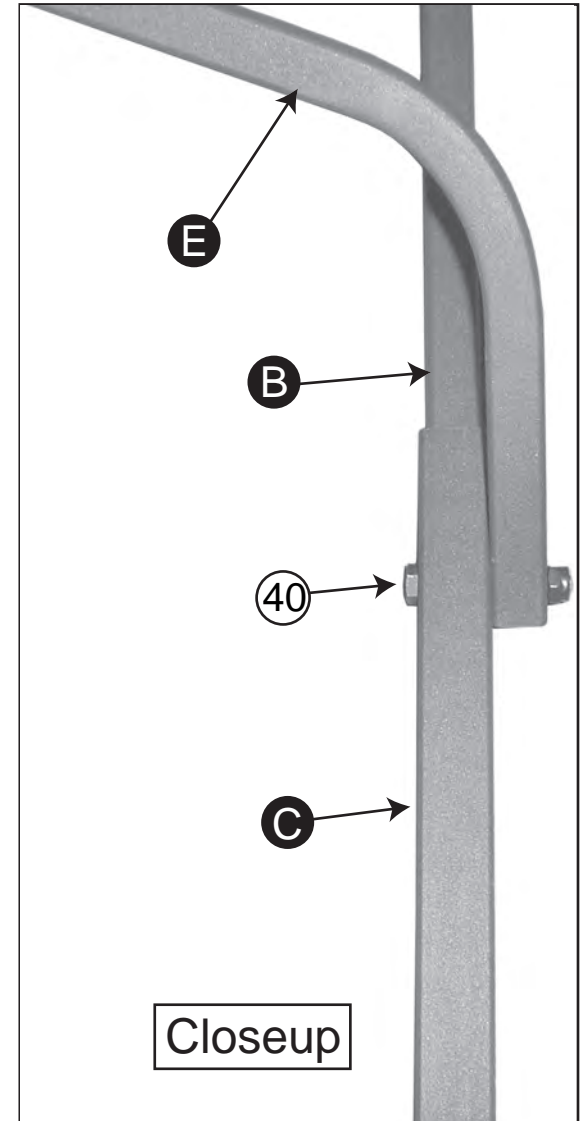


2. Slide Rear Rail Section **B** into Front Rail Section **A**.

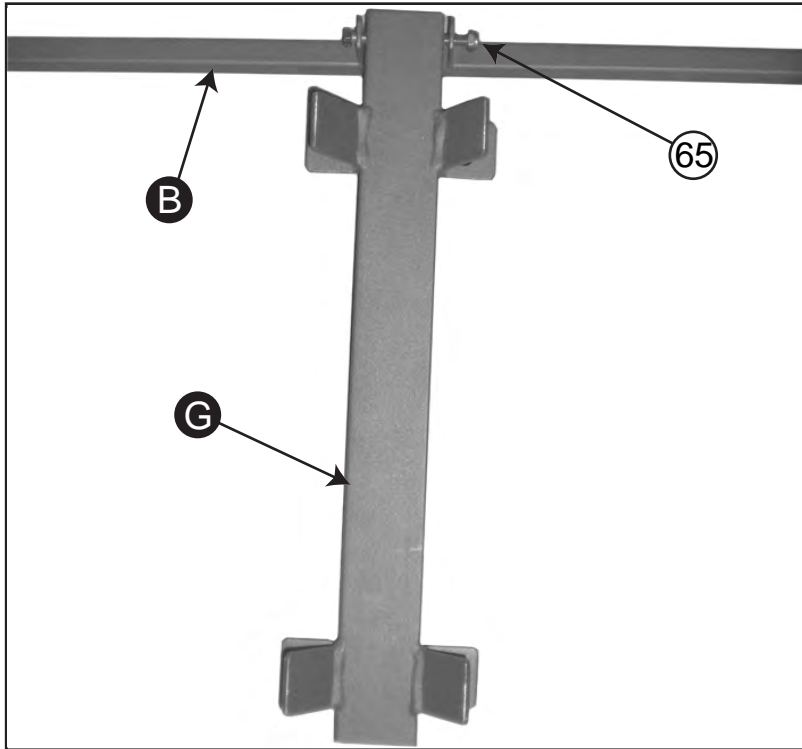




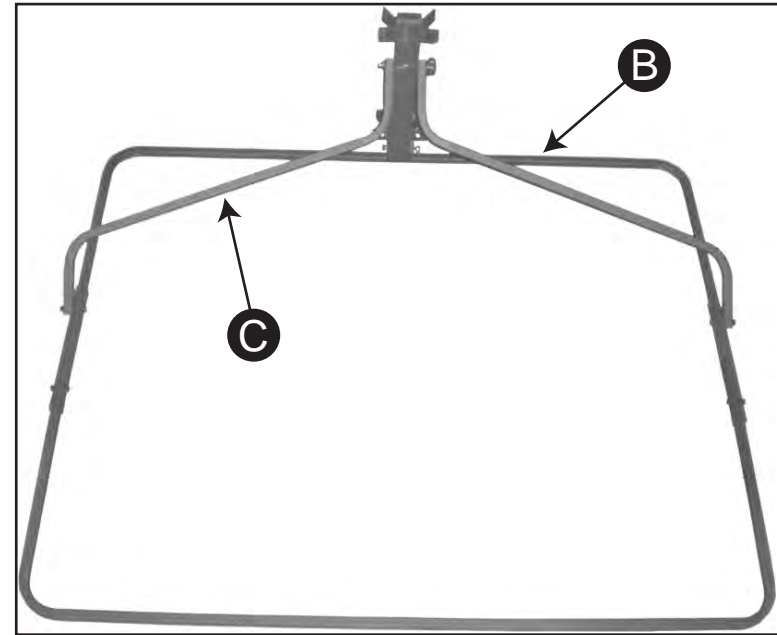
3. Attach Left Rail Support **D** to the Sleeve **C** . Insert **1-M6x40mm bolt** through the Sleeve, Rear Rail Section then the Left Rail Support. Repeat on opposite side for Right Rail Support **E** .



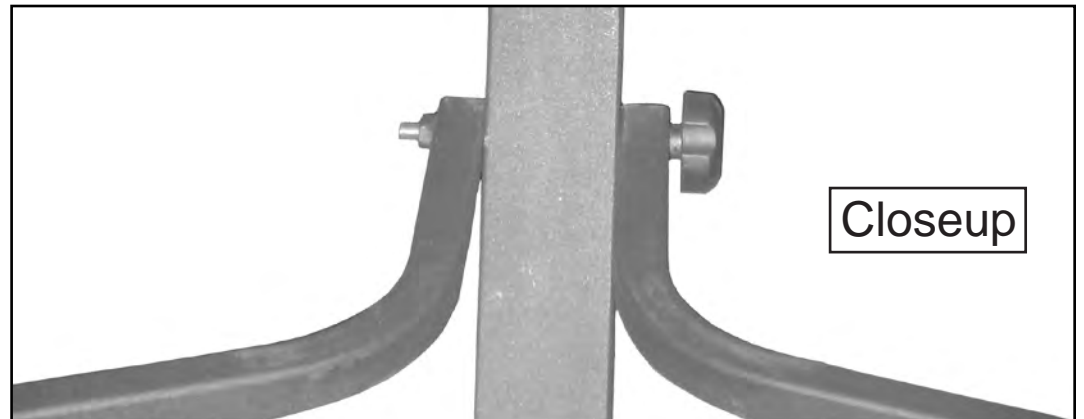
# HEH00090 Assembly Instructions Page 3



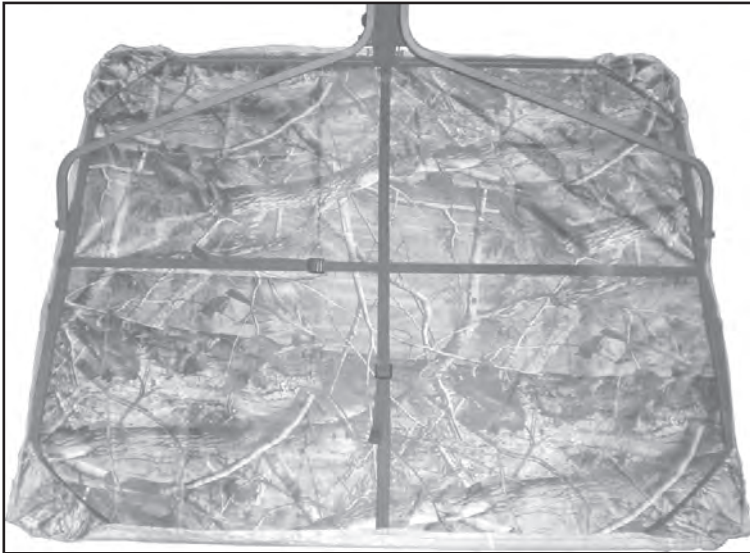
4. Attach Rear Rail Section **B** to Tree Brace Support **G** using **1-M6x65mm bolt**



5. Insert Knob **J** through Right Rail Support Brace, through Tree Brace Support, into the Left Rail Support Brace.



## HEH00090 Assembly Instructions Page 4



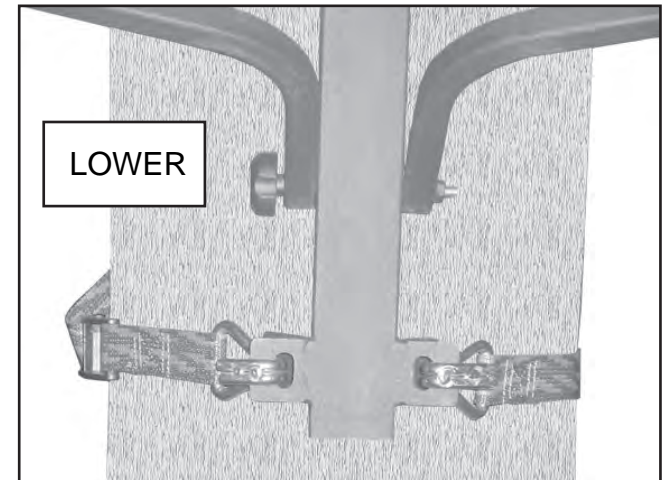
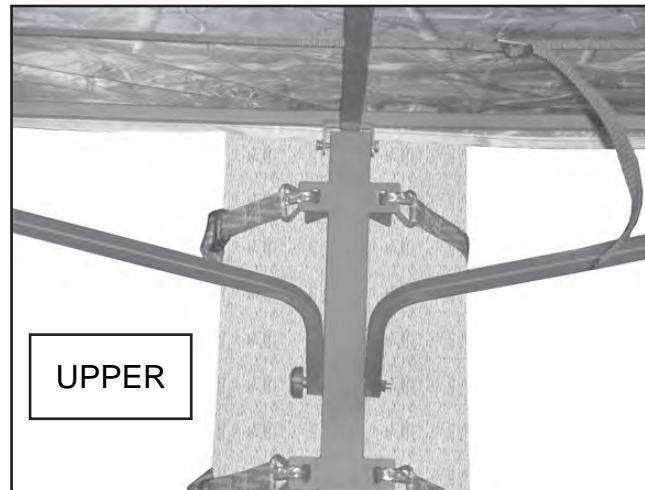
### ⚠ WARNING ⚠

You *MUST* use a Hoist system to lift the Roof to the Stand for installation  
*DO NOT* climb the Ladder with the Roof and Blind in Hand

### ⚠ WARNING ⚠

*NEVER* stand on seat platform to attach roof. Raise flip-up seat platform to move closer to tree.

6. Attach Fabric Cover **F** to assembled rail frame by tucking the rounded corners of the frame into the pockets sewn at each corner of the fabric cover. (See Buckle Instructions to tighten the straps).



7. Raise the Roof and Blind Assembly to the tree by using a safe hoist/Lift system to 3 feet above the shooting rail of your treestand.

**DO NOT** stand on seat platform to install roof.

Attach the Tree Brace Support **G** using the two J-Hook Buckle Straps **H**. Attach one strap to the bracket on the upper part of the Tree Brace Support, wrap the strap around the back of the tree once and insert the other end of the strap into the other bracket of the Tree Brace Support. Pull the strap tight until the strap is tight against the tree. Attach one strap to the bracket on the lower part of the Tree Brace Support, wrap the strap around the back of the tree once and insert the other end of the strap into the other bracket of the Tree Brace Support. Pull the strap tight until the strap is tight against the tree.

# DETAILED BUCKLE AND STRAP INSTRUCTIONS



Fig. 1

1. Hold buckle as shown in Fig. 1

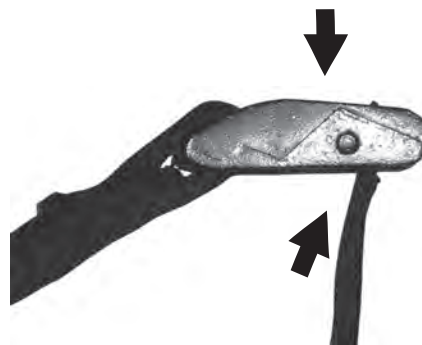


Fig. 2

2. Press down on latch and insert strap underneath teeth as shown in Fig. 2.



Fig. 3

3. Pull strap to desired length.



Fig. 4

4. Pull slack to tighten.  
(See Fig. 4)